

AeraMax® Pro AM II



CUSTOMER SERVICE & SUPPORT

www.fellowes.com

Europe Freephone: 00800-1810-1810
 Benelux: +31-(0)-13-458-0580
 Deutschland: +49 (0)511 545489-0
 France: +33 (0) 1 78 64 91 00
 Italia: +39-071-730041
 Polska: +48 (22) 205-21-10
 España/Portugal: +34-91-748-05-01
 United Kingdom: +44 (0) 1302 836836

Declaration of Conformity

Fellowes Manufacturing Company

Yorkshire Way, West Moor Park, Doncaster, South Yorkshire, DN3 3FB, England

Declares that the product AeraMax® AMII Pro conforms to the following requirements:

[2011/65/EU+2015/863/EU] Restriction of Hazardous Substances Directive [2014/30/EU] Electromagnetic Compatibility Directive
 [2012/19/EU] Electrical Product Waste Reduction Human Exposure to Electromagnetic Fields
 [2014/35/EU] Low Voltage Directive

To the following harmonized European Names (EN Standards) and IEC Standards.

EN 55014-1	EN 60335-2-65	EN 61000-3-3
EN 55014-2	EN 61000-3-2	EN 62233
EN 60335-1		

And to the following standards:

PPP 76001:2008 incl. AFPS GS 2014:01 PAK
 AS/NZS CISPR 14.1:2003
 German Equipment and Product Safety Act Section 7 Subsection 1 Sentence 2 GPSG

Itasca, Illinois, USA
 June 1, 2019

John Fellowes
 President & CEO

AERA MAX®

PROFESSIONAL

Air Purifier | Purificateur d'air | Purificador de aire | Luftreiniger

Purificatore d'aria | Luchtreiniger | Luftrenare | Luftrenser | Ilmanpuhdistin

Luftrenser | Oczyszczacz powietrza | Воздухоочиститель | Ιονιστής

Hava Filtresi | Čistička vzduchu | Čistič vzduchu | Légtisztító | Purificador de ar



Please read these instructions before use.
 Do not discard: keep for future reference.

Lire ces instructions avant utilisation.
 Ne pas jeter : conserver pour référence ultérieure.

Lea estas instrucciones antes de usarlo.
 No las deseche: guárdelas para tenerlas como referencia.

Diese Anleitungen vor Gebrauch genau durchlesen.
 Bitte nicht entsorgen: Zur späteren Bezugnahme aufheben.

Prima dell'uso, si raccomanda di leggere questo manuale di istruzioni.
 Conservare il manuale per consultarlo secondo le necessità.

Deze instructies voor gebruik lezen.
 Niet weggooien, maar bewaren om later te kunnen raadplegen.

Läs dessa anvisningar innan du använder apparaten.
 Släng inte bort, behåll för framtida bruk.

Læs venligst denne vejledning før anvendelse.
 Bør ikke bortkaffes. Behold for fremtidig henvisning.

Lue nämä ohjeet ennen käyttöä.
 Älä hävittää: säilytä myöhempää käyttöä varten.

Vennligst les nøye igjennom denne bruksanvisningen før bruk.
 Ikke kast den: Ta vare på den for senere referanse.

Przed użyciem proszę zapoznać się z tą instrukcją.
 Nie wyrzucać - zachować jako źródło informacji na przyszłość

Перед началом эксплуатации обязательно прочтите данную инструкцию.
 Не выбрасывайте данную инструкцию: сохраните ее для последующего использования.

Παρακαλείσθε να διαβάσετε αυτές τις οδηγίες πριν χρησιμοποιήσετε το προϊόν.
 Μην τις απορρίψετε: κρατήστε τις για μελλοντική αναφορά.

Kullanmadan önce lütfen bu talimatları okuyun.
 Atmayın: ileride başvurmak üzere saklayın.

Před použitím si přečtěte tyto pokyny.
 Nelikvidujte: uschovejte pro budoucí použití.

Pred použitím si prečítajte tieto pokyny.
 Nezhadzujte: odložte pre budúce použitie.

Kérjük, hogy használat előtt olvassa el az utasításokat!
 Az utasításokat ne dobja ki; tartsa meg referenciaanyagként való jövőbeni használatra.

Leia estas instruções antes da utilização.
 Não as deite fora: conserve-as para consulta futura.

Fellowes
 Brands™

1789 Norwood Avenue, Itasca, Illinois 60143 • 1-800-955-0959 • www.fellowes.com

© 2019 Fellowes, Inc. | Part #411645

ENGLISH

AeraMax® PRO Commercial-Grade Air Purifier: AM II

SAFETY INSTRUCTIONS/WARNING

Thank you for purchasing the AeraMax® PRO AM II.

Please read and save these instructions. Read carefully before attempting to operate or maintain this product. Protect yourself and others by observing all safety information. Failure to comply with instructions could result in personal injury and/or property damage. Retain instructions for future reference.

IMPORTANT CAUTIONS AND INSTRUCTIONS FOR USING AIR PURIFIER:

WARNING: Follow the instructions in this manual to reduce the risk of electric shock, short circuit, and/or fire:

- Do not use this air purifier as sole protection against harmful pollutants.
- Use this unit only in the manner intended by the manufacturer. If you have questions, contact the manufacturer.
- Do not repair or modify the unit unless specifically recommended in this manual. All repairs should be completed by a qualified technician.
- Do not alter the plug in any way. If the plug does not fit into the outlet, reverse the plug. If it still does not fit, contact a qualified technician to install a proper outlet.
- Do not use if the power cord or plug is damaged or the connection to the wall outlet is loose.
- Do not damage, break, forcefully bend, pull, twist, bundle, coat, pinch, run under carpets, cover with throw rugs or place heavy objects on the power cord.
- Periodically remove dust from the power plug. This will reduce the chance that humidity will accumulate, which increases the risk of electric shock.
- Remove the power plug from the outlet before cleaning the unit. When removing the power plug, grasp by holding the plug itself, never hold by the cord.
- Remove the power plug from the outlet when the unit is not in use.
- Do not handle the power plug with wet hands.
- Use only the electrical power (voltage and frequency) specified for the model air purifier being installed.
- Do not obstruct the air inlet or air outlet of the air purifier.
- Do not use unit without filters installed.
- Do not wash and reuse any of the filters.
- Do not use attachments or filters other than AeraMax® PRO brand, as unit will not function.
- Do not spray aerosols on, or into the unit.
- Prior to cleaning or other maintenance, the appliance must be disconnected from the supply mains
- Do not use detergent to clean the unit.
- Do not insert fingers, liquids, or foreign objects into the air intake or outlet.
- Do not use the unit for anything other than air purification.
- If the supply cord is damaged, it must be replaced by the manufacturer, its service agent or similarly qualified persons in order to avoid a hazard.
- This appliance can be used by children aged from 8 years and above and persons with reduced physical, sensory or mental capabilities or lack of experience and knowledge if they have been given supervision or instruction concerning use of the appliance in a safe way and understand the hazards involved. Children shall not play with the appliance. Cleaning and user maintenance shall not be made by children without supervision

In Germany Only.

- Use only permitted outside of Zone 2.
- The unit should be used with a residual current protective devices (RCDs) with a rated residual operating current not exceeding 30 mA.

LIMITED PRODUCT WARRANTY

Limited Warranty: Fellowes, Inc. ("Fellowes") warrants the AeraMax® PRO air quality control system (the "Product") to be free of defects in material and workmanship for 3 years from date of purchase. In the event that the Product is installed into new construction, the warranty period shall commence on the date of the occupancy permit or one year after the date of purchase, whichever is earlier. If any part is found to be defective during the warranty period, your sole and exclusive remedy will be repair or replacement, at Fellowes' option and expense, of the defective part. This warranty does not cover damage caused by use of non-Fellowes approved filters or failure to follow the recommended replacement schedule. This warranty does not apply in cases of abuse, mishandling, failure to comply with product usage standards, operation using an improper power supply (other than listed on the label), or unauthorized repair. Fellowes reserves the right to charge the consumers for any additional costs incurred by Fellowes to provide parts or services outside of the country where the Product was initially sold by an authorized reseller. This warranty does not cover replaceable filters. In the event that the Product is not readily accessible to Fellowes designated service personnel, Fellowes reserves the right to supply customer with replacement parts or Product in full satisfaction of its obligations under this warranty and any service obligations. ANY IMPLIED WARRANTY, INCLUDING THAT OF MERCHANTABILITY OR FITNESS FOR A PARTICULAR PURPOSE, IS HEREBY LIMITED IN DURATION TO THE APPROPRIATE WARRANTY PERIOD SET FORTH ABOVE. In no event shall Fellowes be liable for any consequential, incidental, indirect or special damages. This warranty gives you specific legal rights. The duration, terms, and conditions of this warranty are valid worldwide, except where different limitations, restrictions, or conditions may be required by local laws.

PACKAGING CONTENTS

- AeraMax® PRO Commercial-Grade Air Purifier
- 1.75" Hybrid Filter (includes 1.75" True HEPA & 1.75" Activated Carbon)
- Wall mount screws (4) and washers (2)
- Drywall Anchors
- Registration information
- Wall Mounting Template

PRODUCT SPECIFICATIONS

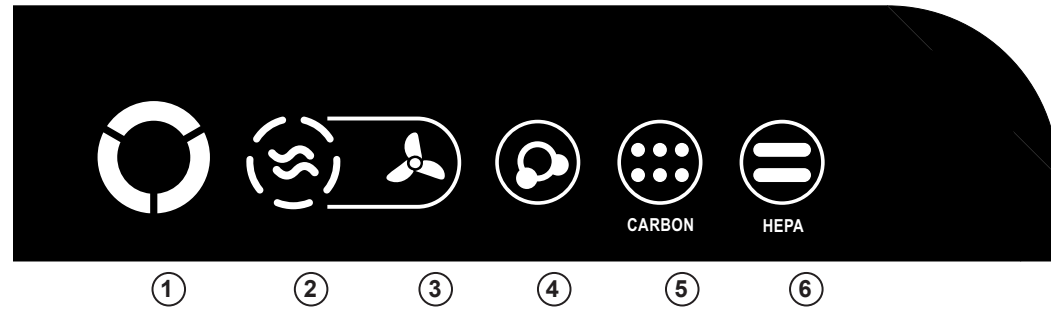
AeraMax® PRO AM II	
Dimensions (H x W x D)	22.6 x 14 x 4 inches / 57.4 x 35.6 x 10.2 cm
Weight of System (including filters)	11.9 lbs. / 5.38 kg
Power Requirements	220-240 volt, 50 Hz, 0.55 amp
Power Consumption (5 fan speeds)	5, 8, 13, 41, 71 watts
Air Delivery (5 fan speeds)	35, 43, 51, 64, 100 CFM*
Decibels	45, 48, 51, 60, 64 dB
Display	Capacitive Touch
Sensors	EnviroSmart™
Sensor Controlled Operation Modes	2 Primary modes - Auto Mode and Manual Mode
Supplied Filters	(1) 1.75" Hybrid Filter (includes 1.75" True HEPA & 1.75" Activated Carbon) with an estimated average filter life of 1 year. (1) prefilter, estimated life 3 months.
Cleaning System	Hybrid filter includes High Efficiency Particulate Air (HEPA) filter rated efficiency of 99.97% of airborne particulate at 0.3 microns. Carbon Filter adsorbs odor and volatile organic compounds, PlasmaTRUE™ bipolar ionizer.
*CFM tested with hybrid filter and machine in vertical orientation.	

REPLACEMENT FILTERS

Carbon Boosters	Additional granular activated carbon filters. Average filter life 6 months: 9544402 - 2 sets
1.75" True HEPA	True HEPA filter replacement with AeraSafe™ treatment. Average filter life 2 years: 9544301 - 1 pack
1.75" Carbon	Carbon Granular activated carbon replacement filter. Average filter life 1 year: 9544601 - 1 pack
1.75" Hybrid	1.75" True HEPA and 1.75" Carbon with hybrid replacement filter. Average filter life 1 year: 9544501 - 1 pack

For additional replacement filter and accessory information please visit: www.aeramaxpro.com

DISPLAY PANEL



NOTE: Manual mode will not be available for 1 minute upon initial power-up.

- 1 AIR QUALITY SENSOR** – This indicator monitors the air quality and adjusts the fan speed to keep your air purified. Blue indicates a low level of contaminants detected, amber indicates a moderate level of contaminants and red indicates a high level of contaminants.
- 2 AUTO MODE** – To select, press and hold the button until icon illuminates. This mode monitors air quality, motion, and noise level to adjust the fan speed in order to keep your air purified as quickly as possible. The fan has 5 speeds and can reach turbo speed to clean the room in the case of high levels of contaminant. The number of tick marks illuminated around this icon indicates fan speed. When Quiet Mode is selected, the Auto Mode indicator will be purple. The machine will continue to use EnviroSmart™ but only utilizes the 3 lowest, most quiet of the 5 fan speeds. This button also includes QUIET MODE. To select, press and hold until the button turns purple. The machine will continue to use EnviroSmart™ but only utilizes the 3 lowest, most quiet of the 5 fan speeds.
- 3 MANUAL MODE** – To select, press the button until icon illuminates. This mode allows you to choose one of the 5 fan speeds and keep the unit at this speed until AUTO MODE is chosen again. The internal sensors will not adjust the fan speed in this mode. The number of tick marks illuminated around the AUTO MODE icon indicates fan speed.
- 4 PlasmaTRUE™ TECHNOLOGY** – Creates an ionized field to help safely remove airborne pollutants. To turn on and off the PlasmaTRUE™ TECHNOLOGY, touch and hold the PLASMA indicator. A blue light illuminates when the PlasmaTRUE™ TECHNOLOGY is enabled. To disable the PlasmaTRUE™ TECHNOLOGY, press and hold “Plasma” indicator until light is off.
- 5 CARBON FILTER REPLACEMENT INDICATOR*** – If the light is red this indicates the filter needs replacing. The replacement period will vary depending on the filters used, hours of use, air quality, and rate of air flow. For filter replacement indicator descriptions see FILTER REPLACEMENT section.
- 6 HEPA FILTER REPLACEMENT INDICATOR*** – If the light is red this indicates the filter needs replacing. The replacement period will vary depending on the filters used, hours of use, air quality, and rate of air flow. For filter replacement indicator descriptions see FILTER REPLACEMENT INDICATORS section.

*Note - if hybrid filter is being used, both the HEPA and Carbon indicators will be lit.

OPERATION

The air purifier continuously works in automatic mode; The air purifier will operate through the 5 levels of speeds in order to clean room of contaminants. Once air is cleaned, and no sensors are activated, the unit lowers to energy saving mode to reduce energy consumption and extend the life of the filters.

When Manual Mode is selected the Manual indicator on the control panel will be blue. This mode allows you to choose one of the 5 fan speeds and keep unit at this speed until Auto Mode is chosen/selected.

INSTALLATION

Please read instructions carefully before installing unit.

SAFETY

WARNING:

Be mindful of machine placement in relation to electric socket (cord length approx 5' 5").

To avoid the risk of electrocution confirm the electrical supply has been disconnected or switched off before beginning any installation work.

Confirm no electrical wiring, utility pipes, or duct work is located directly behind the installation / drilling area.

It is strongly recommended at least 2 mounting points for the air purifier be mounted to an existing stud. Requires 2 people for installation.

Follow Mounting Main Assembly Section instructions.

TOOLS RECOMMENDED FOR INSTALLATION

- Electric drill, drill bits (not included)
- # 2 Phillips and # 2 Flat Head screw drivers (not included)
- Wire nuts (not included)
- Level (not included)
- Stud finder

PARTS PROVIDED FOR INSTALLATION

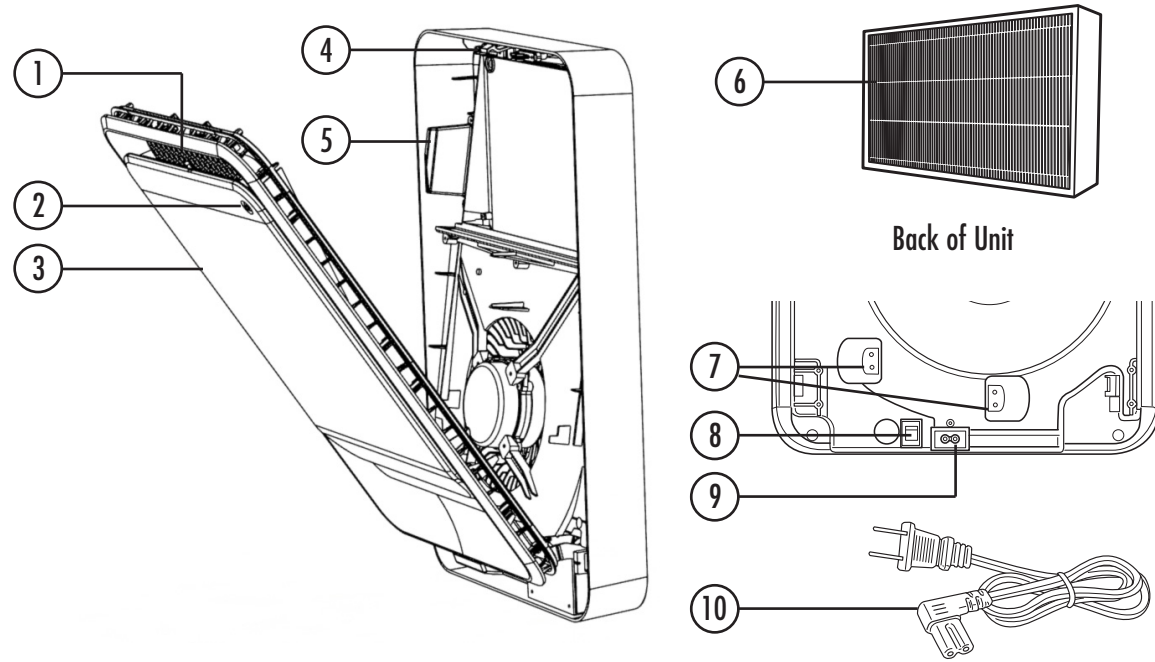
- Drywall Anchors - 10mm OD
- Pan Head Phillips Screws

PRODUCT INSTALLATION GUIDELINES

If air purifier is being mounted high on the wall make sure the top edge of the unit is positioned at least 8" inches (21 cm) below the ceiling to allow for filter replacement.

KEY

1. Control Panel
2. Motion Sensor
3. Front Access Panel
4. Access Panel Latch
5. Certified Filter Sticker
6. Hybrid filter with prefilter
7. Cord Management
8. Power Switch
9. Power Cord Socket
10. IEC Plug



SET UP - Reference KEY section

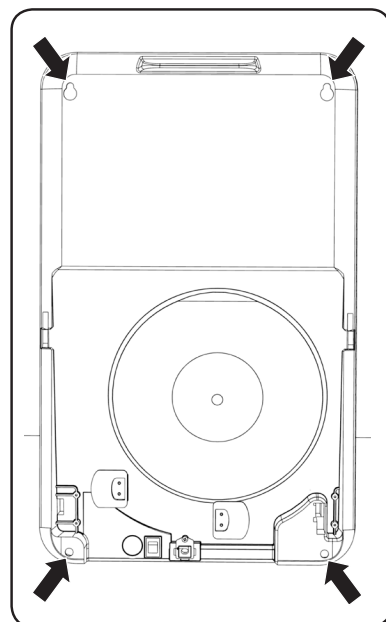
1. Open unit by pressing the access panel latch (4) down while pulling the front access panel towards you.
2. Remove bag from filter and place back in unit.
3. Plug the IEC plug (10) into the power cord socket (9) on the back of the unit.

MOUNTING MAIN ASSEMBLY

1. Choose an area to mount the unit near a standard outlet receptacle (Cord length approximately 1.6 meters).
2. Using the mounting template, mark the wall with the 4 mounting locations. If mounting location is over an existing stud, no preparation needed. If mounting location is over drywall only or other surface requiring additional support, use anchors.
3. [Anchor use only] To use anchors, drill a 10mm hole in the mounting hole location(s) and install anchors into wall.
4. Install the top 2 screws leaving approximately 1/4" (6mm) from the head of the screw to the wall. Do not install screws all the way.
5. Hang the unit on the screws installed in previous step using the top key-hole mounting holes.
6. Open the front door of the unit and install the 2 bottom screws into the bottom mounting locations.
7. Tighten all 4 screws until flush.
8. Place the (2) provided stickers over the inside top mounting hole locations to maximize performance.
9. Remove the filter(s) from their packaging and install them in the unit Note: The "AeraMax Pro Certified Filter Sticker" on the filter must align with the identical sticker found on the unit. If the filter is not installed properly, the unit will not power on.
10. Plug the power cord into standard outlet receptacle.
11. Reach behind the unit on the back bottom right to access the power switch and turn unit on.

Note: Manual mode will not be available for 1 minute upon initial power-up.

4 Mounting Locations



CARE AND MAINTENANCE

CLEANING:

- Clean external housing as necessary by wiping with a dry, soft cloth; for stains, use a warm, damp cloth.
- Do not use volatile fluids such as benzene, paint thinner, scouring powder or other cleaners that may damage the unit surface.
- Clean intake and exhaust vents by wiping with a dry, soft cloth.

FILTER REPLACEMENT:

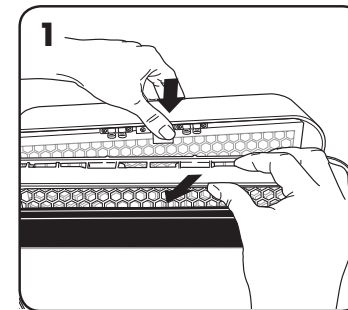
The replacement filter indicators will signal when to replace the HEPA Filter and/or Carbon filters. The replacement period will vary depending on the hours of use, air quality, and rate of air flow. However, under normal usage, most HEPA filters need to be replaced every 1 year, Carbon filters every 6 months, and Hybrid filters every 1 year. When a filter needs to be replaced the following color will be shown on any one of the HEPA or CARBON filter replacement indicators:

Amber flashing = 90% filter wear (recommendation to order new filters)

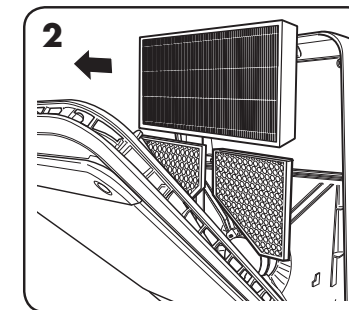
Red = 100% filter wear (replace with new filters)

Do not wash and reuse any of the filters – they will not work effectively. Only use AeraMax® PRO brand replacement filters as units will not function using any other replacements.

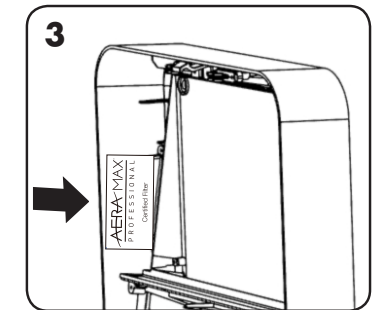
FILTER REPLACEMENT PROCEDURE:



1. Press the access panel latch down while pulling front panel towards you.



2. Remove old filter(s). 3. When inserting new filters, be sure to remove the plastic bag. When inserting the hybrid filter, make sure the green prefilter is over the black carbon side and insert that side first with the white HEPA facing out. When inserting new Hybrid or HEPA filters, align the AeraMax® PRO Certified Filter stickers on the filter and the inside of the unit. The arrow should point towards the back of the unit. Reference (5) on the KEY section.



FILTER LIGHT RESET:

When installing a new filter the unit will automatically detect the filter type but the user will have to manually reset the filter replacement indicators. To reset any of the filter replacement indicators, press and hold filter type button that was replaced (HEPA or Carbon) until the light turns off. Repeat for other filter types as needed. When replacing the hybrid filter, reset both the HEPA and carbon indicator lights.

TROUBLESHOOTING

PROBLEM:	POSSIBLE SOLUTION:
The air quality control system fails to start.	<ul style="list-style-type: none"> • Check to assure unit is connected to power supply. • Make sure filters are genuine AeraMax® PRO filters, as unit will not function with other brands. IMPORTANT: Make sure to align the AeraMax PRO Certified Stickers on the filter and the inside of the unit. The arrows should point towards the back of the unit. • Review Filter Replacement Method section for further detail. • Make sure front access panel is closed completely. • Make sure power switch is on.
The unit makes a faint ticking sound.	<ul style="list-style-type: none"> • This indicates that the "PlasmaTRUE™" bipolar ionizer is working.
The HEPA and/or Carbon Filter replacement indicator light remain lit after replacing the filter(s).	<ul style="list-style-type: none"> • Repeat filter light reset instruction.

FRANÇAIS

Purificateur d'air commercial AeraMax® PRO : AM II

CONSIGNES DE SÉCURITÉ/AVERTISSEMENT

Nous vous remercions pour votre acquisition de l'AeraMax® PRO AM II.

Merci de lire et de conserver ces instructions. Lire attentivement avant toute tentative d'utilisation ou d'entretien de ce produit. Protégez-vous et protégez les autres en respectant les consignes de sécurité. Tout manquement à ces instructions peut entraîner des blessures et/ou des dégâts matériels. Conservez ces consignes pour pouvoir vous y référer à l'avenir.

PRÉCAUTIONS ET CONSIGNES IMPORTANTES D'UTILISATION DU PURIFICATEUR D'AIR :

AVERTISSEMENT : Suivre les instructions de ce manuel pour réduire le risque de décharges électriques, de court-circuit et/ou d'incendie :

- Ne pas utiliser ce purificateur d'air comme moyen unique de protection contre les polluants nocifs.
- Cet appareil ne peut être utilisé autrement que pour l'usage prévu par le fabricant. Pour toute question, veuillez contacter le fabricant.
- Ne pas réparer ni modifier l'appareil à moins de recommandation spécifique présente dans ce manuel. Toutes les réparations doivent être effectuées par un technicien qualifié.
- Ne modifier la fiche d'aucune façon. Si la fiche n'entre pas dans la prise, l'inverser. Si elle n'entre toujours pas, demander à un technicien qualifié d'installer une prise appropriée.
- Ne pas utiliser l'appareil si son cordon d'alimentation ou sa fiche sont endommagés ou si la connexion à la prise murale est lâche.
- Veiller à ne pas endommager le cordon d'alimentation ; ne pas le couper, le courber avec force, le tirer, le tordre, le rouler serré, l'enduire, le pincer, l'installer sous de la moquette, le recouvrir par des tapis ni poser d'objets lourds dessus.
- Retirer de temps en temps la poussière accumulée sur la fiche. Ceci permettra de réduire les risques d'accumulation d'humidité et par conséquent les risques de décharges électriques.
- Retirer la fiche de la prise électrique avant de nettoyer l'appareil. Pour retirer la fiche de la prise électrique, ne jamais tirer sur le cordon ; saisir la fiche elle-même.
- Retirer la fiche de la prise électrique quand l'appareil n'est pas utilisé.
- Ne pas manipuler la fiche avec les mains mouillées.
- Utiliser uniquement l'alimentation électrique (voltage et fréquence) spécifiés pour le modèle de purificateur d'air installé.
- Ne pas obstruer les sorties ou les entrées d'air du purificateur.
- Ne pas utiliser sans filtres.
- Ne pas laver puis réutiliser aucun des filtres.
- N'utiliser aucun accessoire ou filtre autre ceux de la marque AeraMax® PRO, car l'appareil ne fonctionnerait pas.
- Ne pas pulvériser d'insecticides sur l'appareil.
- Avant tout nettoyage ou d'entretien, l'appareil doit être débranché du réseau électrique.
- Ne pas utiliser de détergent pour nettoyer l'appareil.
- Ne pas introduire les doigts ni des objets étrangers dans l'entrée ni dans la sortie d'air.
- Ne pas utiliser cette unité pour quelque fonction autre que la purification de l'air.
- Si le cordon d'alimentation est endommagé, il doit être remplacé par le fabricant, son agent d'entretien ou des personnes possédant des qualifications similaires pour éviter tout risque.
- Cet appareil peut être utilisé par des enfants de 8 ans et plus et des personnes présentant des capacités mentales ou physico-sensorielles réduites, ou un manque d'expérience et de connaissances, s'ils sont surveillés ou formés à une utilisation sûre de l'appareil et s'ils comprennent les risques encourus. Les enfants ne doivent pas jouer avec l'appareil. Le nettoyage et l'entretien ne doivent pas être réalisés par des enfants sans surveillance.

En Allemagne uniquement.

- Utilisation autorisée uniquement hors de la Zone 2.
- L'appareil doit être utilisé avec un dispositif différentiel résiduel (DDR) dont l'intensité de courant de réponse ne dépasse pas 30 mA.

GARANTIE LIMITÉE DU PRODUIT

Garantie limitée : Fellowes, Inc. (« Fellowes ») garantit le système de contrôle de qualité de l'air (le « Produit ») AeraMax® PRO contre tout défaut de matériaux ou de fabrication pendant 3 ans à compter de la date d'achat. Dans le cas d'une installation du Produit dans une construction neuve, la période de garantie prend effet à la date stipulée sur le permis d'occupation ou un an après la date d'achat, selon la première éventualité. Si une pièce s'avère défectueuse pendant la période de garantie, votre seul et unique recours sera la réparation ou le remplacement de la pièce défectueuse au choix et aux frais de Fellowes. Cette garantie ne couvre pas les dommages occasionnés par l'utilisation de filtres non approuvés par Fellowes ou le non-respect des périodes de remplacement des filtres. La présente garantie ne s'applique pas en cas d'abus, de manipulation incorrecte, de non-respect des normes d'utilisation du produit, d'utilisation du produit avec une alimentation électrique inadéquate (autre que celle indiquée sur l'étiquette) ou de réparation non autorisée. Fellowes se réserve le droit de facturer aux clients tous frais supplémentaires encourus par Fellowes pour fournir des pièces ou services en dehors du pays d'achat d'origine du Produit, auprès d'un revendeur autorisé. Cette garantie ne couvre pas les filtres de rechange. Lorsqu'il s'avère difficile pour l'agent d'entretien désigné par Fellowes d'accéder au Produit, Fellowes se réserve le droit de fournir au client des pièces de rechange ou un Produit conformément à ses obligations en vertu de cette garantie et de toute obligation de service. TOUTE GARANTIE IMPLICITE, Y COMPRIS CELLE DE COMMERCIALISATION OU D'ADAPTATION À UN USAGE PARTICULIER, EST PAR LA PRÉSENTE LIMITÉE EN DURÉE À LA PÉRIODE DE GARANTIE APPROPRIÉE DÉFINIE CI-DESSUS. Fellowes ne saurait en aucun cas être tenu responsable de quelque dommage consécutif, accessoire, indirect ou spécial que ce soit. Cette garantie vous donne des droits spécifiques. La durée, les conditions générales et les conditions de cette garantie sont valides dans le monde entier, excepté en cas de prescription, de restrictions ou de conditions exigibles par les lois locales.

CONTENU DE L'EMBALLAGE

- Purificateur d'air commercial AeraMax® PRO
- Filtre hybride 1,75 po (4,4 cm) (avec filtre HEPA 1,75 po et filtre à charbon actif 1,75 po)
- Vis de montage mural (4) et rondelles (2)
- Ancrages pour cloison placoplâtre
- Informations relatives à l'inscription
- Gabarit de montage mural

SPÉCIFICATIONS DE L'APPAREIL

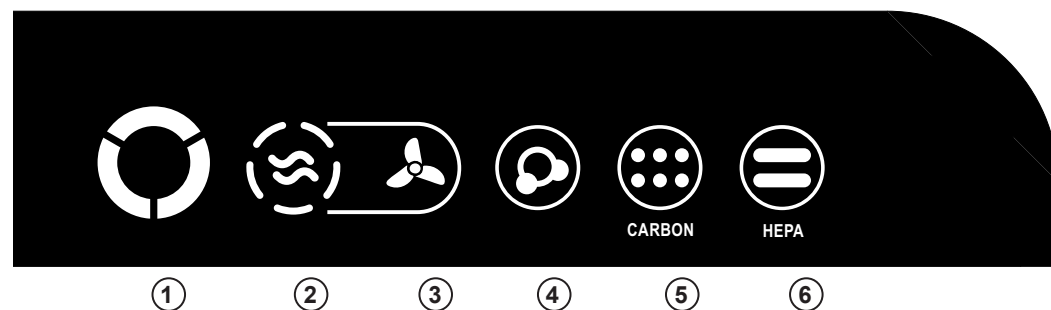
AeraMax® PRO AM II	
Dimensions (H x L x P)	22,6 x 14 x 4 pouces / 57,4 x 35,6 x 10,2 cm
Poids du système (avec les filtres)	11,9 lb / 5,38 kg
Puissance requise	220-240 volts, 50 Hz, 0,55 amp
Consommation énergétique (5 vitesses de rotation)	5, 8, 13, 41, 71 watts
Vitesse de soufflerie (5 vitesses de rotation)	35, 43, 51, 64, 100 MCM*
Décibels	45, 48, 51, 60, 64 dB
Affichage	Touche capacitive
Capteurs	EnviroSmart™
Modes de fonctionnement contrôlés par capteur	2 modes principaux : mode automatique et mode manuel
Filtres fournis	(1) Filtre hybride 1,75 po (4,4 cm) (avec filtre True HEPA 1,75 po et filtre à charbon actif 1,75 po), les filtres ayant une durée de vie moyenne d'un an. (1) préfiltre, durée de vie estimée à 3 mois.
Système de nettoyage	Filtre hybride comprenant un filtre HEPA (High Efficiency Particulate Air) efficace sur 99,97 % des polluants atmosphériques de taille supérieure à 0,3 micron. Le filtre à charbon adsorbe les composés organiques volatils et les odeurs, ioniseur bipolaire PlasmaTRUE™.
*MCM testé avec filtre hybride et machine en position verticale.	

FILTRES DE RECHANGE

Renforceurs de charbon	Filtres à charbon granulaire activé supplémentaires. Durée de vie moyenne du filtre 6 mois : 9544402 - paquet de 2
True HEPA 1,75 po (4,4 cm)	Remplacement de filtre True HEPA avec traitement AeraSafe™. Durée de vie moyenne du filtre 2 ans : 9544301 - paquet de 1
Charbon 1,75 po (4,4 cm)	Filtre à charbon de rechange au charbon granulaire activé. Durée de vie moyenne du filtre 1 an : 9544601 - paquet de 1
Hybride 1,75 po (4,4 cm)	True HEPA 1,75 po et filtre à charbon 1,75 po avec filtre de rechange hybride. Durée de vie moyenne du filtre 1 an : 9544501 - paquet de 1

Pour vous procurer des filtres de rechange supplémentaires et pour toute information concernant les accessoires, veuillez vous rendre sur le site www.aeramaxpro.com

PANNEAU D’AFFICHAGE



REMARQUE : Le mode manuel ne sera pas disponible pendant 1 minute lors du démarrage initial.

- ① **CAPTEUR DE QUALITÉ DE L’AIR** : cet indicateur surveille la qualité de l’air et règle automatiquement la vitesse du ventilateur pour maintenir votre air pur. La couleur bleue indique la détection d’un niveau de polluants faible, la couleur orange indique un niveau de polluants modéré et la couleur rouge indique un niveau de polluants élevé.
- ② **MODE AUTO** : pour sélectionner ce mode, appuyez sur le bouton et maintenez la pression jusqu’à ce que l’icône s’allume. Ce mode surveille la qualité de l’air, le mouvement, le niveau de bruit et règle la vitesse du ventilateur afin de rétablir la pureté de l’air aussi vite que possible. Le ventilateur possède 5 vitesses et peut atteindre la vitesse turbo afin de nettoyer la pièce en cas d’élévation du niveau de polluants. Le nombre de crans illuminés autour de cette icône indique la vitesse du ventilateur. Ce bouton comporte aussi un **MODE SILENCIEUX**. Pour le sélectionner, appuyez sur le bouton et le maintenir enfoncé jusqu’à ce que le bouton devienne violet. La machine continuera d’utiliser le mode EnviroSmart™, mais utilisera uniquement les 3 vitesses du ventilateur les plus basses et les plus silencieuses, sur les 5 existantes.
- ③ **MODE MANUAL** : pour sélectionner ce mode, appuyez sur le bouton jusqu’à ce que l’icône s’allume. Ce mode vous permet de choisir l’une des 5 vitesses du ventilateur et de maintenir l’appareil à cette vitesse jusqu’à ce que le **MODE AUTO** soit à nouveau choisi. Les capteurs internes ne permettent pas de régler la vitesse du ventilateur dans ce mode. Le nombre de crans illuminés autour du **MODE AUTO** indique la vitesse du ventilateur.
- ④ **TECHNOLOGIE PlasmaTRUE™** : crée un champ ionisé qui aide à supprimer les polluants atmosphériques en toute sécurité. Pour activer et désactiver la **TECHNOLOGIE PlasmaTRUE™**, touchez puis maintenez l’indicateur **PLASMA**. Une lumière bleue s’allume lorsque la **TECHNOLOGIE PlasmaTRUE™** est activée. Pour désactiver la **TECHNOLOGIE PlasmaTRUE™**, appuyez sur l’indicateur puis maintenez la pression jusqu’à extinction de la lumière.
- ⑤ **INDICATEUR DE REMPLACEMENT DU FILTRE AU CHARBON*** : la lumière rouge signale la nécessité de remplacer le filtre. La fréquence de remplacement des filtres varie selon le filtre utilisé, le nombre d’heures d’utilisation, la qualité de l’air et le débit d’air. Pour en savoir plus sur la description des indicateurs de remplacement de filtre, voir la section **REPLACEMENT DE FILTRE**.
- ⑥ **INDICATEUR DE REMPLACEMENT DE FILTRE HEPA*** : la lumière rouge signale la nécessité de remplacer le filtre. La fréquence de remplacement des filtres varie selon le filtre utilisé, le nombre d’heures d’utilisation, la qualité de l’air et le débit d’air. Pour en savoir plus sur la description des indicateurs de remplacement de filtre, voir la section **INDICATEURS DE REMPLACEMENT DE FILTRE**.

*Remarque : si un filtre hybride est utilisé, les indicateurs du filtre au charbon et celui du filtre HEPA seront allumés.

FONCTIONNEMENT

Le purificateur d’air fonctionne en mode automatique en continu ; Le purificateur d’air utilisera les 5 niveaux de vitesse afin d’éliminer de la pièce les polluants. Une fois l’air nettoyé et aucun capteur activé, l’appareil réduit son utilisation en énergie afin de minimiser la consommation énergétique et l’usure des filtres.

Lorsque le Mode manuel est sélectionné, l’indicateur Manuel du panneau de contrôle devient bleu. Ce mode vous permet de choisir l’une des 5 vitesses du ventilateur et de maintenir l’appareil à cette vitesse tant que le Mode Auto n’est pas de nouveau choisi/sélectionné.

INSTALLATION

Veillez lire attentivement les instructions avant de procéder à l’installation de l’appareil.

SÉCURITÉ

AVERTISSEMENT :

Faites attention au placement de l’appareil par rapport à la prise électrique (longueur du cordon environ 5 pi 5 po / 1,65 m).

Afin d’éviter tout risque d’électrocution, vérifiez que l’alimentation électrique a bien été interrompue ou éteinte avant de procéder à toute installation.

Vérifiez qu’aucun fil électrique, tuyau ou conduites de gaz ou d’électricité ne se trouve à proximité de la zone d’installation/de perçage.

Il vous est vivement recommandé d’utiliser au moins 2 points d’ancrage pour monter le purificateur d’air sur un montant existant. L’installation requiert 2 personnes.

Suivre les instructions de la section Montage de l’assemblage principal.

OUTILS RECOMMANDÉS POUR L’INSTALLATION

- Perceuse électrique, mèches de forage (non inclus)
- Tournevis Phillips n° 2 et tournevis à tête plate n° 2 (non inclus)
- Connecteurs (non inclus)
- Niveau (non inclus)
- Détecteur de montant

PIÈCES FOURNIES POUR L’INSTALLATION

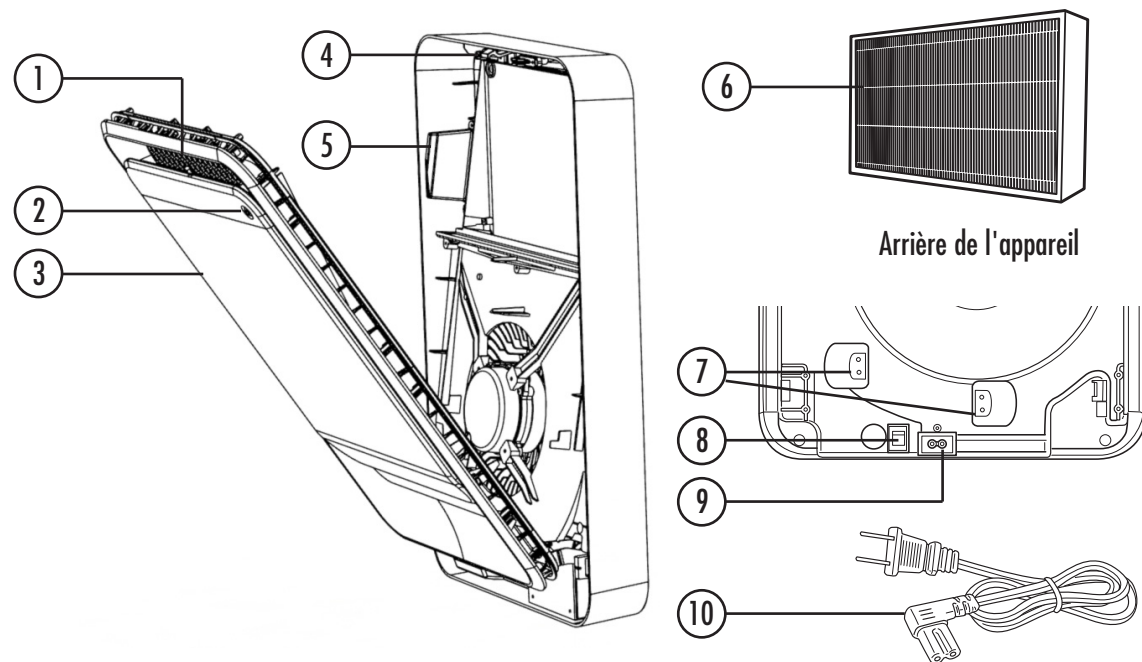
- Ancrage pour placoplâtre : 10 mm OD
- Vis cruciformes

DIRECTIVES D’INSTALLATION DU PRODUIT

Si le purificateur d’air doit être installé en haut d’un mur, veillez à laisser un espace d’au moins 21 cm (8 pouces) entre le bord supérieur de l’appareil et le plafond pour permettre le remplacement du filtre.

LÉGENDE

1. Panneau de commandes
2. Capteur de mouvement
3. Panneau d'accès avant
4. Verrou du panneau d'accès
5. Auto-collant « Filtre certifié »
6. Filtre hybride avec préfiltre
7. Gestion du câble
8. Interrupteur
9. Logement du cordon d'alimentation
10. Fiche CEI



INSTALLATION : section de référence CLÉ

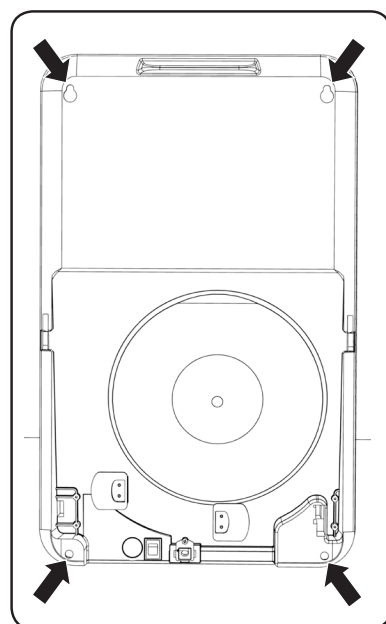
1. Ouvrez l'appareil en appuyant sur le verrou du panneau d'accès (4) vers le bas tout en tirant le panneau d'accès avant vers vous.
2. Retirez le sac du filtre puis replacez-le dans l'appareil.
3. Branchez la fiche CEI (10) dans la fiche du cordon d'alimentation (9) à l'arrière de l'appareil.

MONTAGE DE L'ASSEMBLAGE PRINCIPAL

1. Choisissez une zone de montage de l'appareil proche d'un réceptacle de prise standard (longueur du cordon : environ 1,6 mètre).
2. À l'aide du gabarit de montage, marquez sur le mur les 4 emplacements de montage. Si le montage se fait sur un montant existant, aucune préparation n'est nécessaire. Si le montage se fait sur du plâtré seul ou sur toute autre surface nécessitant un support supplémentaire, utilisez des ancrages.
3. [Utilisation d'ancrages uniquement] Pour utiliser des ancrages, percez un trou de 10 mm à l'emplacement ou aux emplacements des trous de montage et installez les ancrages dans le mur.
4. Installez les 2 vis supérieures en laissant approximativement 6 mm (1/4 po) entre la tête de la vis et le mur. Ne serrez pas les vis à fond.
5. Accrochez l'appareil sur les vis installées à l'étape précédente à l'aide des trous de montage en forme de serrure supérieurs.
6. Ouvrez la porte avant de l'appareil et installez les 2 vis inférieures dans les emplacements de montage inférieurs.
7. Serrez les 4 vis jusqu'à ce qu'elles soient planes.
8. Placez les (2) autocollants fournis sur les emplacements des trous de montage supérieurs internes pour de meilleures performances.
9. Retirez le(s) filtre(s) de leur emballage et installez-le(s) dans l'appareil. Remarque : L'« autocollant Filtre certifié AeraMax Pro » sur le filtre doit être aligné avec l'autocollant identique qui se trouve sur l'appareil. Si le filtre n'est pas installé correctement, l'appareil ne s'allumera pas.
10. Branchez le cordon d'alimentation dans un réceptacle de prise standard.
11. Accédez à l'interrupteur d'alimentation qui se trouve dans la partie droite inférieure à l'arrière de l'appareil, et mettez l'appareil en marche.

Remarque : Le mode manuel ne sera pas disponible pendant 1 minute au démarrage initial.

4 emplacements de montage



NETTOYAGE ET ENTRETIEN

NETTOYAGE :

- Nettoyer la surface externe du boîtier lorsque c'est nécessaire, à l'aide d'un chiffon doux et sec ; pour les tâches, utiliser un linge humidifié à l'eau tiède.
- Ne pas utiliser de liquide volatil tel que le benzène, ni du diluant pour peinture, ni de la poudre à récurer, ou aucun autre produit nettoyant risquant d'endommager la surface de l'appareil.
- Vous pouvez nettoyer les orifices d'entrée et de sortie de l'air à l'aide d'un linge doux et sec.

REPLACEMENT DES FILTRES :

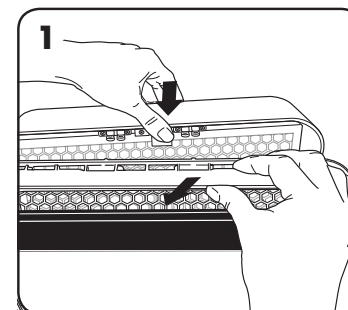
Les indicateurs de remplacement de filtre indiquent le moment où il faut remplacer les filtres HEPA et/ou les filtres à charbon. La fréquence de remplacement varie selon le nombre d'heures d'utilisation, la qualité de l'air et le débit d'air. Toutefois, s'ils sont utilisés normalement, la plupart des filtres HEPA doivent être remplacés annuellement, les filtres à charbon tous les six mois, et les filtres hybrides annuellement. Lorsqu'un filtre doit être remplacé, l'un des voyants de remplacement de filtre HEPA ou à charbon s'allume de la couleur suivante :

Orange clignotant = filtre usé à 90 % (il est recommandé de commander de nouveaux filtres)

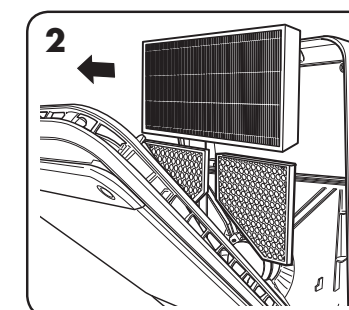
Rouge = filtre usé à 100 % (remplacez les filtres par des filtres neufs)

Ne pas laver puis réutiliser les filtres, car ils ne seront pas efficaces. Utilisez uniquement des filtres de rechange de marque AeraMax® PRO car les appareils ne fonctionneront avec aucun autre type de filtre de rechange.

PROCÉDURE DE REMPLACEMENT DES FILTRES :

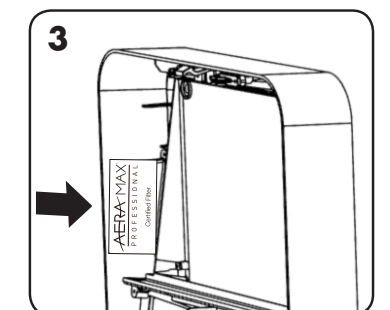


1. Appuyez sur le verrou du panneau d'accès vers le bas tout en tirant le panneau d'accès avant vers vous.



2. Retirez le(s) ancien(s) filtre(s). 3. Assurez-vous d'avoir retiré le sac plastique des nouveaux filtres avant de les insérer. Lors de l'insertion du filtre hybride, assurez-vous que le préfiltre vert est sur le côté de charbon noir et insérez d'abord ce côté avec le HEPA blanc dirigé vers l'extérieur. Lors de l'insertion de nouveaux filtres HEPA ou hybrides, alignez les auto-collants « Filtre certifié AeraMax® PRO » présents sur le filtre sur le filtre et l'intérieur de l'appareil. La flèche doit pointer vers l'arrière de l'appareil.

Référence (5) dans la section CLÉ.



RÉINITIALISATION DU VOYANT DES FILTRES :

Lors de l'installation d'un nouveau filtre, l'appareil détecte automatiquement le type de filtre mais l'utilisateur doit réinitialiser manuellement les indicateurs de remplacement de filtre. Pour réinitialiser les indicateurs de remplacement de filtre, appuyez sur le bouton correspondant au type de filtre remplacé (HEPA ou à charbon), puis maintenez la pression jusqu'à extinction du voyant. Répétez la manœuvre pour les autres types de filtres si nécessaire. Lors du remplacement de filtre hybride, réinitialisez les voyants indicateurs HEPA et à charbon.

DÉPANNAGE

PROBLÈME :	SOLUTION POSSIBLE :
Le système de contrôle de qualité de l'air ne démarre pas.	<ul style="list-style-type: none"> • Vérifiez que l'appareil est connecté à l'alimentation électrique. • Vérifiez que les filtres sont des filtres AeraMax® PRO authentiques, car l'appareil ne fonctionnera pas avec des filtres d'une marque différente. IMPORTANT : alignez les auto-collants « Filtre certifié AeraMax® PRO » présents sur le filtre sur ceux qui se trouvent à l'intérieur de l'appareil. Les flèches doivent pointer vers l'arrière de l'appareil. • Pour en savoir plus, relisez la section « Méthode de remplacement de filtre ». • Vérifiez que le panneau d'accès avant est complètement fermé. • Vérifiez que l'interrupteur d'alimentation est en position de marche.
Un faible cliquetis émis par l'appareil se fait entendre.	<ul style="list-style-type: none"> • Cela indique que l'ioniseur bipolaire « PlasmaTRUE™ » fonctionne.
Le voyant indicateur de remplacement du filtre HEPA et/ou du filtre à charbon reste allumé après le remplacement du/des filtre(s).	<ul style="list-style-type: none"> • Répétez les étapes de réinitialisation du voyant de filtre.

INSTRUCCIONES/ADVERTENCIA DE SEGURIDAD

Gracias por adquirir AeraMax® PRO AM II.

Lea estas instrucciones y guárdelas. Léalas atentamente antes de intentar utilizar o realizar tareas de mantenimiento en este producto. Siga la información de seguridad para protegerse usted y los demás usuarios. Si no sigue las instrucciones, pueden producirse lesiones y/o daños en la propiedad. Conserve las instrucciones para consultarlas en el futuro.

PRECAUCIONES E INSTRUCCIONES IMPORTANTES PARA EL USO DE SU PURIFICADOR DE AIRE:

ADVERTENCIA: Siga las instrucciones detalladas en este manual para minimizar el riesgo de que se produzcan descargas eléctricas, cortocircuitos o incendios:

- No use este purificador de aire como única protección contra contaminantes dañinos.
- Use esta unidad solamente para el fin para el que lo ha diseñado el fabricante. Si tiene dudas, póngase en contacto con el fabricante.
- No repare ni modifique la unidad excepto que se recomiende específicamente en este manual. Toda reparación deberá ser realizada por un técnico cualificado.
- No altere el enchufe de ninguna manera. Si el enchufe no entra en la toma, voltee el enchufe. Si tampoco entra de esta forma, póngase en contacto con un técnico cualificado para instalar una toma adecuada.
- No utilice el producto si el cable de alimentación o el enchufe están dañados o si la conexión a la toma de la pared está floja.
- No dañe, rompa, doble a la fuerza, tire, retuerza, acople, cubra, apriete, coloque bajo moquetas, cubra con alfombras gruesas o coloque objetos pesados sobre el cable de alimentación.
- Limpie el polvo del enchufe de forma periódica. Esto reducirá la posibilidad de que se acumule humedad, lo que aumenta el riesgo de descarga eléctrica.
- Desconecte el enchufe de la toma antes de limpiar la unidad. Al desconectar el enchufe, sujételo por el propio enchufe, nunca por el cable.
- Desconecte el enchufe de la toma cuando no use la unidad.
- No toque el enchufe con las manos mojadas.
- Use solamente la alimentación eléctrica (voltaje y frecuencia) especificada para el modelo de purificador de aire que se está instalando.
- No obstruya la entrada ni la salida de aire del purificador de aire.
- No use la unidad sin filtros instalados.
- No limpie ni reutilice ninguno de los filtros.
- No use accesorios ni filtros que no sean de la marca AeraMax® PRO, ya que la unidad dejará de funcionar.
- No pulverice aerosoles sobre o en la unidad.
- Antes de la limpieza o realizar otras tareas de mantenimiento, el dispositivo debe estar desconectado de la fuente de alimentación.
- No utilice detergente para limpiar la unidad.
- No introduzca los dedos, líquidos u objetos extraños en la entrada o salida de aire.
- No use la unidad para fines distintos a la purificación del aire.
- Si el cable de alimentación está dañado, su sustitución debe dejarse en manos del fabricante, el agente de servicio de este o una persona debidamente cualificada, con el fin de evitar riesgos.
- Este dispositivo lo pueden utilizar niños a partir de los 8 años de edad y personas con capacidades mentales, sensoriales o físicas reducidas o con falta de experiencia y conocimiento si se les proporciona supervisión o instrucciones sobre el uso del dispositivo de manera segura y entienden los peligros que conlleva. Los niños no deben jugar con el dispositivo. Los niños no deben realizar las tareas de limpieza y mantenimiento sin supervisión.

En Alemania solamente.

- Uso permitido solamente fuera de la zona 2.
- Debe usarse la unidad con dispositivos protectores de la corriente residual (RCD) con una corriente nominal operativa residual no superior a 30 mA.

GARANTÍA DEL PRODUCTO LIMITADA

Garantía limitada: Fellowes, Inc. ("Fellowes") garantiza que el sistema de control de la calidad del aire AeraMax® PRO (el "Producto") estará libre de defectos en los materiales y la mano de obra durante 3 años, a partir de la fecha de la compra. En el caso de que el Producto esté instalado en una nueva construcción, el período de garantía comenzará en la fecha del permiso de ocupación o un año después de la fecha de compra, lo que ocurra antes. Si se encuentra algún defecto en cualquiera de las piezas durante el período de garantía, la única y exclusiva solución será la reparación o el cambio de la pieza defectuosa, a criterio y cuenta de Fellowes. Esta garantía no cubre los daños provocados por el uso de filtros no aprobados por Fellowes o por el incumplimiento de los plazos de sustitución recomendados. Esta garantía queda invalidada en casos de abuso, mal uso, incumplimiento de las condiciones de uso del producto, uso con una fuente de alimentación inadecuada (distinta a la indicada en la etiqueta) o en casos de reparación no autorizada. Fellowes se reserva el derecho de cobrar al consumidor los costes adicionales incurridos por parte de Fellowes al suministrar piezas o servicios fuera del país donde el Producto se haya vendido inicialmente a través de un vendedor autorizado. Esta garantía no cubre filtros sustituibles. En el caso de que el Producto no esté accesible para el personal de mantenimiento designado por Fellowes, Fellowes se reserva el derecho de suministrar al cliente piezas de recambio o el Producto a plena satisfacción respecto a sus obligaciones, conforme a esta garantía y cualquier obligación de servicio. CUALQUIER GARANTÍA IMPLÍCITA, INCLUIDA LA DE COMERCIALIZACIÓN O APTITUD PARA UN PROPÓSITO DETERMINADO, QUEDA LIMITADA POR LA PRESENTE EN SU DURACIÓN AL CORRESPONDIENTE PERÍODO DE GARANTÍA ESTABLECIDO ANTERIORMENTE. Fellowes no será en ningún caso responsable de ningún daño resultante, accidental, indirecto o especial. Esta garantía le confiere derechos legales específicos. La duración, los términos y las condiciones de esta garantía son válidos en todo el mundo, excepto en los lugares donde la legislación local exija limitaciones, restricciones o condiciones diferentes.

CONTENIDO DEL PAQUETE

- Purificador de aire comercial AeraMax® PRO:
- Filtro híbrido de 1,75 pulgadas (4,4 cm) (incluye True HEPA de 1,75 pulgadas [4,4 cm] y carbono activado de 1,75 pulgadas [4,4 cm])
- Tornillos para el montaje en la pared (4) y arandelas (2)
- Anclajes para pared de yeso
- Información de registro
- Plantilla para el montaje en pared

ESPECIFICACIONES DEL PRODUCTO

AeraMax® PRO AM II	
Dimensiones (Al x An x Pr)	22,6 x 14 x 4 pulgadas / 57,4 x 35,6 x 10,2 cm
Peso del sistema (filtros incluidos)	11,9 lbs /5,38 kg
Requisitos de alimentación	220-240 V, 50 Hz, 0,55 A
Consumo de alimentación (5 velocidades del ventilador)	5, 8, 13, 41, 71 vatios
Salida de aire (5 velocidades del ventilador)	35, 43, 51, 64, 100 CFM*
Decibelios	45, 48, 51, 60, 64 dB
Pantalla	Táctil capacitiva
Sensores	EnviroSmart™
Modos de funcionamiento controlados por sensores	2 modos primarios: modo automático y modo manual
Filtros suministrados	(1) Filtro híbrido de 1,75 pulgadas (4,4 cm) (incluye True HEPA de 1,75 pulgadas [4,4 cm] y carbono activado de 1,75 pulgadas [4,4 cm]) con una vida media estimada del filtro de 1 año. (1) prefiltro, vida estimada de 3 meses.
Sistema de limpieza	El filtro híbrido incluye el filtro de alta eficacia de partículas de aire (HEPA), de una eficacia del 99,97 %, de partículas en suspensión en el aire de 0,3 micrones. El filtro de carbono absorbe el olor y los compuestos orgánicos volátiles, ionizador bipolar PlasmaTRUE™.
*Probado para CFM con filtro híbrido y máquina en orientación vertical.	

FILTROS DE SUSTITUCIÓN

Potenciador de carbono	Filtros de carbono activado granular adicional. Vida media del filtro de 6 meses: 9544402 - 2 conjuntos
True HEPA de 1,75 pulgadas (4,4 cm)	Repuesto del filtro True HEPA con tratamiento AeraSafe™. Vida media del filtro de 2 años: 9544301 - 1 paquete
Carbono de 1,75 pulgadas (4,4 cm)	Filtro de repuesto de carbono activado granular. Vida media del filtro de 1 año: 9544601 - 1 paquete
Híbrido de 1,75 pulgadas (4,4 cm)	True HEPA de 1,75 pulgadas (4,4 cm) y carbono de 1,75 pulgadas (4,4 cm) con filtro híbrido de repuesto. Vida media del filtro de 1 año: 9544501 - 1 paquete

Para obtener más información sobre accesorios y filtros de repuesto, visite: www.aeramaxpro.com

PANEL DE VISUALIZACIÓN



NOTA: el modo manual no estará disponible durante un minuto, tras el encendido inicial.

- 1 SENSOR DE CALIDAD DEL AIRE:** este indicador supervisa la calidad del aire y ajusta la velocidad del ventilador para mantener el aire purificado. El color azul indica un bajo nivel de contaminantes detectado; el color ámbar indica un nivel moderado de contaminantes y el color rojo indica un alto nivel de contaminantes.
- 2 MODO AUTOMÁTICO:** para seleccionarlo, presione y mantenga presionado el botón hasta que se ilumine el icono. Este modo supervisa la calidad del aire, el movimiento y el nivel de ruido para ajustar la velocidad del ventilador, con el fin de mantener el aire purificado tan rápidamente como sea posible. El ventilador tiene cinco velocidades y puede alcanzar la velocidad turbo para limpiar la habitación en el caso de que haya altos niveles de contaminantes. El número de marcas iluminadas alrededor de este icono indica la velocidad del ventilador. Este botón también incluye el MODO SILENCIOSO. Para seleccionarlo, mantenga presionado el botón hasta que se ponga en morado. La máquina continuará utilizando EnviroSmart™, pero solo utiliza la 3a velocidad más baja y más silenciosa de las 5 velocidades del ventilador.
- 3 MODO MANUAL:** para seleccionarlo, presione y mantenga presionado el botón hasta que se ilumine el icono. Este modo le permite elegir una de las cinco velocidades del ventilador y mantener la unidad a esta velocidad hasta que vuelva a seleccionarse el MODO AUTOMÁTICO. Los sensores internos no ajustarán la velocidad del ventilador en este modo. El número de marcas iluminadas alrededor del icono MODO AUTOMÁTICO indica la velocidad del ventilador.
- 4 TECNOLOGÍA PlasmaTRUE™:** crea un campo ionizado que ayuda a eliminar los contaminantes en suspensión en el aire de forma segura. Para activar y desactivar la tecnología PlasmaTRUE™, toque y mantenga presionado el indicador PLASMA. Una luz de color azul se ilumina cuando la tecnología PlasmaTRUE™ está activada. Para desactivar la TECNOLOGÍA PlasmaTRUE™, presione y mantenga presionado el indicador "Plasma" hasta que la luz se apague.
- 5 INDICADOR DE SUSTITUCIÓN DEL FILTRO DE CARBONO*:** si la luz es de color rojo, indica que debe sustituirse el filtro. El período para realizar el cambio variará conforme a los filtros utilizados, horas de uso, calidad del aire y velocidad del flujo del aire. Si desea ver una descripción de los indicadores de sustitución, consulte la sección SUSTITUCIÓN DE FILTROS.
- 6 INDICADOR DE SUSTITUCIÓN DEL FILTRO HEPA*:** si la luz es de color rojo, indica que debe sustituirse el filtro. El período para realizar el cambio variará conforme a los filtros utilizados, horas de uso, calidad del aire y velocidad del flujo del aire. Si desea ver una descripción de los indicadores de sustitución, consulte la sección INDICADORES DE SUSTITUCIÓN DE FILTROS.

*Nota: si se usa un filtro híbrido, se encenderán tanto los indicadores HEPA como los de carbono.

FUNCIONAMIENTO

El purificador de aire trabaja continuamente en modo automático; El purificador de aire funcionará en los cinco niveles de velocidad para limpiar la habitación de contaminantes. Cuando se haya limpiado, y no haya sensores activados, la unidad baja al modo de ahorro de energía para reducir el consumo de energía y ampliar la vida útil de los filtros.

Si se ha seleccionado el Modo manual, el indicador manual del panel de control se encenderá de color azul. Este modo le permite elegir una de las cinco velocidades del ventilador y mantener la unidad a esta velocidad hasta que se seleccione/elija el Modo automático.

INSTALACIÓN

Lea detenidamente las instrucciones antes de instalar la unidad.

SEGURIDAD

ADVERTENCIA:

Tenga en cuenta la colocación de la máquina respecto a la toma de electricidad (longitud del cable de aproximadamente 5 pies y 5 pulgadas [1,67 m]).

Para evitar el riesgo de electrocución, confirme que la fuente de alimentación se ha desconectado o apagado antes de comenzar el trabajo de instalación.

Confirme que no haya cables eléctricos, conductos de suministros ni canalizaciones directamente situados detrás del área de instalación / perforación.

Se recomienda encarecidamente, al menos, 2 puntos de montaje para que el purificador de aire se monte en una viga existente. Se necesitan dos personas para la instalación.

Siga las instrucciones de la sección de montaje del ensamblaje principal.

HERRAMIENTAS RECOMENDADAS PARA LA INSTALACIÓN

- Taladro eléctrico, brocas (no incluidos)
- Destornilladores Phillips n.º 2 y de cabeza plana n.º 2 (no incluidos)
- Tuercas para cables (no incluidas)
- Nivel (no incluido)
- Detector de vigas

COMPONENTES PROPORCIONADOS PARA LA INSTALACIÓN

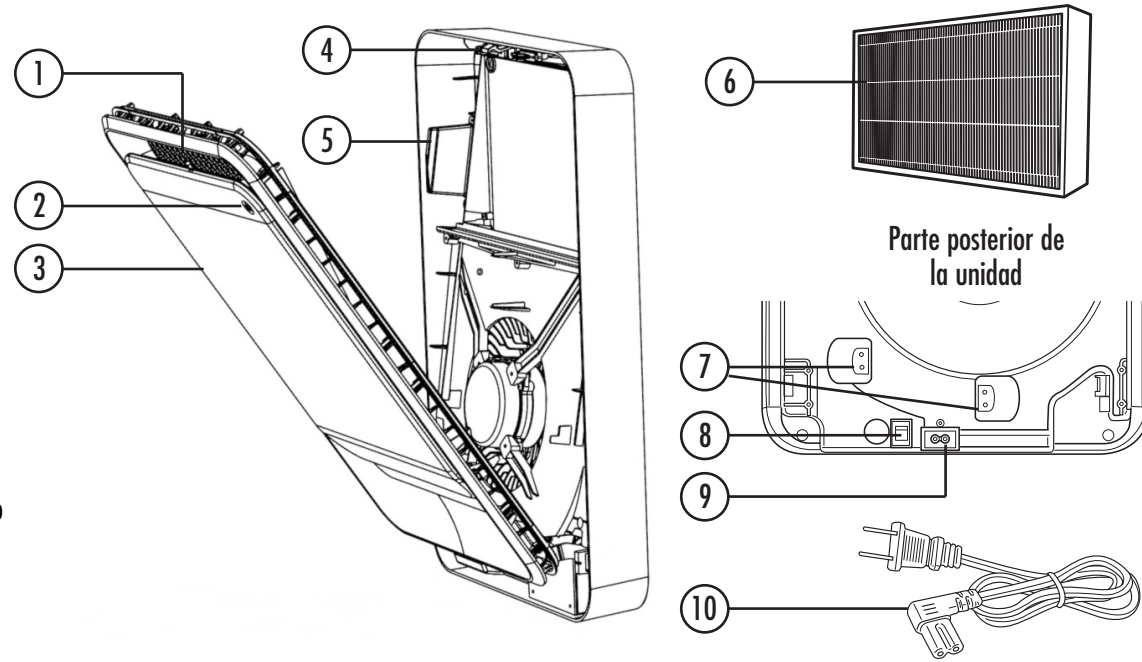
- Anclajes para pared de yeso - 4/10 pulgadas (10 mm) de diámetro exterior
- Tornillos Phillips de cabeza plana

INDICACIONES PARA LA INSTALACIÓN DEL PRODUCTO

Si el purificador de aire se va a montar en la parte alta de la pared, asegúrese de que el borde superior de la unidad se coloque, al menos 8 pulgadas (21 cm) por debajo del techo, para permitir las sustituciones del filtro.

TECLAS

1. Panel de control
2. Sensor de movimiento
3. Panel de acceso delantero
4. Pestillo del panel de acceso
5. Adhesivo de filtro certificado
6. Filtro híbrido con prefiltro
7. Control de cables
8. Interruptor de encendido
9. Conector para el cable de alimentación
10. Enchufe IEC



INSTALACIÓN - Sección de CLAVES de referencia

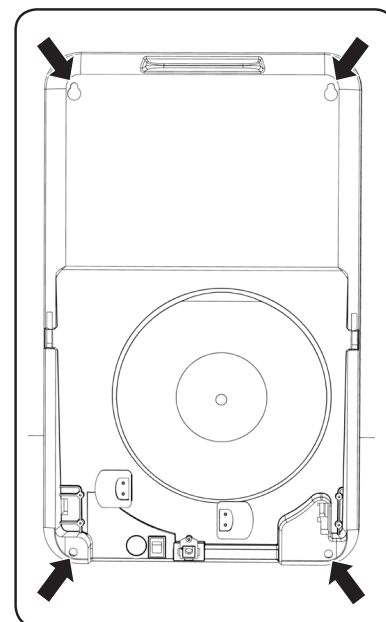
1. Empuje hacia abajo el pestillo del panel de acceso (4) para abrir la unidad mientras tira del panel de acceso delantero hacia usted.
2. Retire la bolsa del filtro y vuelva a colocarla en la unidad.
3. Conecte el enchufe IEC (10) en el conector del cable de alimentación (9) de la parte posterior de la unidad.

MONTAJE DEL ENSAMBLAJE PRINCIPAL

1. Elija un área para montar la unidad cerca de un receptáculo de toma de corriente estándar (longitud aproximada del cable 5 pies y 5 pulgadas [1,67 m]).
2. Mediante la plantilla de montaje, marque la pared con las dos ubicaciones superiores de montaje. Si la ubicación de montaje es sobre un montante, no es necesario hacer preparativos. Si la ubicación de montaje es sobre una pared de yeso solamente o cualquier otra superficie que requiera apoyo adicional, use anclajes.
3. [Uso de anclajes solamente] Para usar anclajes, taladre un orificio de 3/8 pulgadas (10 mm) en las ubicaciones de los orificios de montaje e instale los anclajes en la pared.
4. Coloque los 2 tornillos superiores y deje 1/4 pulgadas (6 mm) de distancia aproximadamente entre la cabeza del tornillo y la pared. No apriete los tornillos hasta el fondo.
5. Coloque la unidad en los tornillos instalados en el paso anterior mediante el uso de los orificios de montaje.
6. Abra la puerta frontal de la unidad e instale los 2 tornillos inferiores en las ubicaciones de montaje inferiores.
7. Apriete los 4 tornillos hasta el fondo.
8. Coloque los adhesivos (2) proporcionados sobre las ubicaciones superiores de los orificios de montaje para maximizar el rendimiento.
9. Extraiga los filtros del paquete y colóquelos en la unidad. Nota: el "adhesivo de filtro certificado para AeraMax Pro" del filtro debe estar alineado con el adhesivo idéntico que se encuentra en la unidad. Si el filtro no está instalado correctamente, la unidad no se encenderá.
10. Enchufe el cable de alimentación en las tomas de corriente estándar.
11. Colóquese cerca de la esquina inferior derecha de la parte posterior de la unidad para acceder al interruptor de alimentación y enciéndala.

Nota: el modo manual no estará disponible durante un minuto, tras el encendido inicial.

Cuatro ubicaciones de montaje



CUIDADO Y MANTENIMIENTO

LIMPIEZA:

- Pase un paño suave y seco para limpiar la carcasa externa cuando sea necesario; para las manchas, use un paño humedecido con agua tibia.
- No utilice líquidos volátiles como benceno, diluyentes para pintura, limpiadores en polvo u otros limpiadores, ya que puedan dañar la superficie de la unidad.
- Pase un paño suave y seco para limpiar los conductos de entrada y de salida de aire;

SUSTITUCIÓN DE FILTROS:

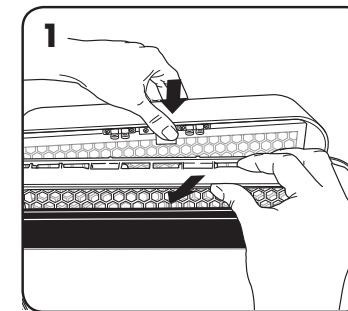
Los indicadores de sustitución de filtros señalan cuándo cambiar el filtro HEPA y/o los filtros de carbono. El período para realizar la sustitución variará conforme a las horas de uso, la calidad del aire y la velocidad del flujo del aire. Sin embargo, en condiciones normales de uso, la mayoría de los filtros HEPA requieren cambiarse una vez al año, mientras que los de carbono se sustituyen cada 6 meses, y los filtros Híbridos cada año. Si debe sustituirse un filtro se mostrará el siguiente color en uno de los indicadores de sustitución del filtro de CARBONO o HEPA.

Parpadeo en ámbar = 90% de desgaste del filtro (recomendación para solicitar nuevos filtros)

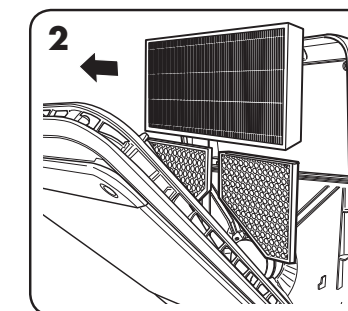
Rojo = 100% de desgaste del filtro (sustituir por filtros nuevos)

No limpie y vuelva a utilizar los filtros, ya que no funcionarán de forma eficaz. Use solamente filtros de repuesto de la marca AeraMax® PRO, ya que las unidades no funcionarán con otros repuestos.

PROCEDIMIENTO DE SUSTITUCIÓN DE FILTROS:

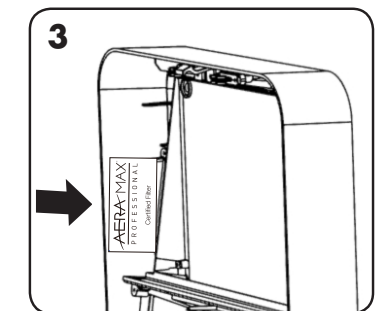


1. Empuje hacia abajo el pestillo del panel de acceso mientras tira del panel delantero hacia usted.



2. Retire los filtros antiguos. 3. Al insertar los filtros nuevos, asegúrese de retirar la bolsa de plástico. Cuando inserte el filtro híbrido, asegúrese de que el prefiltro verde esté sobre el lateral de carbono negro e inserte ese lado en primer lugar con el HEPA blanco mirando hacia afuera. Al insertar los nuevos filtros HEPA o híbridos, alinee los adhesivos de filtro certificado para AeraMax® PRO sobre el filtro y en el interior de la unidad. La flecha debe apuntar hacia la parte posterior de la unidad.

Consulte (5) en la sección de CLAVES.



RESTABLECIMIENTO DE LA LUZ DEL FILTRO:

Cuando instale un nuevo filtro, la unidad detectará automáticamente el tipo de filtro, pero el usuario tendrá que restablecer manualmente los indicadores de sustitución del filtro. Para restablecer cualquiera de los indicadores de sustitución de filtros, presione y mantenga presionado el botón de tipo de filtro que se sustituyó (HEPA o carbono) hasta que la luz se apague. Repita la operación para los demás tipos de filtros, según sea necesario. Cuando sustituya el filtro híbrido, restablezca los indicadores luminosos de HEPA y carbono.

SOLUCIÓN DE PROBLEMAS

PROBLEMA:	POSIBLE SOLUCIÓN:
El sistema de control de la calidad del aire no se inicia.	<ul style="list-style-type: none"> • Compruebe que la unidad esté conectada a la fuente de alimentación. • Asegúrese de que los filtros son filtros AeraMax® PRO originales, ya que la unidad no funcionará con otras marcas. IMPORTANTE: asegúrese de alinear los adhesivos de certificado para AeraMax PRO en el filtro y en el interior de la unidad. La flecha debe apuntar hacia la parte posterior de la unidad. • Consulte la sección Método de sustitución de filtros para obtener más información. • Asegúrese de que el panel de acceso delantero esté completamente cerrado. • Asegúrese de que el interruptor de encendido esté activado.
La unidad emite un ligero sonido repetitivo.	<ul style="list-style-type: none"> • Esto indica que el ionizador bipolar "PlasmaTRUE™" está funcionando.
El indicador luminoso de sustitución de filtros de carbono y/o HEPA permanece encendido después de sustituir los filtros.	<ul style="list-style-type: none"> • Repita las instrucciones para restablecer la luz del filtro.

SICHERHEITSHINWEISE/WARNHINWEIS

Vielen Dank für Ihren Kauf des AeraMax® PRO AM II.

Bitte lesen Sie diese Anweisungen und bewahren Sie sie auf. Lesen Sie sie sorgfältig durch, bevor Sie versuchen, das Produkt in Betrieb zu nehmen oder zu warten. Schützen Sie sich und andere durch Beachtung aller Sicherheitshinweise. Wird den Sicherheitshinweisen nicht Folge geleistet, kann dies Personen- und Sachschäden zur Folge haben. Bewahren Sie die Anweisungen zum späteren Nachschlagen auf.

WICHTIGE VORSICHTSHINWEISE UND ANLEITUNGEN ZUM GEBRAUCH DES LUFTREINIGERS

WARNHINWEIS: Befolgen Sie die Anleitungen in diesem Handbuch, um das Risiko von Stromschlag, Kurzschluss und/oder Brand zu reduzieren:

- Verwenden Sie diesen Luftreiniger nicht als alleinigen Schutz gegen gefährliche Schadstoffe.
- Verwenden Sie dieses Gerät nur in der vom Hersteller vorgesehenen Weise. Kontaktieren Sie bei Fragen den Hersteller.
- Führen Sie keine Änderungen oder Reparaturen an dem Gerät durch, es sei denn, dies wird in diesem Handbuch speziell empfohlen. Alle Reparaturarbeiten müssen von einem qualifizierten Techniker durchgeführt werden.
- Der Stecker darf nicht verändert werden. Falls der Stecker nicht in die Steckdose passt, den Stecker umdrehen. Falls er noch immer nicht passt, muss ein qualifizierter Techniker eine geeignete Steckdose installieren.
- Das Gerät darf nicht benutzt werden, falls Netzkabel oder Stecker beschädigt sind oder die Verbindung zur Wandsteckdose lose ist.
- Das Netzkabel nicht beschädigen, knicken, verbiegen, auseinander ziehen, verdrehen, bündeln, beschichten, einklemmen, unter Teppichböden verlegen und keine schweren Objekte darauf abstellen.
- Von Zeit zu Zeit den Staub vom Stecker entfernen. Dies verringert die Wahrscheinlichkeit, dass sich zu viel Feuchtigkeit ansammelt, welche die Stromschlaggefahr erhöht.
- Vor dem Reinigen des Geräts den Stecker aus der Steckdose ziehen. Den Stecker nicht am Kabel aus der Steckdose ziehen.
- Den Stecker jedoch nur dann aus der Steckdose ziehen, wenn das Gerät nicht in Betrieb ist.
- Den Stecker nicht mit nassen Händen anfassen.
- Verwenden Sie ausschließlich die für das derzeit installierte Modell des Luftreinigers spezifizierte elektrische Spannung und Frequenz.
- Blockieren Sie den Luftein- oder Luftauslass des Luftreinigers nicht.
- Verwenden Sie das Produkt nicht ohne installierte Filter.
- Waschen Sie die Filter nicht aus, und verwenden Sie sie nicht erneut.
- Verwenden Sie keine Zusatzgeräte oder Filter einer anderen Marke als AeraMax® PRO, da das Gerät sonst nicht funktioniert.
- Sprühen Sie keine Aerosole auf oder in das Gerät.
- Vor der Reinigung oder sonstigen Wartungsmaßnahmen muss das Gerät von der Netzstromversorgung getrennt werden.
- Verwenden Sie zum Reinigen des Geräts keine Reinigungsmittel.
- Fassen Sie nicht mit dem Finger in die Luftansaug- oder Auslassöffnung, und halten Sie Flüssigkeiten und andere Fremdkörper fern.
- Verwenden Sie das Gerät ausschließlich zur Luftreinigung.
- Falls das Stromkabel beschädigt ist, muss es vom Hersteller, einem seiner Servicepartner oder einer anderen entsprechend qualifizierten Person ersetzt werden, um Gefahren auszuschließen.
- Dieses Gerät darf nur dann von Kindern ab 8 Jahren und Personen mit reduzierten körperlichen, sensorischen oder geistigen Fähigkeiten oder ohne Erfahrung und Kenntnisse eingesetzt werden, wenn sie beaufsichtigt werden oder über den sicheren Einsatz des Geräts unterrichtet wurden und die damit verbundenen Gefahren verstehen. Kinder dürfen mit diesem Gerät nicht spielen. Die Reinigung und die durch den Benutzer durchführbaren Wartungsarbeiten dürfen nicht von unbeaufsichtigten Kindern vorgenommen werden.

Nur in Deutschland.

- Nutzung nur außerhalb der Zone 2 zugelassen.
- Das Gerät muss mit Fehlerstrom-Schutzeinrichtungen (RCDs) mit einem Bemessungsfehlerbetriebsstrom von maximal 30 mA verwendet werden.

BESCHRÄNKTE PRODUKTGARANTIE

Beschränkte Garantie: Fellowes, Inc. („Fellowes“) garantiert, dass das AeraMax® PRO Luftreinigungssystem (das „Produkt“) 3 Jahre ab dem Kaufdatum frei von Defekten hinsichtlich Material und Verarbeitung ist. Für den Fall, dass das Produkt in einem neuen Gebäude installiert wird, beginnt der Garantiezeitraum ab dem Datum der Bauabnahme oder ein Jahr nach Kaufdatum, je nachdem, welches früher eintritt. Sollte sich ein Teil während der Garantiezeit als defekt erweisen, haben Sie einzig und allein Anspruch auf kostenlose Reparatur oder kostenlosen Ersatz des defekten Teils nach Ermessen von Fellowes. Diese Garantie deckt keine Schäden ab, die durch die Nutzung von Filtern, die nicht von Fellowes zugelassen wurden, oder eine Nichteinhaltung des empfohlenen Ersatzverfahrens verursacht wurden. Diese Garantie schließt Missbrauch, unsachgemäße Handhabung, Nichteinhaltung von Produktnutzungsstandards, Betrieb mit einer falschen (einer anderen als auf dem Etikett angegebenen) Stromversorgung oder unbefugte Reparaturen aus. Fellowes behält sich das Recht vor, den Verbrauchern zusätzliche Kosten in Rechnung zu stellen, die für Fellowes anfallen, um Teile oder Dienstleistungen außerhalb des Landes zur Verfügung zu stellen, in dem das Produkt ursprünglich von einem autorisierten Wiederverkäufer verkauft worden ist. Austauschbare Filter sind in dieser Garantie nicht enthalten. Für den Fall, dass das Produkt für Service-Personal von Fellowes nicht zugänglich ist, behält sich Fellowes das Recht vor, dem Kunden in voller Erfüllung der in dieser Garantie enthaltenen Verpflichtungen Ersatzteile oder Produktersatz zur Verfügung zu stellen. **ALLE STILLSCHWEIGENDEN GARANTIEEN, EINSCHLIESSLICH DIE DER MARKTGÄNGIGKEIT ODER EIGNUNG FÜR EINEN BESTIMMTEN ZWECK, WERDEN HIERMIT AUF DIE DAUER DER VORSTEHEND ANGEFÜHRTEN GARANTIEZEIT BESCHRÄNKT. AUF KEINEN FALL HAFTET FELLOWES FÜR FOLGESCHÄDEN, ZUFÄLLIGE, INDIRECTE ODER SPEZIELLE SCHÄDEN.** Diese Garantie gewährt Ihnen bestimmte Rechte. Dauer, Bedingungen und Konditionen dieser Garantie gelten weltweit, außer lokale Gesetze schreiben andere Begrenzungen, Einschränkungen oder Konditionen vor.

PACKUNGSINHALT

- AeraMax® PRO-Luftreinigungssystem für die gewerbliche Güteklasse
- 4,4 cm -Hybridfilter (bestehend aus 4,4 cm -True HEPA-Filter und 4,4 cm -Aktivkohlefilter)
- Schrauben für die Wandmontage (4) und Unterlegscheiben (2)
- Trockenwanddübel
- Registrierungsinformationen
- Wandmontage-Schablone

PRODUKTSPEZIFIKATIONEN

AeraMax® PRO AM II	
Maße (H x B x D)	22,6 x 14 x 4 Zoll / 57,4 x 35,6 x 10,2 cm
Gewicht des Systems (einschließlich aller Filter)	11,9 lbs. / 5,38 kg
Stromanforderungen	220-240 V, 50 Hz, 0,55 A
Leistungsaufnahme (5 Lüftergeschwindigkeiten)	5, 8, 13, 41, 71 Watt
Luftförderung (5 Lüftergeschwindigkeiten)	35, 43, 51, 64, 100 CFM*
Dezibel	45, 48, 51, 60, 64 dB
Anzeige	Kapazitive Berührung
Sensoren	EnviroSmart™
Sensorgesteuerte Betriebsmodi	2 primäre Modi: Normaler Modus und Manueller Modus
Mitgelieferte Filter	(1) 4,4 cm -Hybridfilter (bestehend aus 4,4 cm -True HEPA-Filter und 4,4 cm -Aktivkohlefilter) mit einer geschätzten durchschnittlichen Lebensdauer von 1 Jahr. (1) Vorfilter, geschätzte Lebensdauer: 3 Monate.
Reinigungssystem	Der Hybridfilter umfasst einen High Efficiency Particulate Air (HEPA)-Filter mit einer Effizienzbewertung von 99,97 % für Feinstaub von 0,3 Mikrometern. Der Kohlefilter absorbiert Gerüche und flüchtige organische Verbindungen, mit bipolarem PlasmaTRUE™ Ionisator.
*CFM-Test wurde mit Hybridfilter und Gerät in vertikaler Ausrichtung durchgeführt.	

ERSATZFILTER	
Kohle-Booster	Zusätzliche granulare Aktivkohlefilter. Durchschnittliche Filterlebensdauer von 6 Monaten: 9544402 – 2 Sets
4,4 cm True HEPA-Filter	True HEPA-Ersatzfilter mit AeraSafe™-Behandlung. Durchschnittliche Filterlebensdauer von 2 Jahren: 9544301 – Einzelpack
4,4 cm Kohle	Granular-Aktivkohleersatzfilter. Durchschnittliche Filterlebensdauer von 1 Jahr: 9544601 – Einzelpack
4,4 cm-Hybridfilter	4,4 cm HEPA-Filter und 4,4 cm-Kohlefilter mit Hybridersatzfilter. Durchschnittliche Filterlebensdauer von 1 Jahr: 9544501 – Einzelpack

Besuchen Sie bitte www.aeramaxpro.com, um weitere Informationen zu Ersatzfiltern und Zubehör zu erhalten.

ANZEIGEFELD



HINWEIS: Der manuelle Modus ist erst eine Minute nach dem ersten Einschalten verfügbar.

- 1 LUFTQUALITÄTSSENSOR** – Diese Anzeige überwacht die Luftqualität und passt die Gebläsegeschwindigkeit automatisch an, um Ihre Luft rein zu halten. Blau weist auf ein geringes Maß an festgestellter Verunreinigung hin, gelb auf ein mittleres und rot auf ein hohes Maß an Verunreinigung.
- 2 AUTOMATISCHER MODUS** – Halten Sie zur Auswahl dieses Modus die Taste gedrückt, bis das Symbol leuchtet. Dieser Modus überwacht Luftqualität, Bewegung und Lärmpegel, um die Gebläsegeschwindigkeit so einzustellen, dass Ihre Luft so schnell wie möglich gereinigt wird. Der Lüfter verfügt über 5 Geschwindigkeiten und kann bei hohen Mengen an Schadstoffen im Raum Turbo-Geschwindigkeit erreichen. Die Anzahl der Strichmarkierungen, die rings um das Symbol leuchten, zeigt die Lüftergeschwindigkeit an. Diese Taste umfasst auch einen LEISE-MODUS. Halten Sie zur Auswahl die Taste gedrückt, bis diese violett wird. Es wird weiterhin EnviroSmart™ verwendet, jedoch kommen nur die 3 niedrigsten und leisesten der 5 Lüftergeschwindigkeiten zum Einsatz.
- 3 MANUELLER MODUS** – Halten Sie zur Auswahl dieses Modus die Taste gedrückt, bis das Symbol leuchtet. In diesem Modus können Sie eine der 5 Lüftergeschwindigkeiten auswählen und das Gerät mit dieser Geschwindigkeit betreiben, bis der AUTOMATISCHE MODUS erneut ausgewählt wird. In diesem Modus wird die Lüftergeschwindigkeit nicht durch die internen Sensoren angepasst. Die Anzahl der Strichmarkierungen, die rings um das Symbol für den AUTOMATISCHEN MODUS leuchten, zeigt die Lüftergeschwindigkeit an.
- 4 PlasmaTRUE™-TECHNOLOGIE** – Baut ein ionisiertes Feld auf, um Luftschadstoffe sicher zu entfernen. Berühren und halten Sie zum Ein- und Ausschalten der PlasmaTRUE™ TECHNOLOGIE die PLASMA-Anzeigeleuchte. Es leuchtet ein blaues Licht auf, wenn die PlasmaTRUE™ TECHNOLOGIE aktiviert ist. Drücken und halten Sie zum Deaktivieren der PlasmaTRUE™ TECHNOLOGIE die „Plasma“-Anzeigeleuchte, bis das Licht aus ist.
- 5 FILTERWECHSELANZEIGE FÜR KOHLEFILTER*** – Wenn die Anzeige rot leuchtet, weist dies darauf hin, dass der Filter gewechselt werden muss. Der Zeitpunkt dafür variiert und hängt von den verwendeten Filtern, der Betriebsdauer, Luftqualität und der Luftförderleistung des Geräts ab. Beschreibungen der Filterwechselanzeigen finden Sie im Abschnitt FILTERWECHSEL.
- 6 FILTERWECHSELANZEIGE FÜR HEPA-FILTER*** – Wenn die Anzeige rot leuchtet, weist dies darauf hin, dass der Filter gewechselt werden muss. Der Zeitraum dafür variiert und hängt von den verwendeten Filtern, der Betriebsdauer, Luftqualität und der Luftförderleistung des Geräts ab. Beschreibungen der Filterwechselanzeigen finden Sie im Abschnitt FILTERWECHSELANZEIGEN.

*Hinweis: Wenn der Hybridfilter verwendet wird, leuchtet die Anzeige für den HEPA- und die Anzeige für den Kohlefilter.

BETRIEB

Der Luftreiniger arbeitet kontinuierlich im automatischen Modus. Das Gerät setzt 5 Geschwindigkeitsstufen ein, um die Luft frei von Verunreinigungen zu halten. Sobald die Luft gereinigt wurde und die Sensoren inaktiv sind, wird das Gerät in einen Energiesparmodus versetzt, um den Energieverbrauch zu senken und die Lebensdauer der Filter zu verlängern.

Wenn der manuelle Modus ausgewählt ist, leuchtet die zugehörige Anzeigeleuchte auf dem Bedienfeld blau. In diesem Modus können Sie eine der 5 Lüftergeschwindigkeiten auswählen und das Gerät mit dieser Geschwindigkeit betreiben, bis der automatische Modus ausgewählt wird.

INSTALLATION

Bitte lesen Sie diese Anweisungen vor der Installation des Geräts sorgfältig durch.

SICHERHEIT

WARNHINWEIS:

Achten Sie auf den Abstand zwischen Gerät und Steckdose (Kabellänge ca. 1,65 m).

Vergewissern Sie sich, dass die elektrische Stromversorgung vor dem Beginn der Installationsarbeiten getrennt oder ausgeschaltet wurde, um das Risiko eines Stromschlags zu vermeiden.

Stellen Sie sicher, dass sich keine elektrischen Kabel, Versorgungsleitungen oder Rohrleitungen direkt hinter dem Installations-/Bohrbereich befinden.

Es wird dringend empfohlen, für die Montage des Luftreinigers auf einer vorhandenen Ständerwand mindestens 2 Montagepunkte zu verwenden.

Für die Installation werden 2 Personen benötigt.

Folgen Sie den Anweisungen im Abschnitt „Montage der Hauptbaugruppe“.

FÜR DIE INSTALLATION EMPFOHLENES WERKZEUG

- Elektrischer Bohrer, Bohreinsätze (nicht im Lieferumfang enthalten)
- Kreuzschlitz- und Flachkopfschraubendreher (jeweils Nr. 2, nicht im Lieferumfang enthalten)
- Drehverbinder (nicht im Lieferumfang enthalten)
- Wasserwaage (nicht im Lieferumfang enthalten)
- Balkensuchgerät

FÜR DIE INSTALLATION BEREITGESTELLTE TEILE

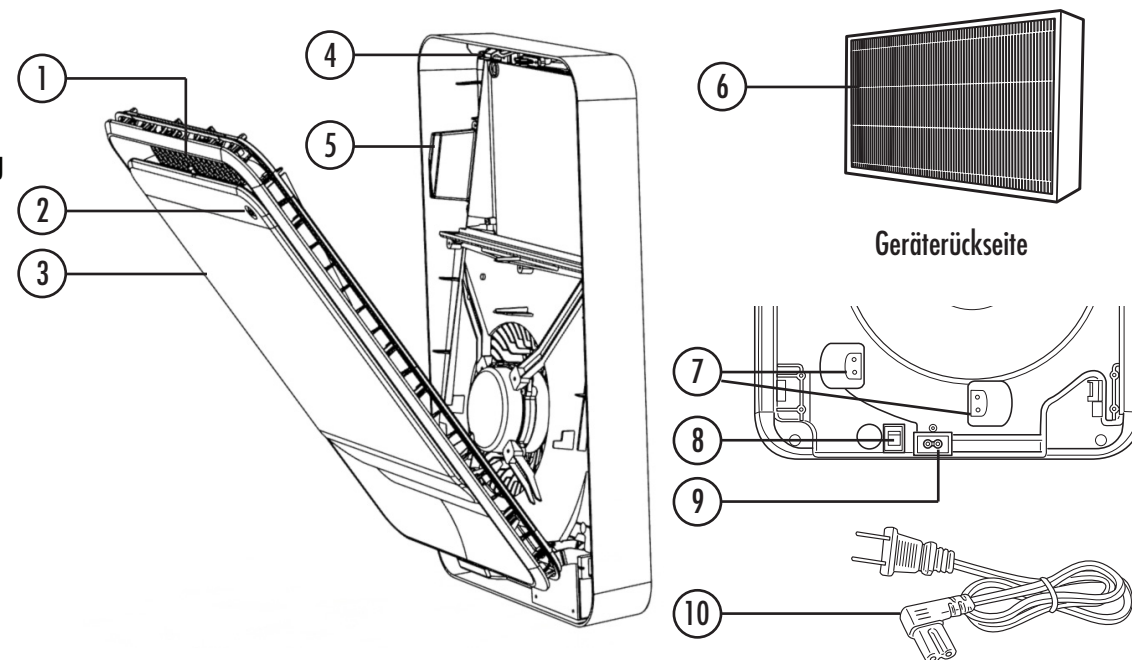
- Dübel - Durchmesser 10 mm
- Kreuzschlitzschrauben

PRODUKTINSTALLATIONSRICHTLINIEN

Wenn der Luftreiniger weit oben an der Wand montiert wird, stellen Sie sicher, dass die obere Kante des Geräts mindestens 8" Zoll (21 cm) unterhalb der Decke positioniert ist, damit der Filter ausgetauscht werden kann.

LEGENDE

1. Bedienfeld
2. Bewegungssensor
3. Vordere Wartungsklappe
4. Wartungsklappenverriegelung
5. Aufkleber für zertifizierten Filter
6. Hybridfilter mit Vorfilter
7. Kabelmanagement
8. Netzschalter
9. Netzkabelanschluss
10. IEC-Stecker



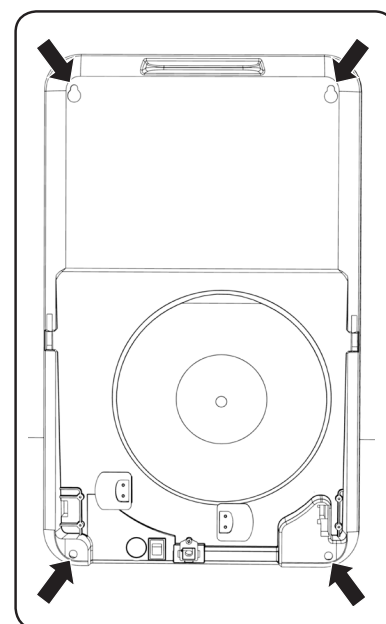
EINRICHTUNG – Siehe LEGENDE

1. Öffnen Sie das Gerät, indem Sie die Wartungsklappenverriegelung (4) nach unten drücken und die vordere Wartungsklappe dabei zu sich heranziehen.
2. Nehmen Sie den Filter aus dem Beutel, und setzen Sie ihn in das Gerät ein.
3. Stecken Sie den IEC-Stecker (10) in den Netzkabelanschluss (9) an der Rückseite des Geräts.

MONTAGE DER HAUPTBAUGRUPPE

1. Wählen Sie für die Montage des Geräts einen Platz in der Nähe einer Standardsteckdose aus (Kabellänge ca. 1,6 m).
2. Verwenden Sie die Schablone, und markieren Sie die 4 oberen Montagepunkte an der Wand. Wenn sich der Montageort über einem vorhandenen Balken befindet, ist keine weitere Vorbereitung erforderlich. Falls das Gerät an einer Trockenbauwand oder auf einer anderen Oberfläche befestigt werden soll, die zusätzlich gestützt werden muss, verwenden Sie Dübel.
3. [Nur bei Verwendung von Dübeln] Bohren Sie zum Anbringen der Dübel Löcher mit einem Durchmesser von 10 mm in die Montagewand, und setzen Sie die Dübel ein.
4. Installieren Sie die 2 oberen Schrauben, und lassen Sie ca. 1/4 Zoll (6 mm) Platz zwischen Wand und Schraubenkopf. Drehen Sie die Schrauben noch nicht vollständig ein.
5. Hängen Sie das Gerät an den im vorherigen Schritt installierten Schrauben der oberen Montagepunkte auf.
6. Öffnen Sie die vordere Tür des Geräts, und installieren Sie die 2 unteren Schrauben in die unteren Montageorte.
7. Ziehen Sie alle 4 Schrauben bündig fest.
8. Legen Sie zur Maximierung der Leistung die (2) beigelegten Aufkleber auf die inneren oberen Montagepunkte.
9. Nehmen Sie den oder die Filter aus der Verpackung, und setzen Sie sie in das Gerät ein. Hinweis: Der Aufkleber „AeraMax Pro Certified Filter“ am Filter muss an dem entsprechenden Aufkleber im Gerät ausgerichtet werden. Das Gerät lässt sich nur einschalten, wenn der Filter ordnungsgemäß installiert wurde.
10. Stecken Sie das Netzkabel in eine Standardsteckdose.
11. Schalten Sie das Gerät mithilfe des Netzschalters ein. Dieser befindet sich unten rechts auf der Rückseite des Geräts. Hinweis: Der manuelle Modus ist erst eine Minute nach dem ersten Einschalten verfügbar.

4 Montagepunkte



PFLEGE UND WARTUNG

REINIGUNG:

- Reinigen Sie das externe Gehäuse nach Bedarf. Wischen Sie es dazu mit einem trockenen, weichen Tuch ab. Verwenden Sie bei hartnäckigen Flecken ein warmes, feuchtes Tuch.
- Verwenden Sie keine flüchtigen Flüssigkeiten wie Benzol oder Farbverdünner und kein Scheuerpulver oder sonstige Reinigungsmittel, die die Oberfläche des Geräts beschädigen können.
- Säubern Sie die Lufteinlass- und Auslassöffnungen, indem Sie sie mit einem trockenen, weichen Tuch abwischen.

FILTERWECHSEL:

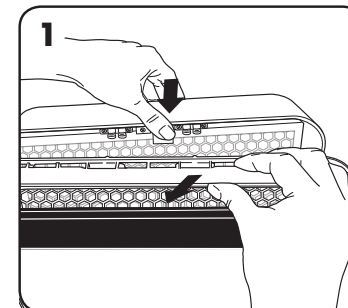
Die Filterwechselanzeigen zeigen an, wann der HEPA-Filter und/oder der Kohlefilter gewechselt werden müssen. Der Zeitpunkt dafür variiert und hängt von Betriebsdauer, Luftqualität und gewählter Luftförderleistung ab. Die meisten HEPA Filter müssen unter normalen Einsatzbedingungen jedoch jedes Jahr, Kohlefilter alle 6 Monate und Hybridfilter jedes Jahr ausgetauscht werden. Wenn ein Filter gewechselt werden muss, wird dies auf der jeweiligen HEPA- oder KOHLE-Filterwechselanzeige wie folgt farblich dargestellt:

Blinkt gelb = Filterverschleiß liegt bei 90 % (es wird empfohlen, neue Filter zu bestellen)

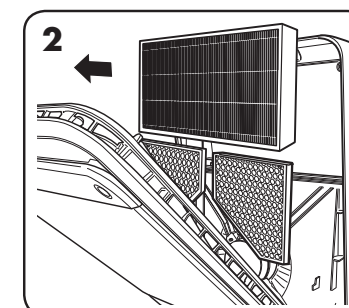
Rot = Filterverschleiß liegt bei 100 % (neuen Filter einsetzen)

Waschen Sie keine der Filter und verwenden Sie sie nicht erneut – sie arbeiten dann nicht mehr effektiv. Verwenden Sie ausschließlich Ersatzfilter der Marke AeraMax® PRO, da die Geräte bei Verwendung anderer Ersatzfilter nicht funktionieren.

VORGEHENSWEISE BEIM FILTERWECHSEL:

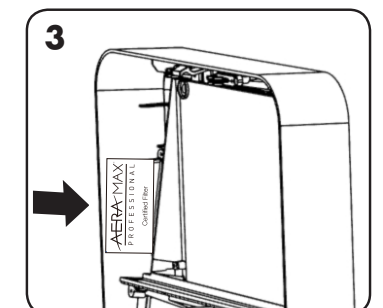


1. Drücken Sie die Wartungsklappenverriegelung nach unten, und ziehen Sie gleichzeitig die vordere Wartungsklappe zu sich heran.



2. Entfernen Sie den oder die alten Filter. 3. Entfernen Sie vor dem Einsetzen neuer Filter den Plastikbeutel. Stellen Sie beim Einsetzen eines Hybridfilters sicher, dass sich der grüne Vorfilter über der schwarzen Kohleseite befindet, und setzen Sie diese Seite zuerst ein, wobei der weiße HEPA-Filter nach außen zeigt. Richten Sie beim Einsetzen eines neuen Hybrid- oder HEPA-Filters den am Filter angebrachten Aufkleber für den zertifizierten AeraMax® PRO-Filter an dem an der Innenseite des Geräts aus. Der Pfeil muss zur Rückseite des Geräts zeigen.

Referenz (5) der LEGENDE.



FILTERLEUCHE ZURÜCKSETZEN:

Das Gerät erkennt den Filtertyp beim Installieren eines neuen Filters automatisch, die Filterwechselanzeigen müssen jedoch manuell vom Benutzer zurückgesetzt werden. Drücken Sie dazu auf die Taste für den jeweils ausgetauschten Filter (HEPA oder Kohle), bis sich die Anzeige ausschaltet. Wiederholen Sie diesen Vorgang ggf. für andere Filtertypen. Beim Austausch eines Hybridfilters müssen beide Anzeigelampen (HEPA und Kohle) zurückgesetzt werden.

FEHLERBEHEBUNG

PROBLEM:	MÖGLICHE LÖSUNG:
Das Luftreinigungssystem startet nicht.	<ul style="list-style-type: none"> • Überprüfen Sie, dass das Gerät mit dem Netzteil verbunden ist. • Stellen Sie sicher, dass es sich bei den Filtern um AeraMax® PRO-Originalfilter handelt, da das Gerät bei Verwendung anderer Marken nicht funktioniert. WICHTIG: Richten Sie beim Einsetzen eines neuen Hybrid- oder HEPA-Filters den am Filter angebrachten Aufkleber für den zertifizierten AeraMax® PRO-Filter an dem an der Innenseite des Geräts aus. Die Pfeile müssen zur Rückseite des Geräts zeigen. • Weitere Einzelheiten finden Sie im Abschnitt zur Filteraustauschmethode. • Stellen Sie sicher, dass die vordere Wartungsklappe vollständig geschlossen ist. • Stellen Sie sicher, dass der Netzschalter auf EIN steht
Das Gerät macht ein schwaches, tickendes Geräusch.	<ul style="list-style-type: none"> • Dadurch wird angezeigt, dass der bipolare PlasmaTRUE™-Ionisator aktiviert ist.
Die HEPA- und/oder Kohle-Filterwechsel-Anzeigelampe leuchtet nach Austausch des bzw. der Filter(s) immer noch.	<ul style="list-style-type: none"> • Setzen Sie die Filterleuchte erneut gemäß den Anweisungen zurück.

ISTRUZIONI DI SICUREZZA/AVVERTENZE

Grazie per aver acquistato AeraMax® PRO AM II.

Si prega di leggere e conservare queste istruzioni. Leggere attentamente prima di tentare di azionare o effettuare la manutenzione di questo prodotto. Per la protezione personale e degli altri, attenersi a tutte le indicazioni sulla sicurezza. La mancata osservanza delle istruzioni può causare lesioni personali e/o danni alla proprietà. Conservare le istruzioni per consultarle quando necessario.

PRECAUZIONI E ISTRUZIONI IMPORTANTI PER L'USO DEL PURIFICATORE D'ARIA:

AVVERTENZA: Seguire scrupolosamente le istruzioni di questo manuale per ridurre il rischio di folgorazione, cortocircuito e incendio:

- Non usare questo purificatore d'aria come unica protezione dagli inquinanti nocivi.
- Usare questo apparecchio solo come previsto dal produttore. Per qualsiasi domanda, contattare il produttore.
- Non riparare né modificare l'apparecchio se non specificamente consigliato in questo manuale. Tutte le riparazioni devono essere eseguite da un tecnico qualificato.
- Non modificare la spina in nessun modo. Se la spina non entra nella presa di corrente, girarla di 180 gradi. Se ancora la spina non si adatta, rivolgersi ad un elettricista qualificato per fare installare una presa di corrente adatta.
- Non usare l'apparecchio se il cavo di alimentazione o la spina presenta danni, o se il collegamento con la presa di corrente è allentato.
- Non danneggiare, spezzare, piegare con forza, tirare con forza eccessiva, torcere, legare in un fascio, verniciare, schiacciare, far passare sotto a moquette o coprire con tappeti il cavo di alimentazione né collocare oggetti pesanti sopra di esso.
- Spolverare periodicamente la spina di alimentazione. Si riduce così il rischio di accumulazione dell'umidità e quindi il rischio di folgorazione.
- Prima di pulire l'apparecchio, rimuovere la spina di alimentazione dalla presa di corrente. Quando si rimuove la spina di alimentazione, afferrare la spina stessa, mai il cavo.
- Quando l'apparecchio non è in uso, rimuovere la spina di alimentazione dalla presa di corrente.
- Non maneggiare la spina di alimentazione con le mani bagnate.
- Usare solo la potenza elettrica (tensione e frequenza) specificata per il modello di purificatore d'aria installato.
- Non ostruire la presa d'aria o la bocchetta di uscita dell'aria del purificatore.
- Non usare l'apparecchio se non sono stati installati i filtri.
- Non lavare né riutilizzare i filtri.
- Non usare accessori o filtri diversi da AeraMax® PRO, perché l'apparecchio non funzionerebbe.
- Non spruzzare spray sopra o all'interno dell'apparecchio.
- Prima della pulizia o di un altro tipo di manutenzione, l'apparecchio deve essere scollegato dalla rete di alimentazione.
- Non usare detergenti per pulire l'apparecchio.
- Non introdurre dita, liquidi o oggetti estranei nella presa d'aria o nella bocchetta di uscita dell'aria.
- Non usare l'apparecchio per scopi diversi dalla purificazione dell'aria.
- Se il cavo di alimentazione è danneggiato e deve essere sostituito, per prevenire rischi tale operazione deve essere effettuata dal produttore, da un suo rappresentante o da una persona con qualifiche analoghe.
- Questo apparecchio può essere utilizzato da bambini di età uguale o superiore agli 8 anni e da persone con ridotte capacità fisiche, sensoriali o mentali oppure con mancanza di esperienza e competenza, solo se sotto supervisione o se informati sull'uso dell'apparecchio in condizioni di sicurezza e se comprendono gli eventuali rischi. I bambini non devono giocare con l'apparecchio. Le operazioni di pulizia e manutenzione non devono essere effettuate da bambini in assenza di supervisione.

Valido esclusivamente per la Germania.

- L'utilizzo è consentito esclusivamente al di fuori della Zona 2.
- È necessario utilizzare l'apparecchio con dispositivi di protezione dalla corrente residua (RCD, Residual Current Device) con una corrente di esercizio residua nominale non superiore a 30 mA.

GARANZIA LIMITATA DEL PRODOTTO

Garanzia limitata: Fellowes, Inc. ("Fellowes") garantisce che il sistema di controllo della qualità dell'aria AeraMax® PRO (il "Prodotto") sarà privo di difetti di materiali e fabbricazione per la durata di 3 anni dalla data d'acquisto. Nel caso in cui il Prodotto venga installato in una nuova struttura, il periodo di garanzia inizierà dalla data del permesso di occupazione o da un anno dopo la data d'acquisto, in base alla condizione che si verifichi per prima. Nel caso in cui si riscontrino difetti durante il periodo di garanzia, il rimedio esclusivo a disposizione del cliente sarà la riparazione o la sostituzione del prodotto difettoso, a carico di Fellowes e a sua discrezione. Questa garanzia non si applica ai danni causati dall'uso di filtri non approvati da Fellowes o dalla mancata osservanza degli intervalli di sostituzione specificati. Questa garanzia non è valida in caso di abuso e uso improprio dell'apparecchio, mancata osservanza degli standard di impiego del prodotto, alimentazione elettrica non corretta dell'apparecchio (diversa da quella indicata sull'etichetta) o riparazioni non autorizzate. Fellowes si riserva il diritto di addebitare al consumatore qualsiasi costo supplementare da essa stessa sostenuto per fornire ricambi o assistenza fuori dal Paese in cui il Prodotto è stato venduto da un rivenditore autorizzato. Questa garanzia non copre i filtri sostituibili. Nel caso in cui il Prodotto non sia prontamente accessibile al personale di assistenza designato da Fellowes, quest'ultima si riserva il diritto di fornire al cliente parti o Prodotti di ricambio nel pieno rispetto degli obblighi previsti dalla presente garanzia e di qualsiasi obbligo di assistenza. EVENTUALI GARANZIE IMPLICITE, COMPRESSE QUELLE DI COMMERCIALITÀ O IDONEITÀ PER UNO SCOPO SPECIFICO, SONO SOGGETTE AI LIMITI DI DURATA STABILITI NELLA GARANZIA SOPRA INDICATA. In nessun caso Fellowes sarà ritenuta responsabile di danni consequenziali, incidentali, indiretti o speciali. La presente garanzia concede diritti legali specifici. La durata, i termini e le condizioni della presente garanzia sono validi in tutto il mondo, a eccezione dei luoghi in cui, in base alle norme di legge, siano previste limitazioni, restrizioni o condizioni diverse.

CONTENUTO DELLA CONFEZIONE

- Purificatore d'aria AeraMax® PRO di categoria commerciale
- Filtro ibrido da 1,75" (4,4 cm), che include filtro True HEPA da 1,75" (4,4 cm e filtro al carbone attivo da 1,75" (4,4 cm)
- Viti (4) e rondelle (2) per montaggio a parete
- Tasselli per cartongesso
- Informazioni sulla registrazione
- Dima di montaggio a parete

SPECIFICHE DEL PRODOTTO

AeraMax® PRO AM II	
Dimensioni (A x L x P)	22,6 x 14 x 4 pollici (57,4 x 35,6 x 10,2 cm)
Peso del sistema (inclusi i filtri)	11,9 libbre (5,38 kg)
Requisiti di alimentazione	220-240 V, 50 Hz, 0,55 A
Consumo energetico (5 velocità della ventola)	5, 8, 13, 41, 71 watt
Erogazione d'aria (5 velocità della ventola)	35, 43, 51, 64, 100 CFM (59,5, 73, 86,6, 108,7, 170 m3/h)*
Decibel	45, 48, 51, 60, 64 dB
Display	Tattile capacitivo
Sensori	EnviroSmart™
Modalità di funzionamento controllate da sensore	2 modalità principali: modalità automatica e modalità manuale
Filtri forniti	(1) Filtro ibrido da 1,75" (4,4 cm), che include filtro True HEPA da 1,75" (4,4 cm) e filtro al carbone attivo da 1,75" (4,4 cm); con una durata media stimata del filtro di 1 anno. (1) prefiltro, durata prevista 3 mesi.
Sistema di pulizia	Il filtro ibrido include Ultrafiltro HEPA (High Efficiency Particulate Air) con efficienza nominale del 99,97% delle particelle aeree fino a 0,3 micron. Filtro al carbone che assorbe gli odori e i composti organici volatili, ionizzatore bipolare PlasmaTRUE™.
*CFM (m3/h) testati con filtro ibrido e apparecchio con orientamento verticale.	

FILTRI DI RICAMBIO

Rinforzi al carbone	Filtri aggiuntivi al carbone attivo granulare. Durata media del filtro di 6 mesi: 9544402 - 2 serie
True HEPA 1,75" (4,4 cm)	Ricambio del filtro True HEPA con trattamento AeraSafe™. Durata media del filtro di 2 anni: 9544301 - confezione da 1
Al carbone 1,75" (4,4 cm)	Filtro di ricambio al carbone attivo granulare. Durata media del filtro di 1 anno: 9544601 - confezione da 1
Ibrido 1,75" (4,4 cm)	True HEPA da 1,75" (4,4 cm) e al carbone da 1,75" (4,4 cm) con filtro di ricambio ibrido. Durata media del filtro di 1 anno: 9544501 - confezione da 1

Per maggiori informazioni sugli accessori e sui filtri di ricambio, visitare il sito: www.aeramaxpro.com

PANNELLO DEL DISPLAY



NOTA: la modalità manuale non sarà disponibile per 1 minuto dopo la prima accensione.

- 1 SENSORE DELLA QUALITÀ DELL'ARIA** – Questa spia monitora la qualità dell'aria e regola la velocità della ventola per mantenere l'aria esente da impurità. Il colore blu indica che è stato rilevato un basso livello di contaminanti, ambra indica un moderato livello di contaminanti e rosso indica un elevato livello di contaminanti.
- 2 MODALITÀ AUTOMATICA** – Per selezionarla, tenere premuto il pulsante fino a quando l'icona si illumina. Questa modalità monitora la qualità dell'aria, il movimento e il livello di rumore per regolare la velocità della ventola e mantenere l'aria esente da impurità nel modo più veloce possibile. La ventola ha 5 velocità e può raggiungere una velocità turbo per pulire la stanza in caso di elevati livelli di contaminante. Il numero di tacche illuminate intorno a questa icona indica la velocità della ventola. Questo pulsante comprende anche la MODALITÀ SILENZIOSA. Per selezionarla, tenere premuto il pulsante fino a quando diventa viola. La macchina continuerà ad usare EnviroSmart™ ma utilizzerà solo le 3 velocità della ventola più basse e silenziose delle 5.
- 3 MODALITÀ MANUALE** – Per selezionarla, premere il pulsante fino a quando l'icona si illumina. Questa modalità consente di selezionare una delle 5 velocità della ventola e di mantenere l'apparecchio a questa velocità fino a quando non si seleziona nuovamente la MODALITÀ AUTOMATICA. I sensori interni non regoleranno la velocità della ventola quando è in uso questa modalità. Il numero di tacche illuminate intorno all'icona della MODALITÀ AUTOMATICA indica la velocità della ventola.
- 4 TECNOLOGIA PlasmaTRUE™** – Crea un campo ionizzato che contribuisce a rimuovere in sicurezza gli inquinanti a diffusione aerea. Per attivare e disattivare la TECNOLOGIA PlasmaTRUE™, tenere premuta la spia PLASMA. Quando la TECNOLOGIA PlasmaTRUE™ viene attivata, si accende una luce blu. Per disattivarla, tenere premuta la spia "Plasma" finché la luce non si spegne.
- 5 SPIA DI SOSTITUZIONE DEL FILTRO AL CARBONE*** – Se la spia è rossa, il filtro deve essere sostituito. L'intervallo di sostituzione dipende dai filtri utilizzati, dal numero di ore di funzionamento, dalla qualità dell'aria e dalla velocità del flusso d'aria. Per le descrizioni delle spie di sostituzione dei filtri, consultare la sezione SOSTITUZIONE DEI FILTRI.
- 6 SPIA DI SOSTITUZIONE DEL FILTRO HEPA*** – Se la spia è rossa, il filtro deve essere sostituito. L'intervallo di sostituzione dipende dai filtri utilizzati, dal numero di ore di funzionamento, dalla qualità dell'aria e dalla velocità del flusso d'aria. Per le descrizioni delle spie di sostituzione dei filtri, consultare la sezione SOSTITUZIONE DEI FILTRI.

*Nota: se è in uso un filtro ibrido, risulteranno accese entrambe le spie HEPA e Carbon (Al carbone).

FUNZIONAMENTO

Il purificatore d'aria funziona sempre in modalità automatica; funzionerà inoltre su 5 livelli di velocità per eliminare i contaminanti dalla stanza. Quando l'aria sarà pulita e non saranno attivati sensori, l'apparecchio passerà alla modalità di risparmio energetico per ridurre i consumi e prolungare la durata dei filtri.

Se viene selezionata la modalità manuale, la spia Manual (Manuale) sul pannello di comando sarà blu. Questa modalità consente di selezionare una delle 5 velocità della ventola e di mantenere l'apparecchio a questa velocità fino a quando non si sceglie/seleziona la modalità automatica.

INSTALLAZIONE

Prima dell'installazione dell'apparecchio, leggere attentamente le istruzioni.

SICUREZZA

AVVERTENZA:

Ponderare l'ubicazione dell'apparecchio in relazione alla presa elettrica (la lunghezza del cavo è di circa 5' 5" [165 cm]).

Per evitare il rischio di folgorazione, verificare che l'alimentazione elettrica sia stata scollegata o disattivata prima di iniziare qualsiasi operazione di installazione.

Verificare che non siano presenti cavi elettrici, tubazioni o condotte dietro l'area di installazione/perforazione.

Per montare il purificatore d'aria su un montante esistente, si consiglia vivamente di sfruttare almeno 2 punti di fissaggio. Sono necessarie almeno 2 persone per l'installazione.

Seguire le istruzioni nella sezione Montaggio del gruppo principale.

UTENSILI CONSIGLIATI PER L'INSTALLAZIONE

- Trapano elettrico e punte per trapano (non inclusi)
- N. 2 cacciaviti a croce e n. 2 cacciaviti a testa piatta (non inclusi)
- Cappucci per cavi (non inclusi)
- Livella (non inclusa)
- Rilevatore di montanti

PARTI FORNITE PER L'INSTALLAZIONE

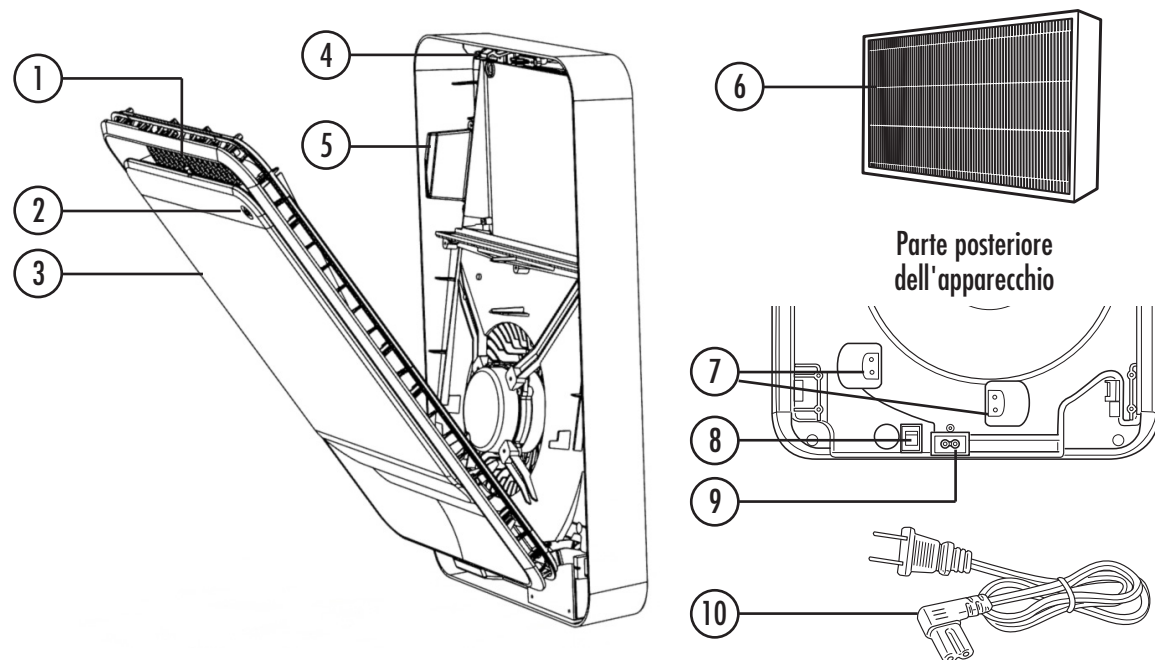
- Tasselli per cartongesso - Diametro esterno: 10 mm
- Viti a croce con testa troncoconica

LINEE GUIDA PER L'INSTALLAZIONE DEL PRODOTTO

Se il purificatore d'aria verrà montato in alto sulla parete, assicurarsi che il bordo superiore dell'apparecchio sia posizionato ad almeno 8 pollici (21 cm) dal soffitto per consentire la sostituzione dei filtri.

LEGENDA

1. Pannello di comando
2. Sensore di movimento
3. Pannello di accesso anteriore
4. Dispositivo di blocco del pannello di accesso
5. Adesivo del filtro certificato
6. Filtro ibrido con prefiltro
7. Ordina cavi
8. Interruttore di alimentazione
9. Presa del cavo di alimentazione
10. Spinotto IEC



PREPARAZIONE - Riferimento alla sezione LEGENDA

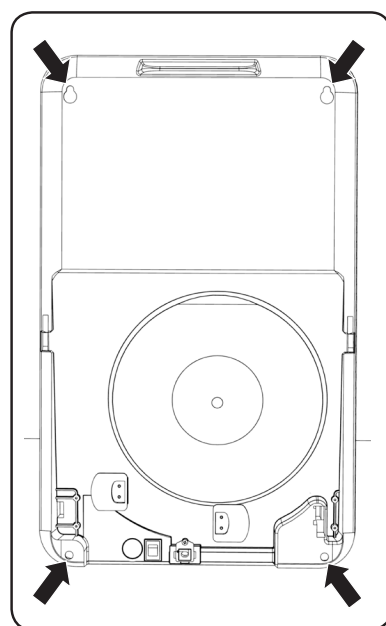
1. Aprire l'apparecchio spingendo verso il basso il dispositivo di blocco del pannello di accesso (4), tirando contemporaneamente verso di sé il pannello di accesso anteriore.
2. Rimuovere l'involucro dal filtro e riposizionarlo nell'apparecchio.
3. Inserire lo spinotto IEC (10) nella presa del cavo di alimentazione (9) sulla parte posteriore dell'apparecchio.

MONTAGGIO DEL GRUPPO PRINCIPALE

1. Per montare l'apparecchio scegliere un punto adiacente ad una presa di corrente standard (la lunghezza del cavo è circa 1,6 metri).
2. Utilizzando la dima di montaggio fornita, fare un segno sulla parete corrispondente alla posizione dei due punti di montaggio in alto. Se il punto di montaggio si trova su un montante esistente, non è necessaria alcuna preparazione. Se il punto di montaggio si trova solo su cartongesso o un altro tipo di superficie per la quale è necessario un supporto aggiuntivo, utilizzare dei tasselli.
3. [Solo per l'uso di tasselli] Per utilizzare dei tasselli, praticare un foro di 10 mm con il trapano nei punti dei fori di montaggio e inserire i tasselli nella parete.
4. Inserire le 2 viti superiori lasciando circa 1/4" (6 mm) tra la testa della vite e la parete. Non inserire completamente le viti.
5. Appendere l'apparecchio alle viti inserite nel passaggio precedente utilizzando i fori di montaggio superiori.
6. Aprire lo sportello anteriore dell'apparecchio e installare le 2 viti inferiori nei punti di montaggio inferiori.
7. Serrare tutte e 4 le viti finché sono a filo.
8. Per ottimizzare le prestazioni, collocare gli adesivi (2) forniti in corrispondenza delle posizioni dei due punti di montaggio in alto.
9. Rimuovere i filtri dalla confezione e installarli nell'apparecchio. Nota: l'adesivo di filtro certificato AeraMax Pro" presente sul filtro deve essere allineato all'adesivo identico presente nell'apparecchio. Se il filtro non viene installato correttamente, l'apparecchio non si accende.
10. Collegare il cavo di alimentazione a una presa di corrente standard.
11. Protendersi verso la parte posteriore dell'apparecchio, nel punto in basso a destra, per raggiungere l'interruttore di alimentazione e accendere l'apparecchio.

Nota: la modalità manuale non sarà disponibile per 1 minuto dopo la prima accensione.

4 punti di montaggio



CURA E MANUTENZIONE

PULIZIA:

- Pulire l'alloggiamento esterno come necessario passandovi sopra un panno asciutto e morbido; per le macchie, usare un panno inumidito con acqua tiepida.
- Non utilizzare fluidi volatili come benzene, solventi, polveri lucidanti o altri detersivi che potrebbero danneggiare la superficie dell'apparecchio.
- Pulire la presa d'aria e la bocchetta di uscita dell'aria con un panno asciutto e morbido.

SOSTITUZIONE DEI FILTRI:

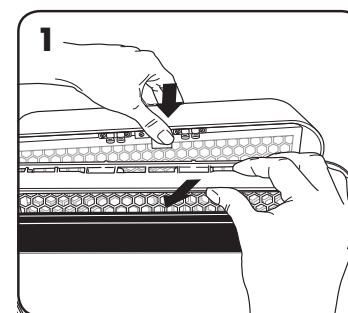
Le spie per la sostituzione dei filtri indicano quando occorre sostituire il filtro HEPA e/o i filtri al carbone. L'intervallo di sostituzione dipende dal numero di ore di funzionamento, dalla qualità dell'aria e dalla velocità del flusso d'aria. Tuttavia, in condizioni di uso normale la maggior parte dei filtri HEPA richiede la sostituzione ogni anno, i filtri al carbone ogni 6 mesi e i filtri ibridi ogni anno. Quando un filtro deve essere sostituito, la spia corrispondente HEPA o CARBON (AL CARBONE) assume il seguente colore:

Ambra lampeggiante = 90% di usura dei filtri (si consiglia di ordinare nuovi filtri)

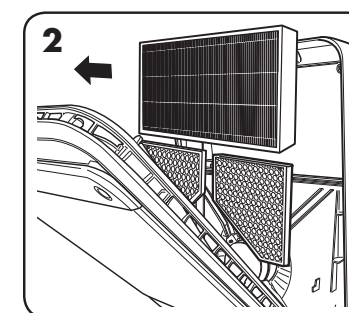
Rosso = 100% di usura dei filtri (sostituire con nuovi filtri)

Non lavare e non riutilizzare i filtri; non funzionerebbero efficacemente. Usare solo filtri di ricambio AeraMax® PRO perché l'apparecchio non funzionerebbe con altri ricambi.

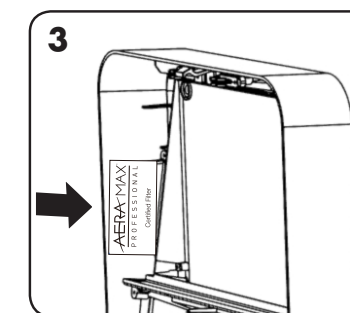
PROCEDURA DI SOSTITUZIONE DEI FILTRI:



1. Spingere verso il basso il dispositivo di blocco del pannello di accesso, tirando contemporaneamente verso di sé il pannello anteriore.



2. Rimuovere i filtri usati. 3. Prima di inserire i filtri nuovi, accertarsi di rimuovere l'involucro di plastica. Durante l'inserimento del filtro ibrido, accertarsi che il prefiltro verde si trovi sul lato di carbone nero e inserire prima tale lato con l'HEPA bianco rivolto verso l'esterno. Quando si inserisce un filtro ibrido o HEPA nuovo, allineare gli adesivi di filtro certificato AeraMax® PRO presenti sul filtro e nella parte interna dell'apparecchio. La freccia deve puntare verso la parte posteriore dell'apparecchio. Riferimento (5) nella sezione LEGENDA.



RIPRISTINO DELLA SPIA DEL FILTRO:

Durante l'installazione di un nuovo filtro, l'apparecchio rileverà automaticamente il tipo di filtro, ma l'utente dovrà ripristinare manualmente le spie di sostituzione dei filtri. Per ripristinare una delle spie di sostituzione dei filtri, tenere premuto il pulsante del tipo di filtro che è stato sostituito (HEPA o Carbon) fino a quando la spia si spegne. Ripetere l'operazione per altri tipi di filtro se necessario. Se è stato sostituito il filtro ibrido, ripristinare entrambe le spie HEPA e Carbon.

RISOLUZIONE DEI PROBLEMI

PROBLEMA:	SOLUZIONE POSSIBILE:
Il sistema di controllo della qualità dell'aria non si avvia.	<ul style="list-style-type: none"> • Verificare che l'apparecchio sia collegato all'alimentazione elettrica. • Assicurarsi che i filtri siano filtri originali AeraMax® PRO, perché l'apparecchio non funzionerebbe con altri marchi. IMPORTANTE: assicurarsi di allineare gli adesivi di filtro certificato AeraMax® PRO presenti sul filtro e nella parte interna dell'apparecchio. Le frecce devono puntare verso la parte posteriore dell'apparecchio. • Per ulteriori dettagli, fare riferimento alla sezione Procedura di sostituzione dei filtri. • Assicurarsi che il pannello di accesso anteriore sia completamente chiuso. • Assicurarsi che l'interruttore di alimentazione sia premuto.
L'apparecchio emette un fievole ticchettio.	<ul style="list-style-type: none"> • Questo suono indica che lo ionizzatore bipolare "PlasmaTRUE™" è in funzione.
La spia di sostituzione del filtro HEPA e/o del filtro al carbone rimane accesa dopo la sostituzione dei filtri.	<ul style="list-style-type: none"> • Ripetere la procedura di ripristino delle spie dei filtri.

NEDERLANDS

AeraMax® PRO Professionele Luchtreiniger: AM II

VEILIGHEIDSLINSTRUCTIES/WAARSCHUWING

Hartelijk dank voor uw aankoop van de AeraMax® PRO AM II.

Lees deze instructies a.u.b. door en sla ze ergens op. Lees dit zorgvuldig door voordat u probeert dit product in gebruik te nemen of te onderhouden. Bescherm uzelf en anderen door alle veiligheidsinstructies na te leven. Als u zich niet aan deze instructies houdt, kan dit persoonlijk letsel en/of schade aan voorwerpen tot gevolg hebben. Bewaar de instructies voor toekomstig gebruik.

BELANGRIJKE WAARSCHUWINGEN EN INSTRUCTIES VOOR HET GEBRUIK VAN DE LUCHTREINIGER:

WAARSCHUWING: Volg de instructies in deze handleiding om het risico op elektrische schok, kortsluiting en/of brand te verlagen:

- Gebruik deze luchtreiniger niet als enige bescherming tegen schadelijke stoffen.
- Gebruik dit apparaat alleen zoals bedoeld door de fabrikant. Neem contact op met de fabrikant als u vragen hebt.
- Repareer of wijzig het apparaat niet, tenzij dit specifiek in deze handleiding wordt aanbevolen. Alle reparaties moeten door een bevoegde monteur worden uitgevoerd.
- De stekker mag op geen enkele manier worden veranderd. Als de stekker niet in het stopcontact past, moet hij worden omgekeerd. Als de stekker nog steeds niet past, neemt u contact op met een bevoegde monteur om een goed stopcontact te laten installeren.
- Gebruik het apparaat niet als de stroomkabel of de stekker beschadigd zijn of als een en ander niet stevig in het stopcontact vast zit.
- Zorg ervoor dat u de stroomkabel niet beschadigt, breekt, geforceerd buigt, verdraait, samenbindt, verft, erin knijpt, onder de vloerbedekking legt, met kleedjes bedekt of er zware voorwerpen op plaatst en dat u niet aan de stroomkabel trekt.
- Stof de stekker regelmatig. Dit vermindert de kans dat zich hierop vocht kan verzamelen, wat het risico op elektrische schok vergroot.
- Haal de stekker uit het stopcontact voordat u het apparaat reinigt. Wanneer u de stekker uit het stopcontact haalt, doet u dit door de stekker zelf vast te pakken, nooit door aan de stroomkabel te trekken.
- Haal de stekker uit het stopcontact als het apparaat niet in gebruik is.
- Raak de stekker niet met natte handen aan.
- Gebruik alleen de juiste stroom (voltage en frequentie) zoals aangegeven voor het model luchtreiniger dat wordt geïnstalleerd.
- Zorg ervoor dat de luchtinlaat en -uitlaat van de luchtreiniger niet worden geblokkeerd.
- Gebruik het apparaat niet als de filters niet zijn geïnstalleerd.
- De filters kunnen niet worden gewassen en hergebruikt.
- Gebruik geen hulpstukken of filters die niet van het merk AeraMax® PRO zijn, het apparaat werkt anders niet.
- Gebruik geen spuitbussen op of in de unit.
- Koppel het apparaat los van de voeding voordat u het reinigt of hier ander onderhoud aan pleegt.
- Gebruik geen schoonmaakmiddel om het apparaat te reinigen.
- Steek geen vingers, vloeistoffen of vreemde voorwerpen in de luchtinlaat of -uitlaat.
- Gebruik het apparaat uitsluitend voor luchtreiniging.
- Als de elektriciteitskabel beschadigd is, moet deze om risico's te vermijden worden vervangen door de fabrikant, de reparatiedienst van de fabrikant of andere gekwalificeerde personen.
- Dit apparaat kan worden gebruikt door kinderen van 8 jaar of ouder en door personen met verminderde lichamelijke, zintuiglijke of geestelijke capaciteiten of met een gebrek aan kennis en ervaring, mits dit gebeurt onder toezicht of na instructie met betrekking tot het veilige gebruik van het apparaat en indien de betrokkenen begrijpen welke risico's hieraan verbonden zijn. Kinderen mogen niet met het apparaat spelen. Reiniging en onderhoud door de gebruiker mag alleen door kinderen worden uitgevoerd als een volwassene hierop toezicht houdt

Alleen in Duitsland.

- Gebruik is alleen toegestaan buiten Zone 2.
- Het apparaat moet samen met een aardlekbeveiliging (RCD) worden gebruikt, met een aardlekstroom van maximaal 30 mA.

BEPERKTE PRODUCTGARANTIE

Beperkte garantie: Fellowes, Inc. ("Fellowes") garandeert dat het AeraMax® PRO controlesysteem voor luchtkwaliteit (het "Product") gedurende 3 jaar na aankoopdatum vrij zal blijven van materiaal- en productiefouten. Indien het Product in een nieuw gebouw is geïnstalleerd, begint de garantietermijn op de datum van de gebruiksvergunning of één jaar na de datum van aankoop, al naar gelang welke hiervan de vroegere datum is. Als een onderdeel gedurende de garantietermijn defect blijkt te zijn, bestaat uw enige en exclusieve verhaal uit reparatie of vervanging, naar keuze en voor rekening van Fellowes, van het defecte onderdeel. Deze garantie dekt geen schade die wordt veroorzaakt door het gebruik van niet door Fellowes goedgekeurde filters of het niet volgen van het aanbevolen vervangingschema. Deze garantie is niet van toepassing in het geval van misbruik, verkeerd gebruik, het niet naleven van de gebruiksnormen voor het product, gebruik van een onjuiste stroombron (anders dan wat op het label vermeld staat), of onbevoegde reparatie. Fellowes behoudt zich het recht voor eventuele meerkosten bij de klant in rekening te brengen, die Fellowes moet maken om onderdelen of diensten te leveren buiten het land waarin het Product in eerste instantie door een erkende verkoper is verkocht. Vervangende filters vallen niet onder deze garantie. Indien het Product niet makkelijk toegankelijk is voor door Fellowes aangewezen onderhoudspersoneel, behoudt Fellowes zich het recht voor de klant van vervangende onderdelen of van een vervangend Product te voorzien om te voldoen aan haar verplichtingen onder deze garantie en eventuele dienstverleningsverplichtingen. ALLE IMPLICIETE GARANTIES, INCLUSIEF DE GARANTIES VAN VERKOOPBAARHEID OF GESCHIKTHEID VOOR EEN BEPAALD DOEL, WORDEN HIERBIJ IN DUUR BEPERKT TOT DE TOEPASSELIJKE GARANTIEPERIODE DIE HIERVOOR IS UITEENGEZET. Fellowes is in geen geval aansprakelijk voor eventuele gevolgschade, incidentele schade, indirecte schade of bijzondere schade. Deze garantie geeft u specifieke wettelijke rechten. De duur en voorwaarden van deze garantie zijn wereldwijd van kracht, behalve daar waar de plaatselijke wetgeving andere beperkingen of voorwaarden vereist.

INHOUD VAN DE VERPAKKING

- AeraMax® PRO Professionele Luchtreiniger
- 4,4 cm hybride filter (inclusief 4,4 cm True HEPA-filter & 4,4 cm geactiveerd koolstoffilter)
- Schroeven voor wandmontage (4) en sluitingen (2)
- Gipsplaatankers
- Registratiegegevens
- Sjabloon wandmontage

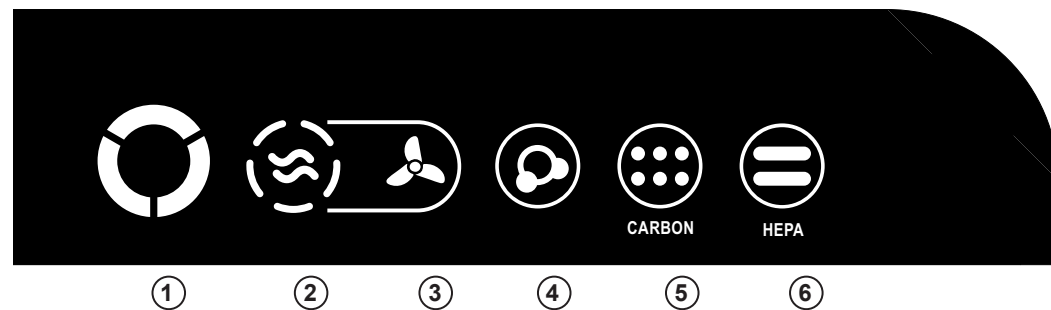
PRODUCTSPECIFICATIES

AeraMax® PRO AM II	
Afmetingen (H x B x D)	57,4 x 35,6 x 10,2 cm
Gewicht van systeem (inclusief filters)	5,38 kg
Stroomvereisten	220-240 volt, 50 Hz, 0,55 amp
Stroomverbruik (5 ventilatorsnelheden)	5, 8, 13, 41, 71 Watt
Luchtverplaatsing (5 ventilatorsnelheden)	35, 43, 51, 64, 100 CFM*
Decibel	45, 48, 51, 60, 64 dB
Display	Capacitief touchscreen
Sensoren	EnviroSmart™
Door sensor aangestuurde werkingsmodi	2 Primaire modi - Automatische modus en handmatige modus
Bijgeleverde filters	(1) 4,4 cm Hybride Filters (bevat 4,4 cm True HEPA-filter & 4,4 cm geactiveerde koolstoffilter) met een geschatte gemiddelde filterlevensduur van 1 jaar. (1) voorfilter, geschatte levensduur 3 maanden.
Reinigingssysteem	Hybride filters bevatten een HEPA-filter (High Efficiency Particulate Air) met een nominale efficiëntie van 99,97% fijnstof in de lucht bij 0,3 micron. Het koolstoffilter adsorbeert geur en vluchtige organische stoffen, PlasmaTRUE™ bipolaire ionisator.
*Luchtverplaatsingstest uitgevoerd met hybride filter en apparaat in verticale stand.	

VERVANGENDE FILTERS

koolstoffilterversterker	Extra granulaire geactiveerde koolstoffilters. Gemiddelde levensduur filter 6 maanden: 9544402 - 2 sets
4,4 cm True HEPA-filter	Vervangend True HEPA-filter met AeraSafe™-behandeling. Gemiddelde levensduur filter 2 jaar: 9544301 - 1 per verpakking
4,4 cm koolstoffilter	Vervangend granulaire geactiveerde koolstoffilter. Gemiddelde levensduur filter 1 jaar: 9544601 - 1 per verpakking
4,4 cm Hybride	4,4 cm True HEPA en 4,4 cm koolstoffilter met hybride vervangingsfilter. Gemiddelde levensduur filter 1 jaar: 9544501 - 1 per verpakking

Ga naar www.aeramaxpro.com voor meer informatie over vervangende filters en hulpstukken



OPMERKING: De handmatige modus is pas 1 minuut na de eerste start beschikbaar.

- ① **LUCHTKWALITEITSENSOR** – Deze indicator bewaakt de luchtkwaliteit en past automatisch de ventilatorsnelheid aan om uw lucht schoon te houden. Blauw geeft aan dat er weinig luchtverontreiniging is aangetroffen, geel geeft een gemiddeld niveau aan en rood betekent een hoog niveau.
- ② **AUTOMATISCHE MODUS** – Houd de knop ingedrukt tot het pictogram oplicht om dit te selecteren. In deze modus worden luchtkwaliteit, luchtverplaatsing en geluidsniveau bewaakt om de ventilatorsnelheid aan te passen en uw lucht zo snel mogelijk te reinigen. De ventilator heeft vijf snelheden en kan turbosnelheid halen om de ruimte te reinigen in het geval van een grote hoeveelheid luchtverontreiniging. De ventilatorsnelheid wordt aangegeven door het aantal verlichte streepjes rond dit pictogram. Deze knop includeert tevens de STILLE MODUS. U selecteert deze door de knop ingedrukt te houden tot deze paars wordt. Het apparaat blijft EnviroSmart™ gebruiken maar gebruikt alleen de drie laagste en meest stille van de vijf ventilatorsnelheden.
- ③ **HANDMATIGE MODUS** – Houd de knop ingedrukt tot het pictogram oplicht om dit te selecteren. Deze modus stelt u ertoe in staat een van de 5 ventilatorsnelheden te kiezen en de unit op deze snelheid te houden tot de modus Automatisch opnieuw wordt gekozen. De interne sensoren passen de ventilatorsnelheid niet aan in deze modus. De ventilatorsnelheid wordt aangegeven door het aantal verlichte streepjes rond het pictogram AUTOMATISCHE MODUS.
- ④ **PlasmaTRUE™ TECHNOLOGY** – Creëert een geïoniseerd veld voor het veilig verwijderen van in de lucht aanwezige verontreinigende stoffen. U kunt de PlasmaTRUE™ TECHNOLOGY aan en uit zetten door de PLASMA-indicator ingedrukt te houden. Wanneer de PlasmaTRUE™ TECHNOLOGY is ingeschakeld, gaat een blauw lampje branden. U schakelt de PlasmaTRUE™ TECHNOLOGY uit door de "Plasma"-indicator ingedrukt te houden tot het lampje uit gaat.
- ⑤ **VERVANGINGSINDICATOR KOOLSTOFFILTER*** – Als het lampje rood brandt, is het filter aan vervanging toe. Hoe lang het duurt voordat vervanging nodig is, is afhankelijk van de gebruikte filters, het aantal gebruiksuren, de luchtkwaliteit en de hoeveelheid verplaatste lucht. Zie de sectie FILTERVERVANGING voor beschrijvingen van de filtervervangingsindicatoren.
- ⑥ **VERVANGINGSINDICATOR HEPA-FILTER*** – Als het lampje rood brandt, is het filter aan vervanging toe. Hoe lang het duurt voordat vervanging nodig is, is afhankelijk van de gebruikte filters, het aantal gebruiksuren, de luchtkwaliteit en de hoeveelheid verplaatste lucht. Zie de sectie INDICATOREN FILTERVERVANGING voor beschrijvingen van de filtervervangingsindicatoren.

*NB - als een hybride filter wordt gebruikt, branden zowel de HEPA- als de Koolstof-indicators.

WERKING

De luchtreiniger werkt doorlopend in de automatische modus; de luchtreiniger gebruikt alle 5 snelheidsniveaus om verontreinigingen uit de lucht te halen. Zodra de lucht schoon is en er geen sensoren worden geactiveerd, schakelt de unit over op de energiebesparende modus om energieverbruik te reduceren en het levensduur van de filters te verlengen.

Wanneer de modus Handmatig geselecteerd is, brandt de indicator Handmatig blauw op het bedieningspaneel. Deze modus stelt u ertoe in staat een van de 5 ventilatorsnelheden te kiezen en de unit op deze snelheid te houden tot de modus Automatisch wordt gekozen/geselecteerd.

Lees de instructies zorgvuldig door voordat u het product installeert.

VEILIGHEID

WAARSCHUWING:

Wees voorzichtig waar u het apparaat plaatst met betrekking tot het stopcontact (elektriciteitskabel is ongeveer 1,65 m lang).

Zorg ervoor dat de het apparaat geen netstroom ontvangt of uit staat voordat u met de installatie begint. Dit om elektrocutie te voorkomen.

Zorg ervoor dat achter het installatie-/boorgebied geen elektrische bedrading, gas- of waterleidingen of andere leidingen liggen.

Wij raden ten eerste aan dat u minstens twee montagepunten gebruikt als u de luchtreiniger op een bestaande balk wilt monteren. Voor de installatie zijn 2 personen nodig.

Volg de instructies in de sectie Montage hoofdmodule.

VOOR INSTALLATIE AANBEVOLEN GEREEDSCHAPPEN

- Elektrische boor, boorkoppen (niet bijgeleverd)
- nr. 2 Phillips- en nr. 2 platte schroevendraaier (niet bijgeleverd)
- Lasdoppen (niet bijgeleverd)
- Waterpas (niet bijgeleverd)
- Balkzoeker

VOOR INSTALLATIE BIJGELEVERDE ONDERDELEN

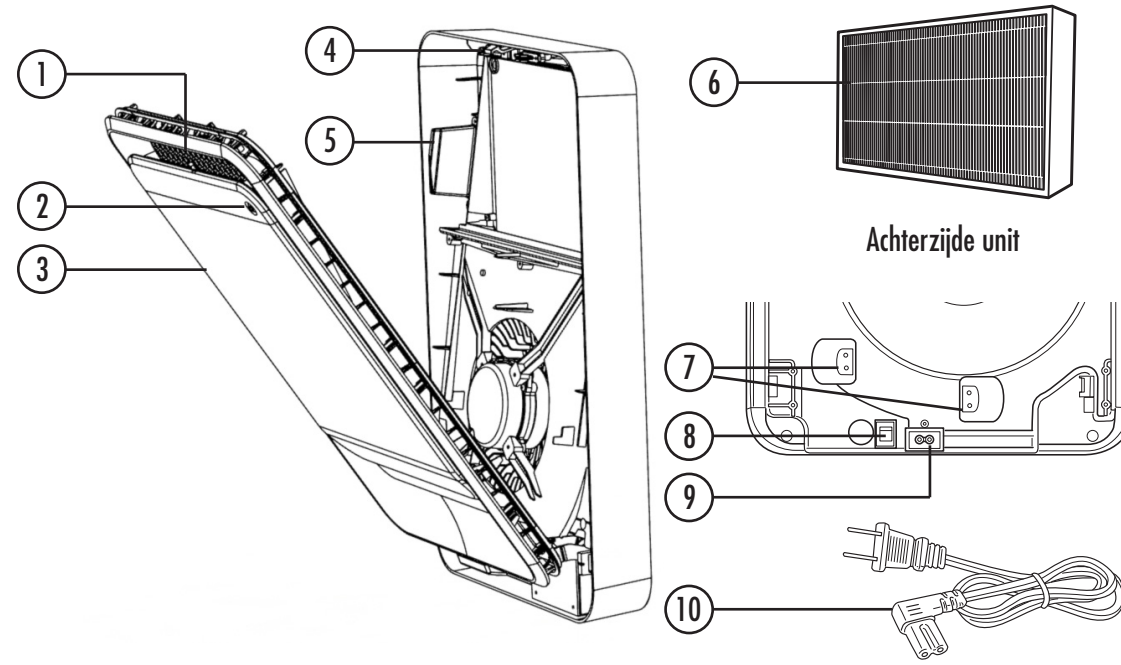
- Gipsplaatankers - 10mm OD
- Platte Phillips-schroeven met afgeronde kop

RICHTLIJNEN PRODUCTINSTALLATIE

Als de luchtreiniger hoog op de wand wordt gemonteerd, moet u ervoor zorgen dat de bovenrand van de unit zich minstens 21 cm onder het plafond bevindt, zodat u het filter kunt vervangen.

LEGENDA

1. Bedieningspaneel
2. Bewegingsensor
3. Toegangspaneel voorzijde
4. Vergrendeling toegangspaneel
5. Sticker gecertificeerd filter
6. Hybride filter met voorfilter
7. Kabelbeheer
8. Aan/uit-schakelaar
9. Contactdoos stroomkabel
10. IEC-plug



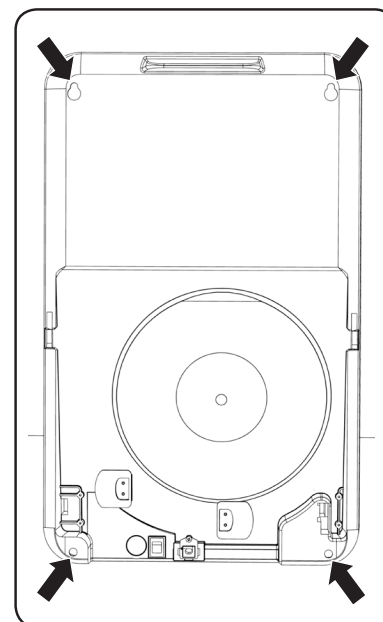
GEBRUIKSKLAAR MAKEN - Zie ook de sectie LEGENDA

1. Open het apparaat door de vergrendeling van het toegangspaneel (4) omlaag te drukken terwijl u het voorste toegangspaneel naar u toetrekt.
2. Verwijder de verpakking die rond het filter zit en plaats het filter terug in het apparaat.
3. Sluit de IEC-aansluiting (10) aan op de aansluiting voor de stroomkabel (9) aan de achterkant van het apparaat.

MONTAGE HOOFDMODULE

1. Kies een plaats waar u het apparaat wilt monteren, in de buurt van een standaard stopcontact (stroomkabel is ongeveer 1,6 m lang).
 2. Gebruik de montagesjabloon om de vier montage locaties te markeren op de wand. Als de montage locatie zich boven een bestaande balk bevindt, is geen voorbereiding nodig. Als de montage locatie zich op een gipsplaat of op een ander oppervlak bevindt waar extra ondersteuning nodig is, moet u ankers gebruiken.
 3. [Alleen bij montage met ankers] Als u ankers wilt gebruiken, dient u een gat van 10mm te boren op de locatie(s) voor de montagegaten. Installeer hier ankers in de muur.
 4. Plaats de bovenste twee schroeven. Laat hierbij ongeveer 6 mm tussen de kop van de schroef en de wand. Draai de schroeven niet helemaal in de wand.
 5. Hang het apparaat op aan de schroeven die u tijdens de vorige stap hebt geplaatst. Gebruik hierbij de bovenste montagegaten.
 6. Open de voorzijde van het apparaat en installeer de 2 onderste schroeven in de onderste montage locaties.
 7. Draai alle 4 schroeven volledig aan.
 8. Plaats de (2) meegeleverde stickers aan de binnenkant over de bovenste montagegaten voor een maximale prestatie.
 9. Verwijder de/het filter(s) uit de verpakking en installeer deze in het apparaat. Opmerking: De sticker "AeraMax Pro Certified Filter" op het filter moet worden uitgelijnd met de identieke sticker op het apparaat. Als het filter niet goed is geïnstalleerd, gaat het apparaat niet aan.
 10. Sluit de stroomkabel aan op het standaard stopcontact.
 11. Reik rechtsonder aan de achterkant van het apparaat om bij de aan/uit-knop te komen en zet het apparaat aan.
- NB: De handmatige modus is pas 1 minuut na de eerste start beschikbaar.

4 Montage locaties



VERZORGING EN ONDERHOUD

REINIGING:

- Reinig het apparaat zo nodig door het af te nemen met een droge, zachte doek. Voor hardnekkige vlekken gebruikt u een warme, vochtige doek.
- Gebruik geen vluchtige vloeistoffen zoals verfverdunder, schuurmiddel of andere reinigingsmiddelen die het oppervlak van het apparaat zouden kunnen beschadigen.
- Reinig de luchtinlaat en -uitlaat door deze schoon te vegen met een droge, zachte doek.

FILTERVERVANGING:

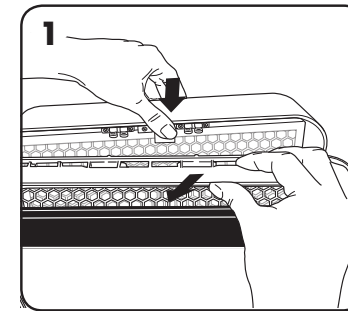
De filtervervangingsindicatoren signaleren wanneer het HEPA-filter en/of koolstoffilter moeten worden vervangen. Hoe lang het duurt voordat vervanging nodig is, is afhankelijk van het aantal gebruiksuren, de luchtkwaliteit en de hoeveelheid verplaatste lucht. Bij normaal gebruik moeten de meeste HEPA-filters echter ieder jaar worden vervangen, koolstoffilters om de zes maanden en hybride filters elk jaar. Wanneer een filter moet worden vervangen, wordt de volgende kleur weergegeven op de vervangingsindicatoren voor de HEPA- of KOOLSTOF-filters:

Geel knipperend = 90% vol (aanbeveling om nieuwe filters te bestellen)

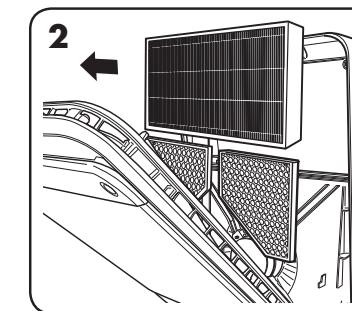
Rood = 100% vol (vervangen door nieuwe filters)

De filters mogen geen van allen worden gewassen en opnieuw gebruikt, omdat ze na wassen niet goed meer werken. Gebruik alleen AeraMax[®] PRO-filters als vervanging, aangezien units niet werken met andere merken.

PROCEDURE FILTERVERVANGING:

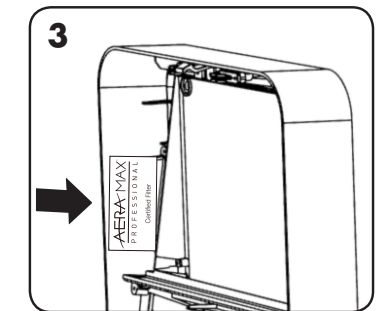


1. Druk de vergrendeling van het toegangspaneel omlaag terwijl u het voorpaneel naar u toetrekt.



2. Verwijder de/het oude filter(s). 3. Zorg ervoor dat u de plastic verpakking verwijdert wanneer u nieuwe filters plaatst. Wanneer u het hybride filter plaatst, dient u ervoor te zorgen dat het groene voorfilter over de zwarte koolstofzijde ligt en dient u deze zijde als eerste in te steken, waarbij de witte HEPA aan de buitenzijde ligt. Wanneer u nieuwe Hybride of HEPA-filters plaatst, moet u de stickers AeraMax[®] PRO Certified Filter op het filter en in de binnenzijde van het apparaat uitlijnen. De pijl moeten naar de achterzijde van het apparaat wijzen.

Zie item (5) in de LEGENDA.



RESETTEN VAN FILTERLAMPJES:

Wanneer u een nieuwe filter installeert, detecteert de unit automatisch het filtertype. De gebruiker moet de filtervervangingsindicatoren echter met de hand opnieuw instellen. Als u een van de filtervervangingsindicatoren wilt resetten, moet u de knop voor het filtertype dat is vervangen (HEPA of Koolstof) ingedrukt houden tot het lampje uitgaat. Herhaal dit waar nodig voor andere filtertypen. Wanneer u het hybride filter vervangt, dient u zowel het HEPA-indicatorlampje als het koolstofindicatorlampje te resetten.

PROBLEEMOPLOSSING

PROBLEEM:	MOGELIJKE OPLOSSING:
Het luchtreinigingssysteem start niet.	<ul style="list-style-type: none"> • Controleer of de unit op de netstroom is aangesloten. • Controleer of de filters echte AeraMax[®] PRO-filters zijn, aangezien de unit niet werkt als andere merken geïnstalleerd zijn. BELANGRIJK: Zorg ervoor dat de AeraMax Pro Certified-stickers op het filter en de binnenzijde van het apparaat zijn uitgelijnd. De pijlen moeten naar de achterzijde van het apparaat wijzen. • Zie de sectie Procedures filtervervangning voor meer informatie. • Zorg ervoor dat het toegangspaneel aan de voorkant helemaal gesloten is. • Zorg ervoor dat het apparaat aan staat.
Het apparaat maakt een zacht tikkend geluid.	<ul style="list-style-type: none"> • Dit geeft aan dat de PlasmaTRUE[™]-functie werkt.
De vervangingsindicator voor het HEPA- en/of het koolstoffilter blijft branden na vervanging van het filter/de filters.	<ul style="list-style-type: none"> • Herhaal de procedure voor het opnieuw instellen van de filterlampjes.

SÄKERHETSINSTRUKTIONER/VARNING

Tack för att du har köpt AeraMax® PRO AM II.

Läs och spara dessa instruktioner. Läs dem noggrant innan du försöker använda eller utföra underhåll på den här produkten. Skydda dig själv och andra genom att följa säkerhetsinformationen. Om dessa instruktioner inte följs kan det resultera i skada på person och/eller egendom. Behåll instruktionerna för framtida bruk.

VIKTIGA FÖRSIKTIGHETSANVISNINGAR OCH INSTRUKTIONER FÖR ANVÄNDNING AV LUFTRENARE:

VARNING: Följ instruktionerna i denna handbok för att minska risken för elektriska stötar, kortslutning och/eller eldsvåda:

- Använd inte den här luftrenaren som enda skydd mot skadliga föroreningar.
- Använd endast enheten på det sätt tillverkaren avser. Kontakta tillverkaren om du har frågor.
- Reparera eller modifiera inte apparaten såvida det inte rekommenderas specifikt i denna handbok. Alla reparationer ska utföras av en kvalificerad tekniker.
- Ändra inte stickkontakten på något sätt. Om stickkontakten inte passar i uttaget, prova att vända på den. Om den fortfarande inte passar, kontakta en behörig tekniker för att installera ett lämpligt uttag.
- Använd inte om elsladden eller stickkontakten är skadad eller om vägguttaget hänger löst.
- Du får inte skada elsladden, bryta den, böja den våldsamt, dra, vrida, bunta ihop, täcka över eller klämma ihop den, lägga den under mattor, täcka den med filtar eller placera tunga föremål på den.
- Damma av stickkontakten med jämna mellanrum. Detta minskar risken för ansamling av fukt, som kan öka risken för elektriska stötar.
- Dra ut stickkontakten ur eluttaget före rengöring av apparaten. När stickkontakten dras ur ska du gripa tag i själva kontakten, aldrig i sladden.
- Dra ut stickkontakten ur eluttaget när apparaten inte används.
- Hantera inte stickkontakten med våta händer.
- Använd endast strömförsörjning som följer angivna specifikationer (spänning och frekvens) för luftrenaren som installeras.
- Blockera inte luftrenarens luftintag eller utblås.
- Använd inte enheten utan att filter installerats.
- Tvätta inte och återanvänd inte något av filtren.
- Använd inte några andra delar eller filter än AeraMax® PRO eftersom enheten då inte fungerar.
- Spruta inte aerosoler på eller in i enheten.
- Man måste först koppla ur apparaten från elnätet före rengöring eller annat underhåll.
- Använd inte rengöringsmedel vid rengöring av enheten.
- Låt inte fingrar, vätskor eller främmande föremål komma in i luftintaget eller utblåset.
- Använd inte enheten i något annat syfte än luftrening.
- Om elkabeln är skadad ska den bytas ut av tillverkaren, serviceombudet eller någon annan behörig person för att undvika olyckor.
- Apparaten får användas av barn från 8 år och av personer som har nedsatt fysisk, sensorisk eller mental förmåga eller saknar erfarenhet och kunskap, under förutsättning att det sker under uppsikt eller de har fått anvisningar om säker användning av apparaten och förstär riskerna. Låt inte barn leka med apparaten. Barn får inte rengöra eller utföra underhåll på apparaten utan uppsikt.

Endast i Tyskland.

- Användning endast tillåten utanför zon 2.
- Enheten ska användas med jordfelsbrytare (RCD) med en märkström som inte överstiger 30 mA.

BEGRÄNSAD PRODUKTGARANTI

Begränsad garanti: Fellowes, Inc. ("Fellowes") garanterar att AeraMax® PRO luftkvalitetssystem ("produkten") är fri från materialdefekter och tillverkningsfel i 3 år efter inköpsdatumet. Om produkten installeras i ett nybygge börjar garantiperioden på det som infaller tidigast av tillträdesdatumet eller datumet ett år efter inköpsdatumet. Om någon del är defekt under garantiperioden kommer den enda och uteslutande ersättningen att bli reparation eller en ersättningsprodukt vald av Fellowes och kostnad motsvarande den defekta delen. Denna garanti täcker inga skador som uppstår genom användning av filter som ej har godkänts av Fellowes eller underlåtenhet att följa rekommenderade utbytesscheman. Denna garanti gäller inte vid missbruk, misskötsel, underlåtenhet att respektera föreskrifterna för produktanvändning, bruk av olämpligt eluttag (annat än vad som anges på märkskytten) eller icke auktoriserad reparation. Fellowes förbehåller sig rätten att debitera kunder för extra kostnader som Fellowes ådrar sig för att tillhandahålla reservdelar eller tjänster utanför det land där produkten ursprungligen såldes av en auktoriserad återförsäljare. Utbytbara filter omfattas inte av den här garantin. Om produkten inte är lättillgänglig för Fellowes servicepersonal förbehåller sig Fellowes rätten att förse kunden med reservdelar eller produkt i full överensstämmelse med de förpliktelser som beskrivs i denna garanti eller i eventuella serviceavtal. ALLA UNDERFÖRSTÅDDA GARANTIER, DÄRIBLAND FÖR SÄLJBARHET ELLER LÄMPLIGHET FÖR NÅGOT SPECIELLT ÄNDAMÅL, ÄR HÄR BEGRÄNSADE GENOM DEN TILLÄMPLIGA GARANTI PERIOD SOM ANGES OVAN. Fellowes kan under inga omständigheter hållas ansvarigt för följskador eller andra oavsiktliga, indirekta eller särskilda skador. Denna garanti ger dig specifika juridiska rättigheter. Villkoren och varaktigheten för denna garanti gäller överallt i världen utom där lokal lagstiftning ställer andra begränsningar eller villkor.

FÖRPACKNINGENS INNEHÅLL

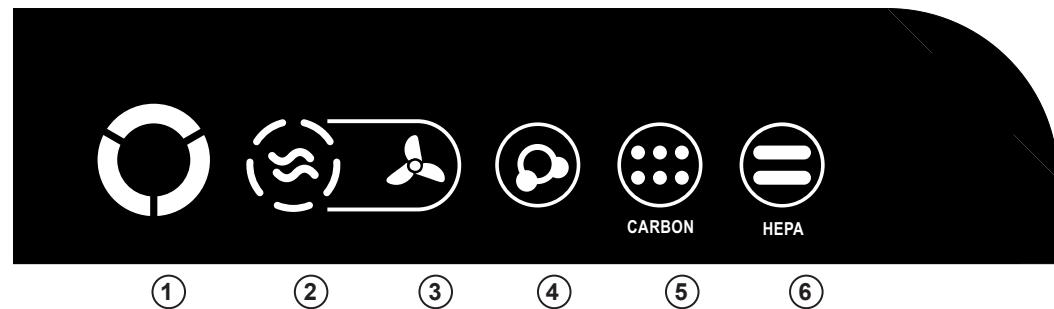
- AeraMax® PRO luftrenare för kommersiell användning:
- 4,4 cm hybridfilter (inkluderar 4,4 cm True HEPA & 4,4 cm kolfilter)
- Skruvar (4) och mellanlägg (2) för väggmontering
- Gipsplugg
- Registreringsinformation
- Mall för montering på vägg

PRODUKTSPECIFIKATIONER

AeraMax® PRO AM II	
Mått (höjd x bredd x djup)	57,4 x 35,6 x 10,2 cm
Systemets vikt (inklusive filter)	5,38 kg
Strömförsörjningskrav	220–240 V, 50 Hz, 0,55 A
Strömförbrukning (fem fläkthastigheter)	5, 8, 13, 41, 71 W
Lufttillförsel (fem fläkthastigheter)	35, 43, 51, 64, 100 CFM*
Decibel	45, 48, 51, 60, 64 dB
Display	Pekskärm
Sensorer	EnviroSmart™
Sensorstyrda driftlägen	Två primära lägen – automatiskt och manuellt läge
Medföljande filter	(1) 4,4 cm hybridfilter (inkluderar 4,4 cm True HEPA & 4,4 cm kolfilter) med en genomsnittlig filterlivslängd på 1 år. (1) förfilter, uppskattad livslängd på 3 månader
Rengöringssystem	Hybridfiltret inkluderar ett högeffektivt filter för luftburna partiklar (HEPA) klassat till 99,97 % effektivitet för partiklar på 0,3 mikrometer. Kolfilter som absorberar lukt och flyktiga organiska föreningar, PlasmaTRUE™ bipolar joniserare.
*CFM-testad med hybridfilter och maskin i vertikalt läge.	

ERSÄTTNINGSFILTER	
kol-boosters	Extra kolfilter. Sex månaders genomsnittlig filterlivslängd: 9544402 – 2 uppsättningar
4,4 cm True HEPA	True HEPA-ersättningsfilter med AeraSafe™-behandling. Två års genomsnittlig filterlivslängd: 9544301 – 1-pack
4,4 cm kol	Ersättningskolfilter. Genomsnittlig filterlivslängd 1 år: 9544601 – 1-pack
4,4 cm hybrid	4,4 cm True HEPA och 4,4 cm ersättningshybridkolfilter. Genomsnittlig filterlivslängd 1 år: 9544501 – 1-pack

Besök www.aeramaxpro.com för ytterligare information kring ersättningsfilter och tillbehör.



OBS: Man måste vänta en minut efter att man startat innan man kan använda det manuella läget.

- ① **LUFTKVALITETSSENSOR** – Indikatorn övervakar luftkvaliteten och justerar fläkthastigheten för att hålla luften ren. Blått indikerar att en låg nivå av föroreningar detekteras, gult indikerar en måttlig nivå av föroreningar och rött en hög nivå av föroreningar.
- ② **AUTOMATISKT LÄGE** – För att välja, tryck och håll ned knappen tills ikonen tänds. Det här läget övervakar luftkvalitet, rörelse och ljudnivå för att justera fläkthastigheten och därigenom hålla luften ren så snabbt som möjligt. Fläkten har fem hastigheter och kan nå turbohastighet för att rena luften i rummet vid höga halter av föroreningar. Antalet streckmärken som tänds runt denna ikon indikerar fläkthastigheten. Denna knappen inkluderar även LJUDLÖST LÄGE. För att välja detta, tryck och håll in tills knappen blir lila. Enheten kommer fortsätta att använda EnviroSmart™ men utnyttjar endast de 3 lägsta och mest ljudlösa av de 5 fläkthastigheterna.
- ③ **MANUELLT LÄGE** – För att välja, tryck och håll ned knappen tills ikonen tänds. I detta läge kan du välja fem fläkthastigheter och behålla denna hastighet tills du valt AUTOMATISKT LÄGE igen. De interna sensorerna justerar inte fläkthastigheten i detta läge. Antalet streckmärken som tänds runt ikonen AUTOMATISKT LÄGE indikerar fläkthastigheten.
- ④ **PlasmaTRUE™-TEKNIK** – Skapar ett joniserat fält för att hjälpa till att avlägsna luftburna föroreningar på ett säkert sätt. För att slå på och slå av PlasmaTRUE™-TEKNIK, tryck på och håll inne PLASMA-indikatorn. När PlasmaTRUE™-TEKNIK är aktiverad lyser en blå lampa. För att avaktivera PlasmaTRUE™-TEKNIK, tryck på och håll inne "Plasma"-indikatorn tills lampan slocknar.
- ⑤ **INDIKATOR FÖR KOLFILTERBYTE*** – Om lampan lyser rött betyder det att filtret behöver bytas. Hur ofta byte bör ske varierar beroende på filter som används, antal användningstimmar, luftkvalitet och luftflöde. För beskrivningar av indikatorer för filterbyte, se avsnittet FILTERBYTE.
- ⑥ **INDIKATOR FÖR HEPA-FILTERBYTE*** – Om lampan lyser rött betyder det att filtret behöver bytas. Hur ofta byte bör ske varierar beroende på filter som används, antal användningstimmar, luftkvalitet och luftflöde. För beskrivningar av indikatorer för filterbyte, se avsnittet INDIKATORER FÖR FILTERBYTE.

*Obs – om man använder ett hybridfilter kommer både indikatorn för HEPA-och kolfiltret att tändas.

KÖRNING

Luftrenaren går kontinuerligt i automatiskt läge: Luftrenaren kommer att köras i fem olika hastigheter för att rengöra rummet från föroreningar. När luften är ren och inga sensorer är aktiverade går enheten in i energisparläge för att minska energianvändningen och öka filtrens livslängd.

När manuellt läge har valts kommer indikatorn för manuellt läge att lysa blått. I detta läge kan du välja fem fläkthastigheter och behålla denna hastighet tills du valt automatiskt läge.

Läs instruktionerna noggrant innan installation av enheten.

SÄKERHET

VARNING:

Tänk på var du placerar apparaten i förhållande till eluttaget (sladdlängd cirka 1,6 m).

Kontrollera att strömförsörjningen har kopplats från eller stängts av innan installationsarbetet påbörjas, för att undvika risken för elektriska stötar.

Se till att inga elkablar, rör eller vattenledningar är belägna precis bakom installations-/borrområdet.

Det rekommenderas starkt att åtminstone två av luftrenarens monteringspunkter fästs vid en regel. Kräver två personer för installation.

Följ instruktionerna i avsnittet om att montera huvudenheten.

VERKTYG SOM REKOMMENDERAS VID INSTALLATION

- Elektrisk bormaskin, borrar (medföljer ej)
- Kryssmejsel (Phillips nr 2, PH2) och spårskruvmejsel nr 2 (medföljer ej)
- Toppklämmor (medföljer ej)
- Vattenpass (medföljer ej)
- Regel

MEDFÖLJANDE DELAR FÖR INSTALLATION

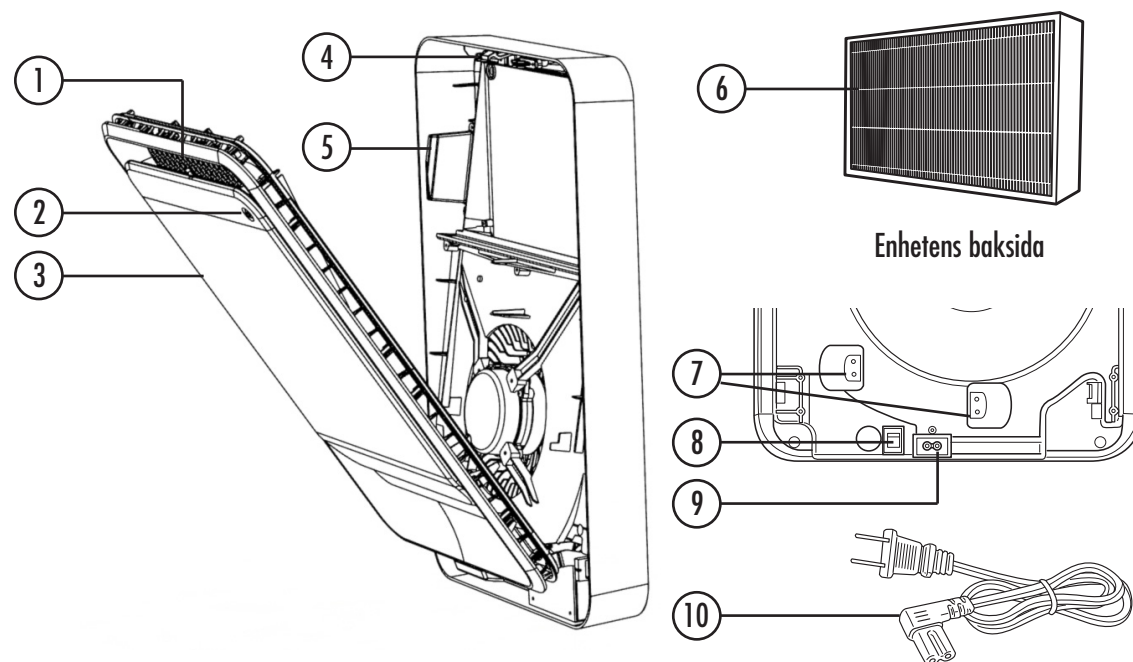
- Gipsplugg – ytterdiameter 10 mm
- Krysskruv

RIKTLINJER FÖR INSTALLATION AV PRODUKTEN

Om luftrenaren ska monteras högt upp på väggen, se till att dess överkant är åtminstone 21 cm från taket för att lämna utrymme för filterbyte.

FÖRKLARING

1. Kontrollpanel
2. Rörelsesensor
3. Åtkomstpanel
4. Spärrhake för åtkomstpanel
5. Certifieringsmärke för filter
6. Hybridfilter med förfilter
7. Kabelhantering
8. Strömbrytare
9. Uttag för elsladd
10. IEC-stickkontakt



KONFIGURATION - se avsnittet FÖRKLARING

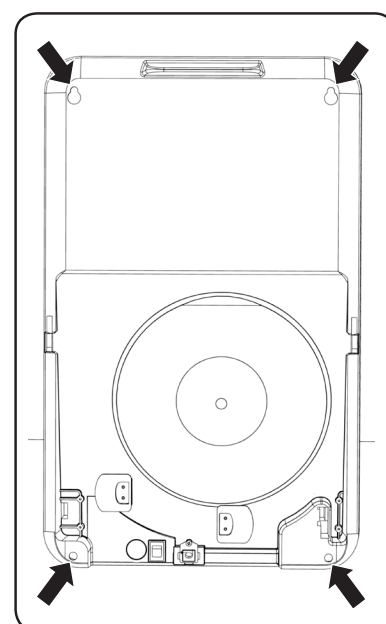
1. Öppna genom att trycka ned spärrhaken för åtkomstpanelen (4) samtidigt som du drar åtkomstpanelen mot dig.
2. Ta bort påsen från filtret och sätt tillbaka det i enheten.
3. Anslut IEC-stickkontakten (10) i elsladdsuttaget (9) på enhetens baksida.

MONTERA HUVUDENHET

1. Välj en plats nära ett eluttag där du vill installera enheten (sladdlängd cirka 1,6 meter).
2. Med hjälp av den medföljande monteringsmallen, markera de 4 monteringspunkterna på väggen. Om installationsplatsen är på en befintlig regel behöver man inte göra fler förberedelser. Använd beslag om installationsplatsen är på en gipsvägg eller en annan yta som kräver ytterligare stöd.
3. [Endast vid användning av beslag] När beslag ska användas, borra ett hål på 10 mm vid platserna för monteringshålen och montera beslagen på väggen.
4. Skruva in de 2 översta skruvarna och lämna ett utrymme på cirka 6 mm från skruvhuvudet till väggen. Skruva inte in hela vägen.
5. Häng enheten på skruvarna som skruvats in i föregående steg med hjälp av de övre monteringshålen.
6. Öppna enhetens främrdörr och installera de 2 nedersta skruvarna i de nedersta monteringspunkterna.
7. Dra åt alla 4 skruvar tills de är i jämnhöjd med enheten.
8. Placera de (2) tillhörande klistermärkena över platserna för de översta monteringshålen på insidan för bästa effekt.
9. Ta ut filtret/filtren ur förpackningarna och installera dessa i enheten. Obs: Certifieringsmärket för "AeraMax Pro" på filtret måste vara inpassat efter det identiska märket som finns på enheten. Enheten kommer inte att starta om man inte installerar filtret korrekt.
10. Koppla in elsladden i ett vanligt uttag.
11. Slå på strömbrytaren som sitter längst ned till höger på enhetens baksida.

Notera: Du måste vänta 1 minut efter att du startat enheten innan du kan använda manuellt läge.

4 Monteringsplatser



SKÖTSEL OCH UNDERHÅLL

RENGÖRING

- Rengör det yttre höljet genom att torka med en torr, mjuk trasa; använd en varm och fuktig trasa för fläckar.
- Använd inte flyktiga ämnen som bensen, förtunningsmedel eller rengöringsmedel i pulverform och dylikt, eftersom de kan skada apparatens yta.
- Rengör luftintag och utblås genom att torka med en torr, mjuk trasa.

FILTERBYTTE:

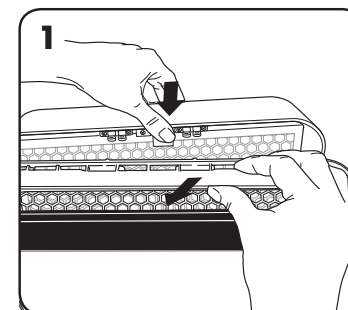
Indikatorlamporna för filterbyte signalerar när det är dags att byta ut HEPA-filtret och/eller kolfiltret. Hur ofta byte bör ske varierar beroende på antal användningstimmar, luftkvalitet och luftflöde. Under normal användning måste dock de flesta HEPA-filtret bytas ut varje år, kolfiltret måste bytas ut var 6:e månad och hybridfilter måste bytas ut varje år. När ett filter behöver bytas ut kommer någon av filterbytesindikatorerna för HEPA eller kol att visa följande färger:

Blinkande gul = 90 % filterslitage (beställning av nya filter rekommenderas)

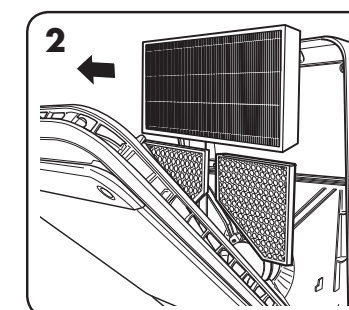
Rött = 100 % filterslitage (ersätt med nya filter)

Tvätta inte och återanvänd inte något av filtren – de kommer inte att fungera effektivt. Använd endast ersättningsfilter från AeraMax® PRO, eftersom enheten inte fungerar med andra sorter.

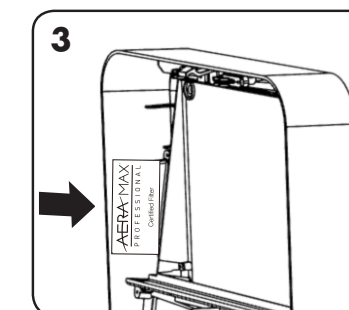
PROCEDUR FÖR FILTERBYTTE:



1. Tryck ned spärrhaken för åtkomstpanel samtidigt som du drar åtkomstpanelen mot dig.



2. Ta bort gammalt (gamla) filter. 3. När du sätter in nya filter, se då till att ta bort plastpåsen. När du sätter in hybridfiltret bör du se till att det gröna förfiltret sitter över den svarta kolsidan, och du bör sätta in den sidan först, med vita HEPA vänd utåt. När du sätter in nya hybrid- eller HEPA-filtret, rikta då in AeraMax® PRO-filtrens certifieringsmärke med enhetens insida. Pilen ska peka mot enhetens baksida. Referens (5) i NYCKEL-avsnittet.



ÅTERSTÄLLNING AV FILTERLAMPOR:

När ett nytt filter installeras kommer enheten att känna igen filtertypen automatiskt, men användaren måste återställa indikatorerna för filterbyte manuellt. För att återställa någon av indikatorerna för filterbyte ska man trycka ned och hålla inne knappen för filtertypen som byttes (HEPA eller kol) tills lampan släcks. Upprepa för andra filtertyper enligt behov. När man byter ut hybridfiltret ska man återställa indikatorerna för både HEPA och kol.

FELSÖKNING

PROBLEM:	MÖJLIG ÅTGÄRD:
Luftkvalitetssystemet startar inte.	<ul style="list-style-type: none"> • Kontrollera att enheten har strömförsörjning. • Kontrollera att filtren är äkta AeraMax® PRO-filtret, eftersom enheten inte fungerar med andra märken. VIKTIGT: Se till att passa in AeraMax PRO-certifieringsmärket på filtret med enhetens insida. Pilarna ska peka mot enhetens baksida. • Läs avsnittet för metoder för att byta filter för mer information. • Kontrollera att åtkomstpanelen i fronten är helt stängd. • Kontrollera att strömbrytaren är på.
Apparaten avger ett svagt tickande ljud.	<ul style="list-style-type: none"> • Detta indikerar att den bipolära "PlasmaTRUE™"-joniseraren används.
Indikatorlampan för HEPA- och/eller kolfiltret fortsätter att lysa efter filtren har bytts.	<ul style="list-style-type: none"> • Upprepa instruktionerna för återställning av filterlampor.

DANSK

AeraMax® PRO luftrensere i erhvervs-kvalitet: AM II

SIKKERHEDSVEJLEDNING/ADVARSEL

Tak fordi du købte AeraMax® PRO AM II.

Læs venligst og opbevar denne vejledning. Læs omhyggeligt inden du forsøger at betjene eller vedligeholde dette produkt. Beskyt dig selv og andre ved at overholde alle sikkerhedsoplysninger. Manglende overholdelse af vejledningen kan resultere i personskade og/eller beskadigelse af ejendom. Opbevar vejledningen til fremtidigt brug.

VIGTIGE ADVARSLER OG VEJLEDNINGER TIL BETJENING AF LUFTRENSER:

ADVARSEL: Følg vejledningen i denne manual for at mindske faren for elektrisk stød, kortslutning og/eller brand:

- Du må ikke anvende denne luftrensere som den eneste beskyttelse mod skadelige forureningskilder.
- Brug kun denne enhed til det formål som den er beregnet til fra producenten. Hvis du har nogen spørgsmål, bedes du kontakte producenten.
- Enheden må ikke repareres eller modificeres, medmindre det specifikt er anbefalet i manualen. Alle reparationer bør udføres af en kvalificeret tekniker.
- Stikket må ikke ændres på nogen måde. Vend stikket om, hvis det ikke passer ind i stikkontakten. Kontakt en kvalificeret elektriker for at montere den rigtige stikkontakt, hvis stikket ikke passer.
- Brug ikke, hvis ledningen eller stikket er beskadiget, eller hvis forbindelsen til stikkontakten er løs.
- Ledningen må ikke beskadiges, knækkes, bukkes unaturligt, trækkes i, drejes, samles, tildækkes, klemmes, trækkes under små gultæpper eller få tunge genstande placeret ovenpå.
- Fjern regelmæssigt støv fra stikkontakten. Det vil formindske risikoen for ophobning af fugtighed, hvilket kan øge risikoen for elektrisk stød.
- Tag strømstikket ud af stikkontakten før enheden rengøres. Tag fat i selve stikket, når det tages ud, aldrig ledningen.
- Tag stikket ud af stikkontakten, når enheden ikke er i brug.
- Tag ikke fat i ledningen med våde hænder.
- Brug kun elektrisk strøm (spænding og frekvens) som angivet for den pågældende luftrensere, der bliver installeret.
- Du må ikke tildække luftindtaget eller luftudsugningen på luftrenseren.
- Du må ikke anvende denne luftrensere som den eneste beskyttelse mod skadelige forureningskilder.
- Du må ikke vaske eller genbruge filtrene.
- Du må ikke bruge tilbehør eller filtre, som ikke er af AeraMax® PRO-mærket, da enheden ellers ikke virker.
- Du må ikke sprøjte aerosol på eller ind i enheden.
- Før rengøring eller anden vedligeholdelse skal apparatet afbrydes fra forsyningsnettet
- Du må ikke bruge rengøringsmidler til at rengøre enheden.
- Du må ikke komme fingre, væsker eller fremmedlegemer ind i luftindtaget eller -udsugning.
- Du må ikke anvende enheden til andre formål end luftfiltrering.
- Hvis ledningen, der medfølger, bliver beskadiget, skal den udskiftes af producenten, dennes serviceforhandler eller lignende kvalificeret personale for at undgå fare.
- Dette apparat kan anvendes af børn over 8 år og af personer med nedsatte fysiske, føle- eller mentale evner eller manglende erfaring eller viden, såfremt de er under opsyn eller har fået anvisninger i sikker brug af apparatet og forstår farerne. Børn må ikke lege med apparatet. Må ikke rengøres eller vedligeholdes af børn, der ikke er under opsyn.

Kun Tyskland

- Brug kun tilladt uden for Zone 2.
- Enheden bør bruges med en fejlstrømsafbryder (RCD) med en mærkestrøm, som ikke overskrider 30 mA.

BEGRÆNSET PRODUKTGARANTI

Begrænset garanti: Fellowes, Inc. ("Fellowes") garanterer, at AeraMax® PRO-luftkvalitetskontrolsystemet (herefter kaldet "produktet") ikke er behæftet med nogen fejl i udførelsen eller konstruktionen i 3 år fra købsdatoen. I tilfælde af, at produktet bliver installeret på en nyopført konstruktion, skal garantien træde i kraft på den dato, du flytter ind eller et år efter købsdatoen, hvad der end kommer først. Hvis det konstateres, at en del er defekt under garantiperioden, vil den eneste og eksklusive afhjælpende foranstaltning være reparation eller ombygning, efter Fellowes valg og omkostning, af den defekte del. Denne garanti dækker ikke skader, der er forårsaget pga. brug af andre filtre end de af Fellowes anbefalede filtre eller manglende overholdelse af udskiftningskemaet. Denne garanti er ugyldig i tilfælde af misbrug, forkert anvendelse, undladelse af at overholde produktets anvendelsesstandarder, betjening med forkert strømforsyning eller uautoriseret reparation. Fellowes forbeholder sig retten til at opkræve forbrugeren for yderligere omkostninger erholdt af Fellowes for at levere dele eller service udenfor det land, hvor maskinen oprindeligt blev solgt af en autoriseret detailforhandler. Denne garanti omfatter ikke udskiftningsfiltre. I tilfælde af, at produktet ikke er tilgængeligt for Fellowes autoriseret personale, forbeholder Fellowes sig retten til at levere reservedele eller produktet som fuldt ud tilfredsstillende i henhold til garantiens krav og serviceforpligtelser. ENHVER IMPLICIT GARANTI, INKLUSIV SALGBARHED ELLER BRUGSEGNETHED TIL ET SPECIELT FORMÅL, ER HERMED BEGRÆNSET I VARIGHED TIL DEN PÅGÆLDENDE GARANTIPERIODE SOM NÆVNT OVENFOR. Fellowes skal under ingen omstændigheder gøres ansvarlig for nogen følge- eller indirekte skader, som kan henføres til dette produkt. Denne garanti giver dig specifikke juridiske rettigheder. Varighed, betingelser og vilkår under denne garanti er gældende på verdensplan, undtagen hvor andre begrænsninger, restriktioner eller forhold kræves af den lokale lov.

PAKKEN INDEHOLDER

- AeraMax® PRO luftrensere i erhvervs-kvalitet
- 4,4 cm hybridfilter (inkluderer 4,4 cm True HEPA og 4,4 cm aktiveret kulstof)
- Skruer (4) og spændeskiver (2) til vægmontage
- Gipsankre
- Registreringsoplysninger
- Vægmonteringskabelon

PRODUKTSPECIFIKATIONER

AeraMax® PRO AM II	
Størrelser (H x B x D)	57,4 x 35,6 x 10,2 cm
Systemets vægt (inklusive filtre)	5,38 kg
Strømkrav	220-240 volt, 50 Hz, 0,55 amp
Strømforbrug (5 ventilatorhastigheder)	5, 8, 13, 41, 71 watt
Luftkapacitet (5 ventilatorhastigheder)	0,99, 1,22, 1,44, 1,81, 2,83 m ³ /min*
Decibel	45, 48, 51, 60, 64 dB
Skærm	Kapacitiv berøring
Sensorer	EnviroSmart™
Sensorkontrollerede driftstilstande	2 primære tilstande – Automatisk tilstand og manuel tilstand
Medfølgende filtre	(1) 4,4 cm hybridfilter (inkluderer 4,4 cm True HEPA og 4,4 cm aktiveret kulstof) med en anslået gennemsnitlig brugstid på 1 år. (1) forfilter, anslået brugstid 3 måneder.
Rensningssystem	Hybridfilter inkluderer High Efficiency Particulate Air (HEPA)-filter med normeret effektivitet på 99,97 % af luftbårne partikler ved 0,3 mikrometer. Kulstoffiltre absorberer lugt og ustabile organiske forbindelser, PlasmaTRUE™ topolet ioniser.
*m ³ /min testet med hybridfilter og maskinen i lodret retning.	

UDSKIFTNINGSFILTRE

kulstofforstærker	Yderligere granulært aktiveret kulstoffiltre. Gennemsnitlig holdbarhed 6 måneder: 9544402 – 2 sæt
4,4 cm True HEPA	True HEPA udskiftningsfilter med AeraSafe™-behandling. Gennemsnitlig holdbarhed af filtre 2 år: 9544301 – pakke med 1 stk.
4,4 cm kulstof	Granulært aktiveret kulstofudskiftningsfilter. Gennemsnitlig holdbarhed af filtre 1 år: 9544601 – pakke med 1 stk.
4,4 cm hybrid	4,4 cm True HEPA og 4,4 cm kulstof-udskiftningsfilter. Gennemsnitlig holdbarhed af filtre 1 år: 9544501 – pakke med 1 stk.

For yderligere oplysninger om udskiftning af filtre og tilbehør besøg: www.aeramaxpro.com



BEMÆRK: Manuel tilstand er ikke tilgængelig i 1 minut efter den første opstart.

- 1 **LUFTKVALITETSSENSOR** – Denne indikator overvåger luftkvaliteten og justerer ventilatorhastigheden for at rense luften. Blå indikerer, at kontaminanter på et lavt niveau er registreret, gul indikerer kontaminanter på moderat niveau og rød indikerer kontaminanter på højt niveau.
- 2 **AUTOMATISK TILSTAND** – Vælg ved at trykke og holde knappen, til ikonet lyser. Denne tilstand overvåger luftkvaliteten, bevægelser og støjniveau for at justere ventilatorhastigheden og bevare luften ren så hurtigt som muligt. Ventilatoren har 5 hastighedsniveauer og kan opnå turbohastighed for at rense luften i rummet i tilfælde af et højt kontaminantniveau. Antallet af oplyste markeringer omkring ikonet indikerer ventilatorhastigheden. Knappen omfatter også **STILLE TILSTAND**. Vælg ved at trykke og holde knappen, til den bliver lilla. Maskinen vil fortsætte med at bruge EnviroSmart™, men vil kun anvende de 3 laveste, som er de mest stille af de 5 ventilatorhastigheder.
- 3 **MANUEL TILSTAND** – Vælg ved at trykke på holde knappen, til ikonet lyser. Med denne tilstand kan du vælge en af de fem ventilatorhastigheder og køre enheden med denne hastighed, til **AUTOMATISK TILSTAND** er valgt igen. De indvendige sensorer justerer ikke ventilatorhastigheden i denne tilstand. Antallet af oplyste markeringer omkring **AUTOMATISK TILSTAND**-ikonet indikerer ventilatorhastigheden.
- 4 **PlasmaTRUE™-TEKNOLOGI** – Danner et ioniseret felt, der hjælper med at fjerne luftbårne forureningskilder på en sikker måde. For at tænde og slukke for PlasmaTRUE™ TEKNOLOGI berør og hold PLASMA-indikatoren. En blå lampe lyser, når PlasmaTRUE™ TEKNOLOGI er slået til. For at afbryde PlasmaTRUE™-TEKNOLOGI skal du trykke og holde "Plasma"-indikatoren, indtil lampen slukkes.
- 5 **KULSTOFFILTER-UDSKIFTNINGSINDIKATOR*** – Hvis lyset er rødt, betyder det, at filteret skal udskiftes. Udskiftningsintervallet afhænger af brugen af filteret, driftstimer, luftkvaliteten og luftstrømmen. For en beskrivelse af filterudskiftningsindikatorer se afsnittet **UDSKIFTNING AF FILTER**.
- 6 **HEPA-FILTER-UDSKIFTNINGSINDIKATOR*** – Hvis lyset er rødt, betyder det, at filteret skal udskiftes. Udskiftningsintervallet afhænger af brugen af filteret, driftstimer, luftkvaliteten og luftstrømmen. For en beskrivelse af filterudskiftningsindikatorer se afsnittet **FILTER UDSKIFTNINGSINDIKATORER**.

*Bemærk – Hvis der anvendes et hybridfilter, vil både HEPA- og kulstofindikatorerne lyse.

BETJENING

Luftrenseren fungerer kontinuerligt i automatisk tilstand; Luftrenseren kører med fem hastighedsniveauer for at rense lokalet for kontaminanter. Når først luften er renset og ingen sensorer er aktiverede, vil enheden overgå i energibesparende tilstand for at reducere energiforbruget og forlænge filterenes levetid.

Når manuel tilstand er valgt, lyser indikatoren for manuel tilstand på kontrolpanelet blå. Med denne tilstand kan du vælge en af de fem ventilatorhastigheder og køre enheden med denne hastighed, til automatisk tilstand er valgt.

Læs venligst vejledningen omhyggeligt inden montage af enheden.

SIKKERHED

ADVARSEL:

Vær opmærksom på apparatets placering i forhold til strømskikket (ledningen er ca. 1,65 m lang).

For at undgå fare for elektrisk stød skal du bekræfte, at strømforsyningen er blevet afbrudt eller ikke er tilsluttet, inden du påbegynder installationen.

Bekræft, at der ikke findes elektriske ledninger, rør eller ventilationskanaler bagved det sted, hvor du foretager installationen/borer hul.

Det anbefales kraftigt at benytte minimum to montagepunkter til fastgørelse af luftrenseren på en eksisterende lægte. Kræver 2 personer til montage.

Følg instruktionerne i afsnittet **Montering af hovedanordning**.

ANBEFALET VÆRKTØJ TIL MONTAGE

- Elektrisk boremaskine, borehoveder (medfølger ikke)
- Nr. 2 Phillips-skruetrækker og nr. 2 skruetrækker ligekærv (medfølger ikke)
- Stikpropper (medfølger ikke)
- Vaterpas (medfølger ikke)
- Lægtesøger

MEDFØLGENDE DELE TIL MONTAGE

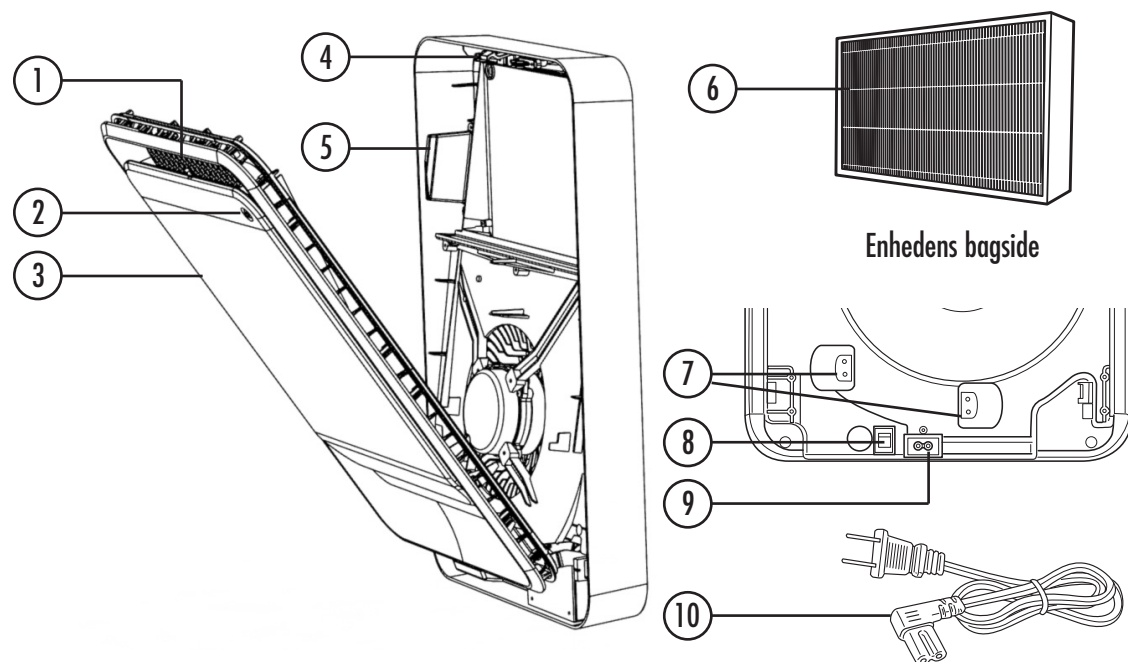
- Gipsvægsankre – 10 mm udvendig diameter
- Phillips-skruer med panhoved

PRODUKTINSTALLATIONSVEJLEDNING

Hvis luftrenseren skal monteres højt oppe på væggen, skal du sørge for, at enhedens øverste kant er mindst 21 cm under loftet for at give plads til udskiftning af filteret.

OVERSIGT

1. Kontrolpanel
2. Bevægelsessensor
3. Front-adgangspanel
4. Holdemekanisme til adgangspanel
5. Etiket for godkendt filter
6. Hybridfilter med forfilter
7. Ledningsstyring
8. Afbryder
9. El-tilslutning
10. IEC-stik



OPSÆTNING – Se afsnittet OVERSIGT

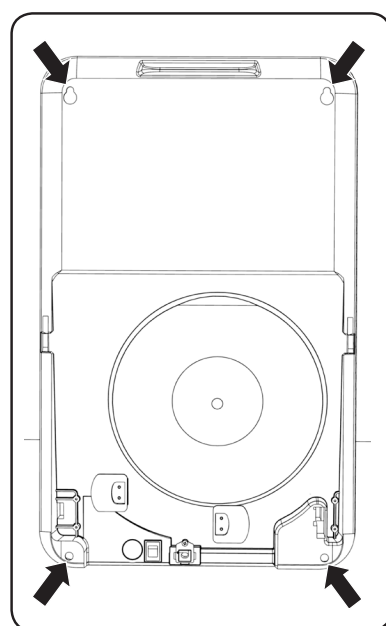
1. Åbn enheden ved at trykke holdemekanismen til adgangspanelet (4) ned, mens adgangspanelet hives mod dig.
2. Tag filtret ud af posen og sæt filtret i enheden.
3. Sæt IEC-stikket (10) i el-tilslutningen bag på enheden.

MONTERING AF HOVEDANORDNINGEN

1. Vælg et område til montering af enheden i nærheden af en standard stikkontakt (ledningen er ca. 1,6 m lang).
2. Brug monteringskabelonen til at markere de 4 monteringssteder på væggen. Forberedelse er ikke nødvendig, hvis monteringsstedet er på en eksisterende lægte. Brug ankre, hvis monteringsstedet er på blot en gipsvæg eller anden overflade, som kræver yderligere støtte.
3. [Kun ved brug af anker] Ankrene bruges ved at bore et 10 mm hul i monteringsstederne og sætte ankrene i væggen.
4. Skru de 2 øverste skruer i og lad ca. 6 mm af skruetoppen stikke ud af væggen. Skru ikke skrueene helt i.
5. Hæng enheden på de skruer, som blev monteret i det foregående trin ved hjælp af de øverste monteringshuller.
6. Åbn fordøren til enheden og monter de 2 skruer i de nederste monteringssteder.
7. Stram alle 4 skruer til de er plane.
8. Sæt de (2) medfølgende mærkater over de øverste monteringshuller inden i for at maksimere ydeevnen.
9. Fjern filtrene fra indpakningen, og sæt dem i enheden. Bemærk: "Etiket for AeraMax Pro-godkendt filter" på filteret skal flugte med den identiske etiket på enheden. Enheden kan ikke startes, hvis filteret ikke er korrekt sat i.
10. Sæt el-ledningen i en standard stikkontakt.
11. Ræk om på bagsiden af enheden for at nå strømkontakten og tænd for enheden.

Bemærk: Manuel tilstand er ikke tilgængelig i 1 minut efter den første opstart.

4 monteringssteder



OPBEVARING OG VEDLIGEHOLDELSE

RENGØRING:

- Rengør kabinettet udvendigt efter behov med en tør, blød klud; brug en varm, fugtig klud til pletter.
- Du må ikke anvende kraftige rengøringsmidler som rensbenzin, fortynder, skurepulver eller andre rengøringsmidler, der kan beskadige overfladen.
- Rengør luftindtaget og udsugningsventilatorerne ved at aftørre med en tør blød klud.

FILTERUDSKIFTNING:

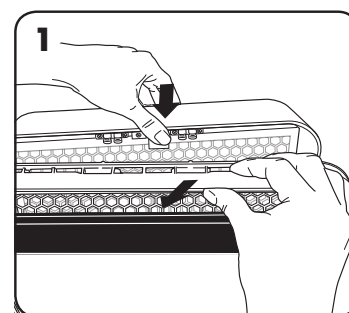
Indikatorerne til udskiftning af filtret antyder, når HEPA-filtret og/eller kulstoffiltret skal udskiftes. Udskiftningsintervallet afhænger af, hvor ofte filteret bruges, luftens kvalitet og luftstrømmen. Under normale omstændigheder skal de fleste HEPA-filtre dog imidlertid udskiftes hvert år, kulstoffilter hvert halve år og hybridfiltre hvert år. farve på den relevante udskiftningsindikator for HEPA- eller KULSTOF-filtre:

Blinker gult = 90 % filterbrug (bestilling af nye filtre anbefales)

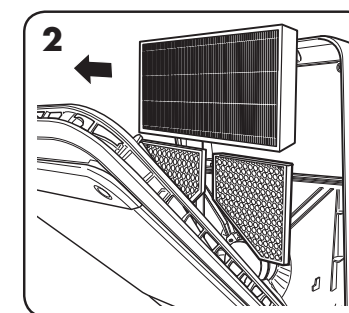
Rød = 100 % filterbrug (udskift med nye filtre)

Du må ikke rengøre og genbruge filtrene – de fungerer ikke ordentligt bagefter. Anvend kun filtre af AeraMax® PRO-mærket, da enheden ikke virker med nogen andre filtre.

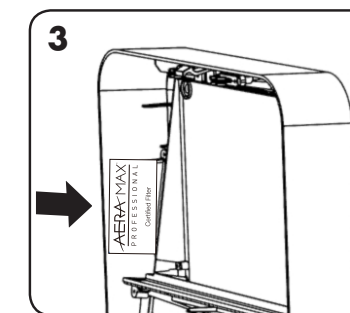
FILTERUDSKIFTNINGSPROCEDURE:



1. Tryk holdemekanismen til adgangspanelet ned, mens adgangspanelet hives mod dig.



2. Fjern de gamle filtre. 3. Husk at tage plastikposen af, når der sættes nye filtre i. Når hybridfilteret isættes, sørg for, at det grønne forfilter ligger på den sorte kulstoffs side, og isæt den side først med det hvide HEPA udadvendt. Når nye hybrid- eller HEPA-filtre sættes, flugtes etiketterne til AeraMax® PRO-godkendt filter på filtret og indvendigt i enheden. Pilen skal pege mod enhedens bagside. Se (5) i afsnittet OVERSIGT.



NULSTILLING AF FILTERLAMPE:

Når du installerer et nyt filter, vil enheden automatisk registrere filtertypen, men brugeren skal selv manuelt nulstille filterudskiftningsindikatoren. Indikatorerne til filterudskiftning nulstilles ved at trykke og holde knappen for den filtertype, som blev udskiftet (HEPA eller kulstof), til lampen lyser. Gentag for andre filtertyper efter behov. Når hybridfilteret udskiftes, skal både HEPA- og kulstof-indikatorerne nulstilles.

FEJLFINDING

PROBLEM:	MULIG LØSNING:
Luftkvalitetskontrollsystemet starter ikke.	<ul style="list-style-type: none"> • Kontroller om det er tilsluttet til strømforsyningen. • Sørg for, at filtre er originale AeraMax® PRO-filtre, eftersom enheden ikke fungerer korrekt med andre mærker. VIGTIGT: Sørg for at flugte etiketterne til AeraMax® PRO-godkendt filter på filtret og indvendigt i enheden. Pile skal pege mod enhedens bagside. • Se afsnittet Filterudskiftningsmetode for yderligere oplysninger. • Sørg for, at adgangspanelet er ordentligt lukket. • Sørg for, at strømmen er tilsluttet.
Enheden laver en svag tikkende lyd.	<ul style="list-style-type: none"> • Dette angiver, at "PlasmaTRUE™" topolet ioniser fungerer korrekt.
HEPA og/eller kulstoffilter-udskiftningsindikatorlampen bliver ved med at lyse efter udskiftning af filter.	<ul style="list-style-type: none"> • Gentag filterlampe-nulstillingsproceduren.

SUOMI

AeraMax® PRO – erittäin tehokas ilmanpuhdistin: AM II

TURVALLISUUSOHJEET JA VAROITUS

Kiitos, että ostit AeraMax® PRO AM II -tuotteen.

Lue ja säätä nämä ohjeet. Lue ohjeet huolellisesti, ennen kuin yrität käyttää tai huoltaa tätä tuotetta. Suojaa itseäsi ja muita noudattamalla kaikkia turvallisuusohjeita. Ohjeiden noudattamatta jättäminen voi aiheuttaa henkilövahinkoja ja aineellisia vahinkoja. Säilytä ohjeet myöhempää tarvetta varten.

TÄRKEITÄ ILMANPUHDISTIMEN KÄYTTÖÖN LIITTYVIÄ HUOMIOITA JA OHJEITA:

VAROITUS: Noudata tämän oppaan ohjeita vähentääksesi sähköiskun, oikosulun ja tulipalon vaaraa:

- Älä käytä tätä ilmanpuhdistinta ainoana suojana vahingollisia saasteita vastaan.
- Käytä laitetta vain sen valmistajan tarkoittamalla tavalla. Jos sinulla on kysymyksiä, ota yhteyttä valmistajaan.
- Älä korjaa tai muunna laitetta, ellei käyttöoppaassa erityisesti suositella toimimaan niin. Vain pätevä teknikko saa suorittaa korjaustoimenpiteitä.
- Älä muunna pistoketta millään tavalla. Jos pistoke ei sovi pistorasiaan, käännä se toisinpäin. Jos se ei siltikään sovi, ota yhteyttä pätevään teknikkoon, joka voi asentaa toimivan pistorasian.
- Älä käytä laitetta, jos sen virtajohto tai pistoke on vahingoittunut tai jos se istuu löyhästi pistorasiassa.
- Älä vahingoita, riko, taivuta väkisin, vedä, väännä, kierrä, päällystä tai purista virtajohtoa, äläkä peitä sitä matolla tai aseta sen päälle painavia esineitä.
- Pyyhi pöly säännöllisesti pistokkeesta. Tämä alentaa kosteuden kerääntymisen mahdollisuutta, sillä kosteus lisää sähköiskun vaaraa.
- Poista pistoke pistorasiasta ennen kuin puhdistat laitteen. Irrota pistoke pitämällä kiinni itse pistokkeesta, älä koskaan vedä johdosta.
- Irrota pistoke pistorasiasta, kun laite ei ole käytössä.
- Älä käsittele pistoketta märin käsin.
- Käytä vain sitä sähkövirtaa (jännite ja taajuus), jota asennettava ilmanpuhdistinmalli käyttää.
- Älä tuki ilmanpuhdistimen ilmanotto- tai ilmanpoistoaukkoja.
- Älä käytä laitetta ilman suodattimia.
- Älä pese ja käytä uudelleen mitään suodattimia.
- Älä käytä muita kuin AeraMax® PRO -merkkisiä lisälaitteita tai suodattimia, muutoin laite ei toimi.
- Älä suihkuta aerosoleja yksikön päälle tai sisään.
- Laite on irrotettava verkkovirrasta ennen puhdistusta tai muita huoltotoimenpiteitä.
- Älä käytä pesuaineita yksikön puhdistamiseen.
- Älä työnnä sormia, nesteitä tai vieraita esineitä ilmanotto- tai ilmanpoistoaukkoihin.
- Älä käytä laitetta mihinkään muuhun tarkoitukseen kuin ilman puhdistukseen.
- Jos virtajohto on vaurioitunut, valmistajan, valmistajan valtuuttaman huoltajan tai vastaavan pätevän tahon on vaihdettava se vaaran välttämiseksi.
- Tätä laitetta voivat käyttää yli 8-vuotiaat lapset ja henkilöt, joiden fyysiset, aistinvaraiset tai henkiset kyvyt tai kokemukset ja tiedot ovat tavanomaista heikommat, jos heitä on opastettu laitteen turvalliseen käyttöön ja jos he ymmärtävät siihen liittyvät vaaratekijät. Lapset eivät saa leikkiä laitteella. Lapset eivät saa puhdistaa tai huoltaa laitetta ilman valvontaa.

Koskee vain Saksaa.

- Käyttö on sallittua vain 2. vyöhykkeen ulkopuolella.
- Laitetta tulee käyttää sellaisten vikavirtasuojien kanssa, joiden nimellinen käyttöjännite ei ylitä 30 mA.

TUOTTEEN RAJOITETTU TAKUU

Rajoitettu takuu: Fellowes, Inc. ("Fellowes") myöntää AeraMax® PRO -ilmanlaadunhallintajärjestelmälle ("Tuote") takuun, joka kattaa materiaali- ja valmistusviat 3 vuoden ajan tuotteen ostopäivästä. Siinä tapauksessa, että Tuote asennetaan uuteen rakennukseen, takuuaika alkaa joko siitä päivästä, jona muuttolupa on saatu, tai yhden vuoden kuluttua ostopäivästä riippuen siitä, kumpi ajankohta on aikaisempi. Jos osassa havaitaan vika takuuaikana, ainoana ja yksinomaista ratkaisuna on viallisen osan korjaus tai vaihto Fellowesin valinnan mukaan ja kustannuksella. Tämä takuu ei kata vahinkoja, jotka aiheutuvat muiden kuin Fellowesin hyväksymien suodattimien käytöstä tai suosittelun vaihtoaikataulun noudattamatta jättämisestä. Takuu ei kata väärinkäyttöä, virheellistä käsittelyä, tuotteen normaaleista käyttötavoista poikkeavaa käyttöä, laitteen käyttöä epäasianmukaisella virtalähteellä (muu kuin tuotetarrassa on mainittu) tai valtuuttamatonta korjausta. Fellowes pidättää oikeuden veloittaa asiakkaalta mahdolliset lisäkustannukset, jotka aiheutuvat siitä, että Fellowes toimittaa asia tai palveluja muuhun kuin siihen maahan, jossa valtuutettu jälleenmyyjä on Tuotteen alun perin myynyt. Tämä takuu ei kata vaihdettavia suodattimia. Siinä tapauksessa, että Fellowesin nimetty huoltohenkilöstö ei helposti pääse käsiksi Tuotteeseen, Fellowes pidättää oikeuden toimittaa asiakkaalle varaosia tai koko Tuotteen noudattaen täysin tämän takuun ja mahdollisten palveluvaihtojen ehtoja. KAIKKIEN HILJAISTEN TAKUIDEN, MUKAAN LUKIEN KAUPALLISTAMINEN TAI SOVELTUVUUS TIETTYÄ TARKOITUSTA VARTEN, KESTO ON SITEN RAJATTU EDELLÄ MÄÄRÄTYN TAKUUAJAN MUKAISESTI. Fellowes ei vastaa missään tapauksessa mistään välillisistä, tahattomista tai epäsuorista vahingoista. Tämä takuu antaa käyttäjälle erityiset lainmukaiset oikeudet. Tämän takuun kesto ja ehdot ovat voimassa maailmanlaajuisesti lukuun ottamatta paikallisen lainsäädännön edellyttämiä erilaisia rajoituksia tai ehtoja.

PAKKAUKSEN SISÄLTÖ

- AeraMax® PRO – erittäin tehokas ilmanpuhdistin
- 4,4 cm:n hybridisuodatin (sisältää 4,4 cm:n True HEPA- ja 4,4 cm:n aktiivihiilisuodattimen)
- Ruuvit (4) ja aluslevyt (2) seinäkiinnitykseen
- Kiinnitysankkurit kipsilevyseinään
- Rekisteröintitiedot
- Seinäkiinnityskehikko

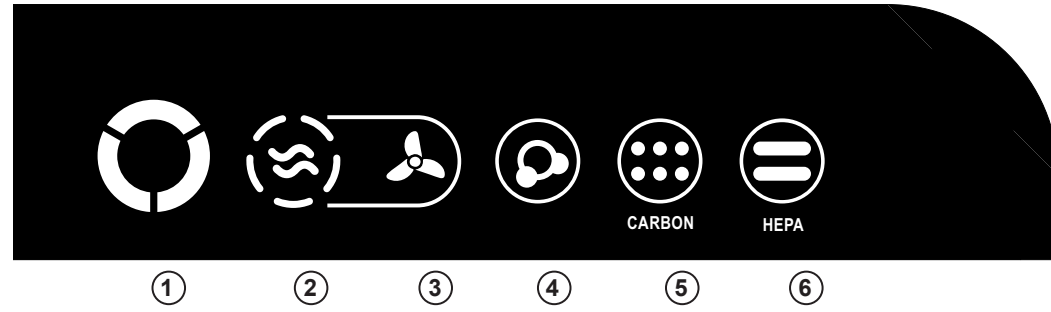
TUOTTEEN TEKNISET TIEDOT

AeraMax® PRO AM II	
Mitat (K x L x S)	57,4 x 35,6 x 10,2 cm
Laitteen paino (sisältäen suodattimet)	5,38 kg
Käyttöjännite	220–240 V, 50 Hz, 0,55 A
Virran kulutus (5 tuulettimen nopeutta)	5, 8, 13, 41, 71 wattia
Ilman kulku (5 tuulettimen nopeutta)	59, 73, 86, 108, 169 m ³ /h*
Desibelit	45, 48, 51, 60, 64 dB
Näyttö	Kapasitiivinen kosketusnäyttö
Sensorit	EnviroSmart™
Sensorien ohjaamat toimintatilat	Kaksi perustilaa – automaattinen ja manuaalinen tila
Toimitetut suodattimet	(1) 4,4 cm:n hybridisuodatin (sisältää 4,4 cm:n True HEPA- ja 4,4 cm:n aktiivihiilisuodattimen), jonka arvioitu keskimääräinen käyttöaika on 1 vuosi. (1) esisuodatin, arvioitu käyttöikä 3 kuukautta.
Puhdistusjärjestelmä	Hybridisuodatin sisältää High Efficiency Particulate Air (HEPA) -suodattimen, jonka nimellisteho on 99,97% ilmassa olevista pienhiukkasista 0,3 mikronin tarkkuudella. Hiilisuodatin adsorboi hajuja ja haihtuvia orgaanisia yhdisteitä, PlasmaTRUE™ bipolaarinen ionisaattori.
*m ³ /h testattu hybridisuodattimella ja laitteella pystysuorassa asennossa.	

VAIHTOSUODATTIMET

lisähiilisuodatin	Rakeiset aktiivihiilivaihtosuodattimet. Suodattimen keskimääräinen käyttöikä 6 kuukautta: 9544402 - 2 kpl
4,4 cm:n True HEPA	True HEPA -vaihtosuodatin, jossa AeraSafe™-käsittely. Suodattimen keskimääräinen käyttöikä 2 vuotta: 9544301 - 1 kpl
4,4 cm:n hiili	Rakeinen aktiivihiilivaihtosuodatin. Suodattimen keskimääräinen käyttöikä 1 vuosi: 9544601 - 1 kpl
4,4 cm:n hybridi	4,4 cm:n True HEPA- ja 4,4 cm:n hiilisuodatin, jossa hybridivaihtosuodatin. Suodattimen keskimääräinen käyttöikä 1 vuosi: 9544501 - 1 kpl

Lisätietoja vaihtosuodattimista ja lisävarusteista saat osoitteesta: www.aeramaxpro.com



HUOMAA: Manuaalinen tila ei ole käytettävissä 1 minuutin ajan heti laitteen käynnistyksen jälkeen.

- 1 **ILMANLAADUN TUNNISTIN** – Tämä merkkivalo tarkkailee ilman laatua ja pitää ilman puhtaana säätämällä tuulettimen nopeutta. Sininen tarkoittaa vähäistä, keltainen kohtalaista ja punainen korkea pienhiukkasten määrää.
- 2 **AUTOMAATTINEN TILA** – Valitse pitämällä painiketta alas painettuna, kunnes kuvakkeeseen syttyy valo. Tämä tila seuraa ilmanlaatua, liikettä ja äänentasoa ja säätää sitten tuulettimen nopeutta puhdistukseen ilman mahdollisimman nopeasti. Tuulettimessa on 5 nopeusasetusta ja laite voi puhdistaa huoneen turbonopeudella, jos huoneessa on paljon pienhiukkasia. Tämän kuvakkeen ympärillä olevien valaistujen merkkien lukumäärä kuvaa tuulettimen nopeutta. Tässä painikkeessa on myös HILJAINEN TILA. Valitse pitämällä painike alas painettuna, kunnes painike muuttuu violeiksi. Laite jatkaa EnviroSmart™ -teknologian käyttämistä hyödyntäen viidestä tuulettimen nopeudesta vain kolmea alhaisinta ja hiljaisinta.
- 3 **MANUAALINEN TILA** – Valitse pitämällä painiketta alas painettuna, kunnes kuvakkeeseen syttyy valo. Tässä tilassa voit valita yhden viidestä tuulettimen nopeudesta ja säilyttää tämän nopeuden, kunnes AUTOMAATTINEN TILA valitaan uudelleen. Sisäiset anturit eivät säädä tuulettimen nopeutta tässä tilassa. Tämän kuvakkeen ympärillä olevien valaistujen merkkien lukumäärä kuvaa tuulettimen nopeutta.
- 4 **PlasmaTRUE™ TEKNIikka** – Luo ionisoidun kentän, joka auttaa poistamaan ilman epäpuhtauksia turvallisesti. Voit kääntää PlasmaTRUE™ TEKNOLOGIAN päälle ja pois päältä painamalla PLASMA-painiketta. Kun PlasmaTRUE™ TEKNOLOGIA on käytössä, palaa sininen valo. Poista PlasmaTRUE™ TEKNOLOGIA käytöstä, painamalla "Plasma"-painiketta, kunnes valo sammuu.
- 5 **HIILISUODATTIMEN VAIHDON MERKKIVALO*** – Punainen valo tarkoittaa, että suodatin täytyy vaihtaa. Vaihtoväli riippuu käytettävästä suodattimesta, käyttötunneista, ilman laadusta ja ilmavirtauksen nopeudesta. Suodattimien vaihtamiseen liittyvien merkkivalojen kuvaukset ovat kohdassa SUODATTIMEN VAIHTO.
- 6 **HEPA-SUODATTIMEN VAIHDON MERKKIVALO*** – Punainen valo tarkoittaa, että suodatin täytyy vaihtaa. Vaihtoväli riippuu käytettävästä suodattimesta, käyttötunneista, ilman laadusta ja ilmavirtauksen nopeudesta. Suodattimien vaihtamiseen liittyvien merkkivalojen kuvaukset ovat kohdassa SUODATTIMEN VAIHDON MERKKIVALOT.

*Huomaa - hybridisuodatinta käytettäessä sekä HEPA- että hiilisuodattimen merkkivalot syttyvät.

KÄYTTÖ

Ilmanpuhdistin toimii jatkuvasti automaattisessa tilassa; Ilmanpuhdistin käyttää vuorollaan jokaista 5 nopeustasoa puhdistessaan huoneen pienhiukkasia. Kun ilma on puhdasta eikä mitään sensoreita ole päällä, yksikkö siirtyy virransäätötilaan, mikä säästää virtaa ja pidentää suodattimien käyttöikää.

Kun manuaalinen tila on valittu, manuaalisen tilan merkkivalo ohjauspaneelissa palaa sinisenä. Tässä tilassa voit valita yhden viidestä tuulettimen nopeudesta ja säilyttää tämän nopeuden, kunnes automaattinen tila valitaan.

Lue ohjeet huolellisesti ennen laitteen asennusta.

TURVALLISUUS

VAROITUS:

Huomioi pistorasian paikka laitetta sijoittaessasi (johdon pituus on n. 1,6 m).

Vältä sähköiskun vaara varmistamalla, että virransyöttö laitteeseen on katkaistu, ennen kuin aloitat asennuksen.

Varmista, ettei suoraan asennus- tai porausalueen takana ole sähköjohtoja, vesiputkia tai johtokanavia.

Ilmanpuhdistimen asennuksessa on erittäin suositeltavaa käyttää vähintään kahta koolauspuuhun kiinnitettävää asennuskiinnikettä. Asennukseen tarvitaan 2 henkilöä.

Noudata ohjeita kohdassa Laitteen kiinnitys seinään.

ASENNUKSEEN SUOSITELTAVAT TYÖKALUT

- Sähköpora, poranterät (ei toimitettu)
- # 2 ristipää- ja # 2 tasapääruuvimeisseli (ei toimitettu)
- Johtoliittimiä (ei toimitettu)
- Vatupassi (ei toimitettu)
- Koolinginpaikannin

ASENNUSTA VARTEN TOIMITETUT OSAT

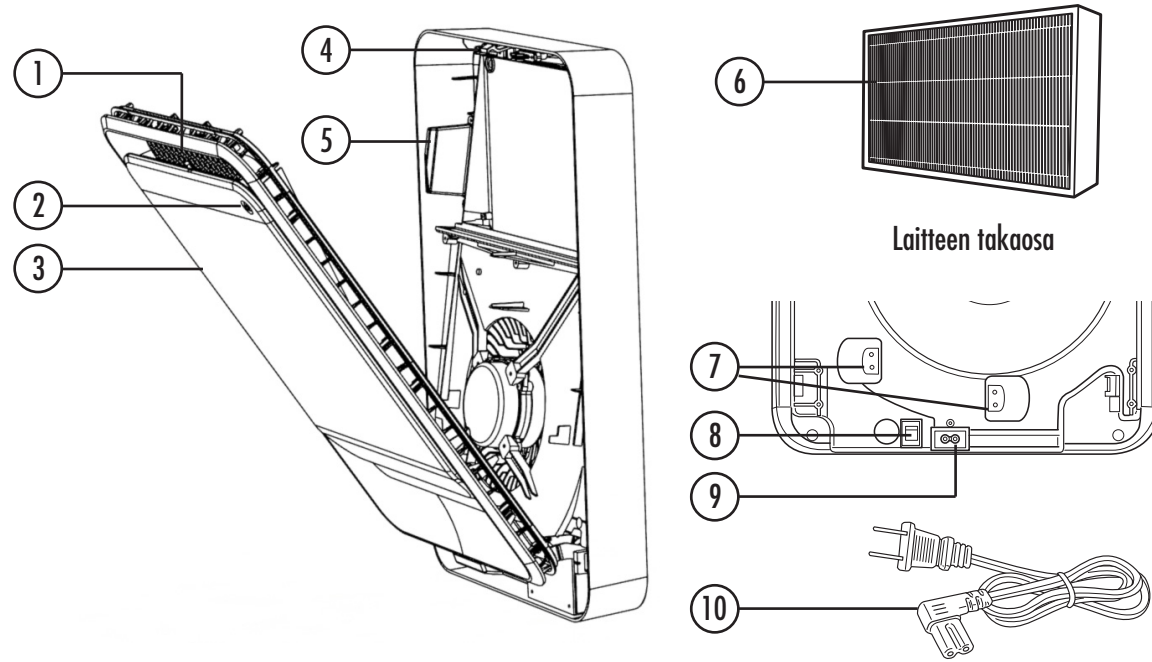
- Kipsilevyankkureita – ulkohalkaisija 10 mm
- Kupukantaisia ristipääruuveja

TUOTTEEN ASENNUSOHJEET

Jos ilmanpuhdistin asennetaan korkealle seinään, varmista, että laitteen ylälaita on vähintään 21 cm katon rajasta, jotta suodatin voidaan vaihtaa.

SELITYKSET

1. Ohjauspaneeli
2. Liikkeen tunnistin
3. Etuhuoltopaneeli
4. Huoltopaneelin salpa
5. Sertifioidun suodattimen tarra
6. Hybridisuodatin, jossa on esisuodatin
7. Johdonhallinta
8. Virtakytkin
9. Virtajohdon liitin
10. IEC-pistoke



ASENNUS - Lue MERKKIEN SELITYKSET -osio

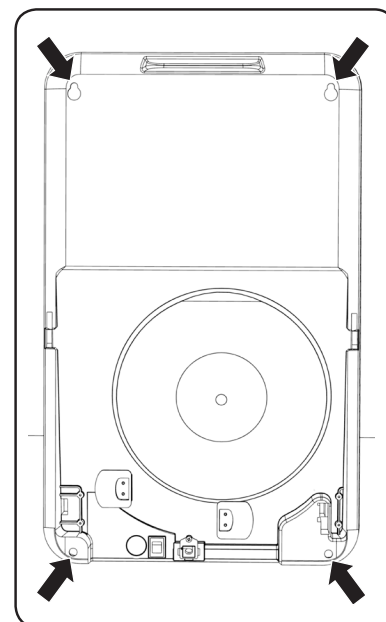
1. Avaa laite painamalla huoltopaneelin salpaa (4) alaspäin samalla, kun vedät etuhuoltopaneelia itseäsi kohti.
2. Poista pussi suodattimesta ja aseta takaisin laitteeseen.
3. Työnnä IEC-pistoke (10) laitteen takaosassa olevaan virtajohdon liittimeen (9).

LAITTEEN KIINNITYS SEINÄÄN

1. Kiinnitä laite paikkaan, jonka lähellä on pistorasia (johdon pituus on n. 1,6 metriä).
2. Merkitse seinään neljä kiinnityskohtaa kiinnityskehikon avulla. Jos kiinnityskohta sijaitsee koolingin päällä, valmisteluja ei tarvita. Jos kiinnityskohdassa on vain kipsiseinä tai muu ylimääräistä tukea vaativat pinta, käytä kiinnitysankkureita.
3. [Vain kiinnitysankkureita käytettäessä] Jos käytät kiinnitysankkureita, poraa kiinnityspaikkoihin 10 mm:n kokoiset reiät ja asenna ankkurit seinään.
4. Kiinnitä kaksi yläruuvia jättäen ruuvien kannan ja seinän väliin n. 1/4 tuumaa (6 mm). Älä ruuvaa ruuveja kokonaan.
5. Ripusta laite edellisessä vaiheessa asennettujen ruuvien päälle käyttäen ylempiä kiinnitysreikiä.
6. Avaa laitteen etuluukku ja kiinnitä kaksi alaruuvia alempiin kiinnityskohtiin.
7. Kiristä kaikkia neljää ruuvia, kunnes laite on tasaisesti.
8. Varmista laitteen ihanteellinen toiminta asettamalla kaksi (2) laitteen mukana toimitettua tarraa ylempien sisäkiinnitysaukkojen kohdalle.
9. Poista suodattimet pakkauksistaan ja aseta ne laitteeseen. Huomaa: Suodattimen AeraMax Pro -sertifiointitarra on kohdistettava laitteessa olevan identtisen tarraan kanssa. Jos suodatinta ei aseteta oikein, laite ei käynnisty.
10. Liitä virtajohto pistorasiaan.
11. Kurkota laitteen taakse alhaalta oikealta ja käynnistä laite virtakytkimestä.

Huomautus: Manuaalinen tila ei ole käytettävissä 1 minuutin ajan heti laitteen käynnistyksen jälkeen.

4 kiinnityspaikkaa



KUNNOSSAPITO JA HUOLTO

PUHDISTUS:

- Puhdista ulkopuoli tarvittaessa pyyhkimällä kuivalla ja pehmeällä pyyhkeellä; poista tahrat lämpimällä ja kostealla pyyhkeellä.
- Älä käytä haihtuvia nesteitä, kuten benseeniä, ohenteita, hankausjauhetta tai muita puhdistusaineita, jotka voivat vahingoittaa laitteen pintaa.
- Puhdista ilmanotto- ja ilmanpoistoaukot pyyhkimällä kuivalla ja pehmeällä pyyhkeellä.

SUODATTIMEN VAIHTAMINEN:

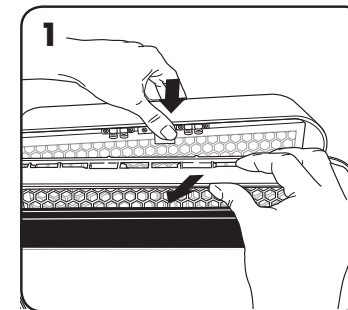
Suodattimen vaihdon merkkivalot ilmoittavat, kun HEPA-suodatin ja/tai hiilisuodattimet on vaihdettava. Vaihtoväli riippuu käyttötunneista, ilman laadusta ja ilmavirtauksen nopeudesta. Normaalikäytössä useimmat HEPA-suodattimet pitää kuitenkin vaihtaa vuoden välein, hiilisuodattimet kuuden kuukauden välein ja hybridisuodattimet vuoden välein. Kun suodatin on vaihdettava, HEPA- tai HIILI-suodattimen vaihdon merkkivalo muuttuu seuraavan väriksi.

Keltaisena vilkkuva = 90-prosenttinen suodattimen kuluminen (uusien suodattimien tilaamista suositellaan)

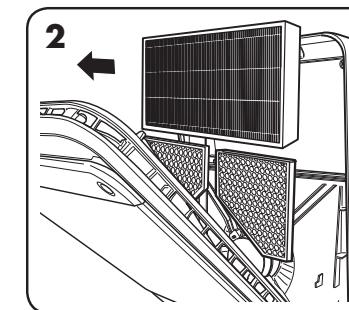
Punainen = 100-prosenttinen suodattimen kuluminen (vaihda uudet suodattimet)

Älä pese ja käytä uudelleen mitään suodattimia – ne eivät toimi tehokkaasti. Käytä vain AeraMax® PRO -merkkisiä vaihtosuodattimia, sillä laitteet eivät toimi muita vaihtosuodattimia käytettäessä.

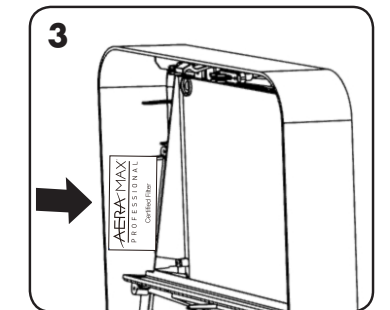
OHJEET SUODATTIMEN VAIHTAMISEEN:



1. Paina huoltopaneelin salpaa alaspäin samalla, kun vedät etuhuoltopaneelia itseäsi kohti.



2. Poista vanhat suodattimet. 3. Varmista uusia suodattimia asettaessasi, että olet poistanut ne muovipusseista. Kun asennat hybridisuodatinta, varmista, että vihreä esisuodatin on mustan hiilisuodattimen sivun päällä, ja työnnä suodatin niin, että tämä sivu tulee ensin ja valkoinen HEPA-suodatin osoittaa ulospäin. Kun asetat uusia hybridi- tai HEPA-suodattimia, kohdista AeraMax® PRO -suodattimien sertifiointitarra laitteen sisäosan tarrojen kanssa. Nuolen tulee osoittaa kohti laitteen takaosaa. Kohta (5) MERKKIEN SELITYKSET -osiossa.



SUODATTIMEN VALON NOLLAAMINEN:

Laite tunnistaa automaattisesti suodattimen tyyppin, kun asennat uuden suodattimen, mutta käyttäjä joutuu manuaalisesti nollaamaan suodattimen vaihdon merkkivalot. Voit nollata suodattimen vaihdon merkkivalot pitämällä vaihdetun suodatintyyppin painiketta (HEPA tai hiili) alapainettuna, kunnes valo sammuu. Toista tarvittaessa muille suodatintyypeille. Kun vaihdat hybridisuodattimen, nollaa sekä HEPA- että hiilisuodattimen merkkivalot.

VIANMÄÄRITYS

ONGELMA:	MAHDOLLINEN RATKAISU:
Ilmanlaadun hallintajärjestelmä ei käynnisty.	<ul style="list-style-type: none"> • Varmista, että yksikkö on kytketty virtalähteeseen. • Varmista, että suodattimet ovat aitoja AeraMax® PRO -suodattimia, sillä laite ei toimi muiden merkkien kanssa. TÄRKEÄÄ: Kohdista suodattimessa olevat AeraMax® PRO -sertifiointitarra laitteen sisäosan tarrojen kanssa. Nuolten tulee osoittaa kohti laitteen takaosaa. • Saat lisätietoja lukemalla Suodattimen vaihtotapa -osion. • Varmista, että etuhuoltopaneeli on kokonaan suljettu. • Varmista, että virta on kytketty päälle.
Yksiköstä kuuluu hiljainen tikittävä ääni.	<ul style="list-style-type: none"> • Tämä tarkoittaa, että bipolaarinen PlasmaTRUE™-ionisaattori toimii.
HEPA-suodattimen tai hiilisuodattimen vaihdon merkkivalo palaa, vaikka suodatin tai suodattimet on vaihdettu.	<ul style="list-style-type: none"> • Toista suodattimen valon nollaus.

NORSK

AeraMax® PRO luftrensere av kommersiell kvalitet: AM II

SIKKERHETSINSTRUKSJONER/ADVARSEL

Takk for at du kjøpte AeraMax® PRO AM II.

Vennligst les og ta vare på disse instruksjonene. Les dem nøye før du forsøker å bruke eller vedlikeholde dette produktet. Beskytt deg selv og andre ved å følge alt i sikkerhetsinformasjonen. Dersom du unnlater å overholde disse instruksjonene kan det resultere i personskade og/eller materiell skade. Ta vare på instruksjonene for fremtidig referanse.

VIKTIGE FORHOLDSREGLER OG INSTRUKSJONER FOR Å BRUKE LUFTRENSEREN:

ADVARSEL: Følg instruksjonene i denne manualen for å redusere risiko for elektrisk støt, kortslutning og/eller brann:

- Ikke bruk denne luftrenseren som eneste beskyttelse mot skadelige forurensninger.
- Bare bruk denne enheten som tilsiktet av produsenten. Kontakt produsenten dersom du har spørsmål.
- Enheten skal ikke repareres eller modifiseres med mindre det anbefales spesifikt i denne håndboken. Alle reparasjoner skal utføres av en kvalifisert tekniker.
- Støpselet må ikke modifiseres på noen måte. Hvis støpselet ikke passer inn i stikkkontakten, må støpselet reverseres. Hvis det fortsatt ikke passer, må du kontakte en kvalifisert tekniker for å installere en korrekt type stikkontakt.
- Må ikke brukes hvis strømledningen eller støpselet er skadet, eller hvis tilkoblingen til stikkkontakten er løs.
- Strømledningen må ikke skades, knekkes, bøyes kraftig, trekkes i, vris, bantes sammen, belegges, klemmes, tildekkes med teppe, og det må ikke plasseres tunge gjenstander på den.
- Fjern støv fra støpselet regelmessig. Dette reduserer faren for oppsamling av fuktighet, noe som igjen øker faren for elektrisk støt.
- Støpselet må tas ut av stikkkontakten før rengjøring av enheten. Hold i selve støpselet når det skal trekkes ut av stikkkontakten. Trekk aldri i ledningen.
- Ta støpselet ut av stikkkontakten når enheten ikke er i bruk.
- Ikke ta i støpselet med våte hender.
- Bare bruk den elektriske spenningen (volt og frekvens) som er spesifisert for luftrensermodellen som blir installert.
- Ikke blokker luftrenserens luftinntak eller -utløp.
- Ikke bruk enheten uten installerte filtre.
- Ikke vask og gjenbruk noen av filterne.
- Ikke bruk andre fester eller filtre enn de som er av merket AeraMax® PRO, da enheten ikke vil virke.
- Ikke spray aerosol på eller i enheten.
- Før rengjøring eller annet vedlikehold må apparatet kobles fra nettstrømmen.
- Ikke bruk vaskemiddel for å rengjøre enheten.
- Ikke få fingrene, væske eller fremmede objekter inn i luftinntaket eller -utløpet.
- Ikke bruk enheten til noe annet enn luftrensing.
- Hvis ledningen er ødelagt, må den skiftes av produsenten eller dennes serviceagent eller en tilsvarende kvalifisert person, om farlige situasjoner skal unngås.
- Dette apparatet kan brukes av barn fra 8 år og oppover og av personer med nedsatte fysiske, sanselige eller mentale evner og kunnskap, dersom de har vært under oppsyn eller mottatt instruksjoner om sikker bruk av apparatet og forstår farene forbundet med bruk. Barn skal ikke leke med apparatet. Rengjøring og brukervedlikehold skal ikke gjøres av barn uten tilsyn.

Kun i Tyskland.

- Bruken er kun tillatt utenfor Sone 2.
- Enheten skal brukes med en reststrømsbeskyttelse (RCD) med en nominell restdriftsstrøm på maksimum 30 mA.

BEGRENSET PRODUKTGARANTI

Begrenset garanti: Fellowes, Inc. («Fellowes») garanterer at AeraMax® PRO-systemet for luftkvalitetskontroll («produktet») er fritt for defekter i materialer og utførelse i 3 år fra kjøpedatoen. Dersom produktet blir installert i en ny konstruksjon, skal garantiperioden starte samtidig som brukstillatelsen, eller ett år etter kjøpedatoen, det som skjer først. Hvis det skulle oppstå defekter på noen del i garantiperioden, vil den eneste og eksklusive godtgjørelsen være reparasjon eller utskifting av denne, etter Fellowes valg og for selskapets regning. Denne garantien dekker ikke skade forårsaket av filtre som ikke er godkjent av Fellowes eller unnlattelse av å følge den anbefalte tidsrammen for bytte. Denne garantien er ikke gyldig ved misbruk, håndtering på feil måte, hvis bruksstandardene for produktet ikke er fulgt, hvis det er brukt feil strømtilførsel (som ikke er oppført på etiketten) eller ikke-autoriserte reparasjoner. Fellowes forbeholder seg retten til å belaste kunden for eventuelle ekstrakostnader som Fellowes påløper for å skaffe deler eller tjenester utenfor landet der produktet opprinnelig ble solgt av en autorisert forhandler. Denne garantien dekker ikke filtre som kan byttes ut. Dersom produktet ikke er lett tilgjengelig for Fellowes' eget servicepersonell, forbeholder Fellowes seg retten til å tilby kunden erstatningsdeler eller hele produktet i overensstemmelse med sine forpliktelser under denne garantien og alle serviceforpliktelser. ENHVER UNDERFORSTÅTT GARANTI, INKLUDERT DET SOM MÅTTE GJELDE SALGBARHET ELLER EGNETHET FOR ET BESTEMT FORMÅL, ER HERVED BEGRENSET TIL VARIGHETEN AV DEN AKTUELLE GARANTIPERIODEN SOM ER ANGIT OVENFOR. Ikke i noen tilfeller skal Fellowes holdes ansvarlig for noen følge-, tilfeldige, indirekte eller spesielle skader. Denne garantien gir deg visse juridiske rettigheter. Varigheten, vilkårene og betingelsene i denne garantien er gyldige over hele verden, bortsett fra der lokale lover påbyr andre begrensninger, restriksjoner eller vilkår.

PAKKENS INNHOLD

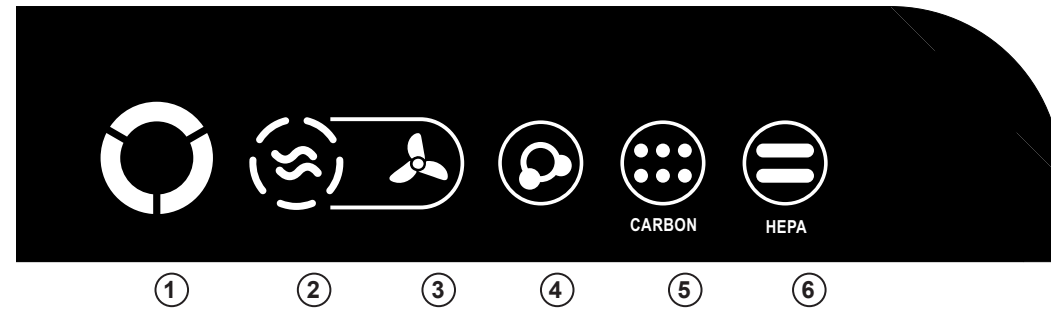
- AeraMax® PRO luftrensere av kommersiell kvalitet
- 4,4 cm hybridfilter (inkluderer 4,4 cm True HEPA og 4,4 cm aktivt kull)
- Skruer (4) og skiver (2) for veggmontering
- Gipsplateankere
- Registreringsinformasjon
- Veggmonteringsmal

PRODUKTSPEKIFIKASJONER

AeraMax® PRO AM II	
Mål (H x B x D)	57,4 x 35,6 x 10,2 cm
Systemets vekt (inkludert filtre)	5,38 kg
Energibehov	220–240 V, 50 Hz, 0,55 A
Energiforbruk (5 viftehastigheter)	5, 8, 13, 41, 71 Watt
Luftgjennomstrømning (5 viftehastigheter)	35, 43, 51, 64, 100 CFM*
Desibel	45, 48, 51, 60, 64 dB
Skjerm	Kapasitiv berøring
Sensorer	EnviroSmart™
Sensorkontrollerte driftsmoduser	2 primærmoduser – Auto-modus og Manuell modus
Leverte filtre	(1) 4,4 cm hybridfilter (inkluderer 4,4 cm True HEPA og 4,4 cm aktivt kull) med estimert gjennomsnittlig levetid på 1 år. (1) forfilter, forventet levetid 3 måneder.
Rengjøringsystem	Hybridfilteret inkluderer et HEPA-filter (High Efficiency Particulate Air) med nominell effektivitet på 99,97 % for luftbårne partikler på 0,3 mikron. Kullfilteret adsorberer lukt og flyktige organiske forbindelser, PlasmaTRUE™ bipolar ionisator.
*CFM-testet med hybridfilter og maskin i vertikal orientering.	

RESERVEFILTRE	
kullboostere	Ekstra kornaktiverte kullfiltere. Gjennomsnittlig filterlevetid 6 måneder: 9544402 – 2 sett
4,4 cm True HEPA	True HEPA reservefilter med AeraSafe™-behandling. Gjennomsnittlig filterlevetid 2 år: 9544301 – 1-pakk
4,4 cm kull	Kullkornaktivert kullerstatningsfilter. Gjennomsnittlig filterlevetid 1 år: 9544601 – 1-pakning
4,4 cm hybrid	4,4 cm True HEPA og 4,4 m kull med hybriderstatningsfilter. Gjennomsnittlig filterlevetid 1 år: 9544501 – 1-pakning

Vennligst besøk www.aeramapro.com for informasjon om reservefilter og tilbehør



MERK: Manuell modus vil ikke være tilgjengelig før 1 minutt etter at strømmen settes på.

- ① **LUFTKVALTETSSENSOR** – Denne indikatoren overvåker luftkvaliteten og justerer viftehastigheten for å holde luften renset. Blått indikerer et lavt nivå av forurensning, gult indikerer et moderat nivå av forurensning og rødt betyr et høyt nivå av forurensning.
- ② **AUTO-MODUS** – Velges ved å trykke og holde knappen til ikonet lyser. Denne modusen overvåker luftkvalitet, bevegelse og lydnivå for å tilpasse viftehastigheten for å holde luften ren så raskt som mulig. Viften har 5 hastigheter og kan nå turbobastighet for å rense rommet i tilfelle høye nivåer av forurensning. Antall hakemerker som lyser rundt dette ikonet indikerer viftehastigheten. Denne knappen brukes også til STILLE MODUS. For å velge, trykk inn og hold inntil knappen blir lilla. Maskinen vil fortsette å bruke EnviroSmart™, men bruker kun de 3 laveste og stilleste av de 5 viftehastighetene.
- ③ **MANUELL MODUS** – Velges ved å trykke knappen til ikonet lyser. Denne modusen lar deg velge én av 5 viftehastigheter og holde apparatet på denne hastigheten til AUTOMODUS velges igjen. De interne sensorene vil ikke justere viftehastigheten i denne modusen. Antall hakemerker som lyser rundt AUTOMODUS-ikonet indikerer viftehastigheten.
- ④ **PlasmaTRUE™ TECHNOLOGY** – Skaper et ionisert felt som hjelper til å fjerne luftforurensning på en sikker måte. For å skru av og på PlasmaTRUE™ TECHNOLOGY, berører du og holder nede PLASMA-indikatoren. Et blått lys lyser opp når PlasmaTRUE™ TECHNOLOGY blir aktivert. For å deaktivere PlasmaTRUE™ TECHNOLOGY, trykker du ned og holder indikatoren «Plasma» til lyset blir avslått.
- ⑤ **INDIKATOR FOR BYTTE AV KULLFILTER*** – Når lyset er rødt, er det behov for å bytte filteret. Perioden mellom hvert bytte varierer med filteret som blir brukt, brukstimer, luftkvalitet og hastigheten på luftstrømmen. For en beskrivelse av indikator for bytte av filter, se avsnittet FILTERBYTTE.
- ⑥ **INDIKATOR FOR BYTTE AV HEPA-FILTER*** – Når lyset er rødt, er det behov for å bytte filteret. Perioden mellom hvert bytte varierer med filteret som blir brukt, brukstimer, luftkvalitet og hastigheten på luftstrømmen. For beskrivelse av indikator for bytte av filter, se delen INDIKATORER FOR BYTTE AV FILTER.

*Merk - Hvis det brukes et hybridfilter, vil både HEPA- og kullindikatorene lyse.

BRUK

Luftrensere virker kontinuerlig i automatisk modus. Luftrensere vil arbeide på 5 hastighetsnivåer for å rense rommet for forurensning. Når luften er renset og ingen sensorer er aktivert, vil enheten gå i sparemodus for å redusere energiforbruk og forlenge filterenes levetid.

Når manuell modus velges, vil indikatoren for manuell modus på kontrollpanelet lyse blått. Denne modusen lar deg velge én av 5 viftehastigheter og holde apparatet på denne hastigheten til automatisk modus velges igjen.

Les disse instruksjonene nøye før du installerer enheten.

SIKKERHET

ADVARSEL:

Vurder apparatets plassering i forhold til stikkkontakten (ledningen er ca. 1,6 meter lang).

For å unngå risiko for elektrisk støt bør du kontrollere at strømforsyningen har blitt koblet fra eller slått av før du starter installasjonen.

Kontroller at ingen elektriske ledninger, rør eller kanaler befinner seg rett bak installasjons-/boreområdet.

Det anbefales på det sterkeste å bruke minst 2 monteringspunkter for å montere luftrenseren på en eksisterende stender. Det kreves 2 personer for installasjon.

Følg instruksjonene i avsnittet Montere hovedenheten.

ANBEFALT VERKTØY FOR INSTALLASJON

- Elektrisk boremaskin, bor (ikke inkludert)
- Nr. 2 stjernetrekker og nr. 2 flate skrutrekker (ikke inkludert)
- Koblingsklemmer (ikke inkludert)
- Vater (ikke inkludert)
- Stenderfinner

MEDFØLGENDE DELER FOR INSTALLASJON

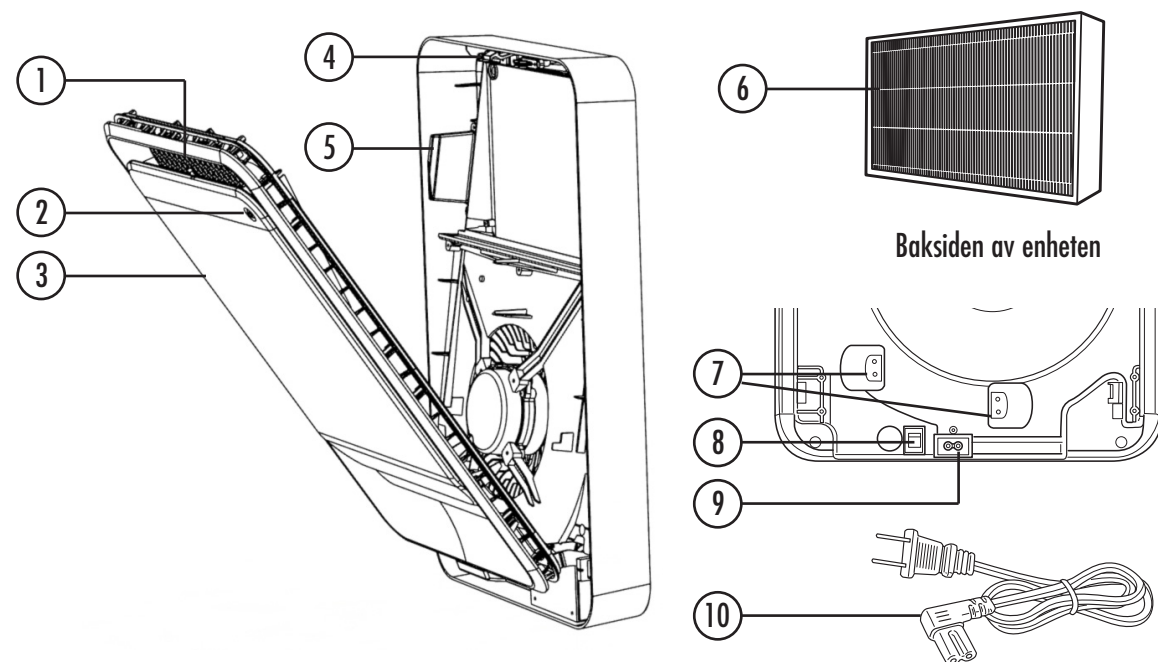
- Gipsplateankere – Ø 10 mm
- Phillips panskruer

RETNINGSLINJER FOR INSTALLASJON

Dersom luftrenseren monteres høyt på veggen, bør du forsikre deg om at den øverste kanten av enheten plasseres minst 21 cm under taket for å komme til for filterbytte.

FORKLARING

1. Kontrollpanel
2. Bevegelsessensor
3. Frontluke
4. Smekklås for frontluke
5. Etikett for sertifisert filter
6. Hybridfilter med forfilter
7. Ledningsholder
8. Strømbryter
9. Strømledningskontakt
10. IEC-plugg



OPPSETT - se avsnittet FORKLARING

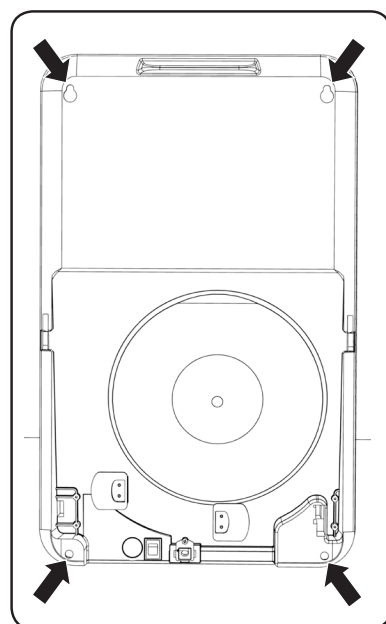
1. Åpne enheten ved å trykke ned lukens smekklås (4) mens du trekker frontluken mot deg.
2. Fjern posen fra filteret og sett det tilbake i enheten.
3. Sett IEC-pluggen (10) i strømledningskontakten (9) på baksiden av enheten.

MONTERE HOVEDENHETEN

1. Velg et sted å montere enheten i nærheten av en standard stikkontakt (ledningen er ca. 1,6 meter lang).
2. Bruk monteringsmalen og merk veggen med de 4 festepunktene. Hvis monteringsstedet er rett over en eksisterende stender, kreves ingen ekstra forberedelser. Hvis monteringsstedet er på tørrvegg eller annen flate som krever ekstra feste, brukes gipsplateankrene.
3. [Kun ved bruk av ankere] For å bruke ankrene borer du et 10 mm hull på hvert av monteringspunktene og setter ankrene i veggen.
4. Sett i de 2 øverste skruene og la skruhodene stikke ca. 6 mm (1/4") ut fra veggen. Ikke skru skruene helt inn.
5. Heng enheten på skruene som ble plassert i forrige trinn, gjennom de øverste opphengshullene.
6. Åpne frontdøren på enheten og sett inn de 2 nederste skruene i de nedre festepunktene.
7. Skru alle de 4 skruene helt inn.
8. Plasser de (2) medfølgende klistremerkene over de øverste festepunktene på innsiden for maksimal ytelse.
9. Fjern filterne fra pakningene og installer dem i enheten. Merk: etiketten «AeraMax Pro-sertifisert filter» må justeres med den identiske etiketten som du finner i enheten. Hvis filteret ikke installeres riktig, vil enheten ikke kunne slås på.
10. Sett støpslet i stikkontakten.
11. Stikk hånden inn bak enheten nederst til høyre for å slå på strømbryteren.

Merk: Manuell modus vil ikke være tilgjengelig før 1 minutt etter at strømmen settes på.

4 monteringspunkter



VEDLIKEHOLD OG REPARASJON

RENGJØRING:

- Rengjør enheten utvendig ved å tørke av med en tørr, myk klut. Til å fjerne flekker kan du bruke en varm, fuktig klut.
- Ikke bruk flyktige væsker som benzen, tynner, skurepulver eller andre rengjøringsmidler som kan skade enhetens overflate.
- Rengjør inntaket og utblåsningsåpningene ved å tørke med en tørr, myk klut.

FILTERBYTTE:

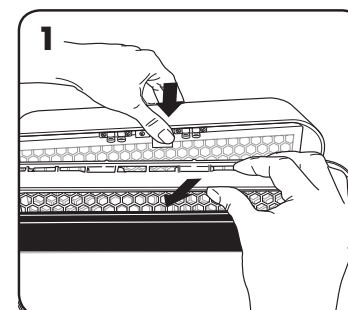
Indikatorerne for bytte av filter vil gi signal når du skal bytte HEPA- og/eller kullfilter. Perioden mellom hvert bytte varierer med brukstimer, luftkvalitet og hastigheten på luftstrømmen. Derimot, under normalt bruk, er det nødvendig å skifte de fleste HEPA-filtre hvert år, Karbon-filtre hver 6. måned og Hybrid-filtre hvert år. Når et filter må byttes, vil følgende farger vises på en av indikatorerne for filterbytte for HEPA eller KULL:

Gul blinking = 90 % filterslitasje (det anbefales å bestille nye filtre)

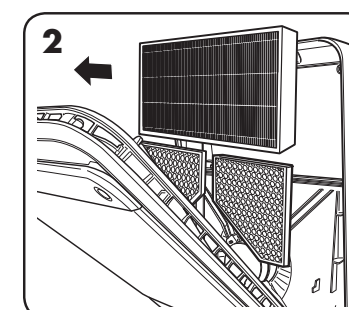
Rød = 100 % filterslitasje (bytt ut med nye filtre)

Ikke vask eller bruk noen av filterne på nytt – de vil ikke virke effektivt. Bruk kun AeraMax® PRO erstatningsfiltres. Enheten vil ikke virke med andre typer.

FREMANGSMÅTE VED BYTTE AV FILTER:

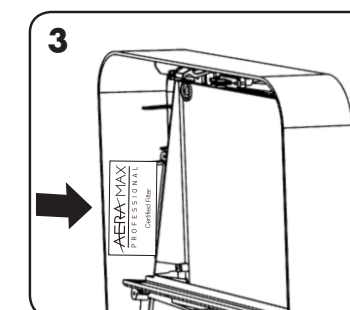


1. Trykk smekklåsen ned mens du trekker frontluken mot deg.



2. Fjern gamle filtre. 3. Husk å fjerne plastposen før du setter i nye filtre. Når du setter inn hybrid-filteret, forsikre deg om at det grønne forfilteret er over den sorte karbon-siden, og sett inn den siden først med den hvite HEPA'en vendt ut. Når du setter i nye hybrid eller HEPA-filtre, justerer du etiketten for AeraMax® PRO-sertifisert filter med etiketten på innsiden av enheten. Pilen skal peke mot baksiden av enheten.

Se (5) i avsnittet FORKLARING.



TILBAKESTILLING AV FILTERINDIKATOR:

Når du installerer et nytt filter, vil enheten automatisk oppdage filtertypen, men brukeren må tilbakestille indikatorerne for bytte av filter manuelt. For å tilbakestille enhver av indikatorerne for filterbytte, trykker og holder du knappen for filtertypen som ble byttet (HEPA eller kull) til lampen slukkes. Gjenta dette for andre filtertyper etter behov. Når du bytter ut et hybridfilter, må du tilbakestille indikatorerne for både HEPA- og kullfilter.

FEILSØKING

PROBLEM:	MULIG LØSNING:
Systemet for luftkvalitetskontroll starter ikke.	<ul style="list-style-type: none"> • Forsikre deg om at enheten er koblet til en strømforsyning. • Forsikre deg om at filterne er ekte AeraMax® PRO-filtre, ettersom enheten ikke fungerer med andre merker. VIKTIG: Sørg for å justere etikettene med «AeraMax PRO-sertifisert» på filteret og på innsiden av enheten. Pilene skal peke mot baksiden av enheten. • Se avsnittet Filterbytte for nærmere opplysninger. • Forsikre deg om at frontpanelet er helt lukket. • Forsikre deg om at strømbryteren er slått på.
Enheten lager en svak tikkelyd.	<ul style="list-style-type: none"> • Dette indikerer at «PlasmaTRUE™» bipolar ionisator virker.
Lyset til indikator for bytte av HEPA- og/eller kullfilteret fortsetter å lyse etter at du har byttet filterne.	<ul style="list-style-type: none"> • Gjenta instruksjonene for å tilbakestille filterlysene.

INSTRUKCJE BEZPIECZEŃSTWA / OSTRZEŻENIE

Dziękujemy za zakup urządzenia AeraMax® PRO AM II.

Należy przeczytać i zachować niniejsze instrukcje. Należy uważnie zapoznać się z treścią instrukcji przed przystąpieniem do instalacji lub konserwacji produktu. Należy zadbać o bezpieczeństwo własne i innych, przestrzegając wszelkich zasad bezpieczeństwa. Nieprzestrzeganie tych instrukcji może powodować obrażenia ciała i/lub uszkodzenie mienia. Zachować instrukcje o wglądu.

WAŻNE OSTRZEŻENIA I INSTRUKCJE DOTYCZĄCE OBSŁUGI OCZYSZCZACZA POWIETRZA:

OSTRZEŻENIE: Należy postępować zgodnie z zaleceniami w tej instrukcji, aby zmniejszyć ryzyko porażenia prądem elektrycznym, zwarcia i (lub) pożaru:

- Nie używać oczyszczacza powietrza jako jedyne środka zapobiegawczego przeciw szkodliwym zanieczyszczeniom.
- Korzystać z urządzenia wyłącznie w sposób określony przez producenta. W przypadku pytań skontaktować się z producentem.
- Nie naprawiać ani nie modyfikować urządzenia, chyba że jest to wyraźnie zalecane w niniejszej instrukcji. Wszystkie naprawy powinny być wykonywane przez wykwalifikowanego elektryka.
- Nie wolno w żaden sposób przerabiać wtyczki. Jeżeli wtyczka nie pasuje do gniazdka, obrócić ją. Jeżeli wtyczka nadal nie pasuje, należy skontaktować się z wykwalifikowanym elektrykiem, który zamontuje właściwe gniazdko.
- Nie używać urządzenia, jeśli wtyczka lub przewód zasilający są uszkodzone lub jeśli połączenie z gniazdkiem ściennym jest niestabilne.
- Nie niszczyć, nie łamać, nie zginać na siłę, nie ciągnąć, nie skręcać, nie związać, nie powlekać, nie zaciskać, nie układać pod wykładzinami, nie przykrywać dywanikami ani nie umieszczać ciężkich przedmiotów na przewodzie zasilającym.
- Okresowo usuwać kurz z wtyczki zasilającej. Zmniejszy to ryzyko gromadzenia się wilgoci, która zwiększa ryzyko porażenia prądem.
- Przed czyszczeniem urządzenia należy wyciągnąć wtyczkę z gniazdka zasilającego. Wyciągając wtyczkę, chwycić ją za uchwyt. Nigdy nie wyciągać wtyczki ciągnąc za przewód.
- Jeśli urządzenie nie jest używane, należy wyciągnąć wtyczkę z gniazdka.
- Nie dotykać wtyczki mokrymi rękami.
- Stosować tylko moc elektryczną (napięcie i częstotliwość) określoną dla instalowanego modelu oczyszczacza.
- Nie blokować wlotu i wylotu powietrza oczyszczacza.
- Nie uruchamiać urządzenia bez zainstalowanych filtrów.
- Nie myć i nie używać ponownie filtrów.
- Nie stosować przyłączy i filtrów innych niż marki AeraMax® PRO, ponieważ w takim przypadku urządzenie nie zadziała.
- Nie rozpylać żadnych cieczy na ani do wnętrza urządzenia.
- Przed przystąpieniem do czyszczenia lub innych czynności konserwacyjnych urządzenie należy odłączyć od sieci zasilania.
- Do czyszczenia urządzenia nie używać żadnych detergentów.
- Nie umieszczać palców, płynów lub innych przedmiotów we wlocie lub wylocie urządzenia.
- Nie używać urządzenia do celów innych niż oczyszczanie powietrza.
- Jeśli przewód zasilający jest uszkodzony, powinien zostać wymieniony przez producenta, jego agenta serwisowego lub osoby posiadające podobne kwalifikacje, aby uniknąć zagrożenia.
- To urządzenie może być użytkowane przez dzieci powyżej 8 roku życia i osoby o ograniczonych zdolnościach fizycznych, czuciowych oraz psychicznych lub dysponujących ograniczonym doświadczeniem i wiedzą, jeżeli takie osoby znajdują się pod nadzorem lub zostały odpowiednio poustruowane w zakresie bezpiecznego użytkowania oraz rozumieją związane z nim zagrożenia. Dzieci nie powinny bawić się urządzeniem. Czyszczenie i czynności konserwacyjne nie mogą być wykonywane przez dzieci pozbawione nadzoru.

Tylko w Niemczech.

- Użytkowanie dozwolone wyłącznie na zewnątrz strefy 2.
- Urządzenie należy użytkować z urządzeniami ochronnymi różnicowoprądowymi (RCD), w których znamionowy resztkowy prąd roboczy nie przekracza 30 mA.

OGRANICZONA GWARANCJA NA PRODUKT

Ograniczona gwarancja: Firma Fellowes, Inc. („Fellowes”) gwarantuje, że system kontroli jakości powietrza AeraMax® PRO („Produkt”) będzie wolny od wad materiałowych i produkcyjnych przez okres 3 lat od daty zakupu. W przypadku, gdy produkt został zainstalowany w nowym budynku, okres gwarancji rozpoczyna się od daty pozwolenia na użytkowanie lub po upływie jednego roku od daty zakupu, w zależności od tego, co nastąpi wcześniej. Jeżeli w okresie gwarancji jakkolwiek część urządzenia okaże się uszkodzona, użytkownikowi przysługuje wyłącznie prawo naprawy lub wymiany uszkodzonej części na koszt i zgodnie z decyzją firmy Fellowes. Niniejsza gwarancja nie obejmuje szkód spowodowanych przez zastosowanie filtrów innych niż zatwierdzone przez firmę Fellowes lub niezastosowanie się do zalecanego harmonogramu wymiany filtrów. Niniejsza gwarancja nie obowiązuje w przypadku nieprawidłowego postępowania się, eksploatacji, niezgodności z normami użytkowania, zastosowania do uruchomienia urządzenia niewłaściwego rodzaju zasilania (innego niż wymieniony na etykiecie) lub nieautoryzowanej naprawy. Firma Fellowes zastrzega sobie prawo do obciążania użytkowników wszelkimi dodatkowymi kosztami, które poniesie w związku z koniecznością dostarczenia części zamiennych lub serwisowania Produktu poza krajem zakupu u autoryzowanego sprzedawcy. Niniejsza gwarancja nie obejmuje filtrów zamiennych. W przypadku, gdy produkt nie jest łatwo dostępny dla wyznaczonych pracowników serwisu firmy Fellowes, firma Fellowes zastrzega sobie prawo do dostarczenia klientowi części zamiennych lub Produktu, w pełni wywiązując się ze swoich zobowiązań wynikających z niniejszej gwarancji i wszelkich zobowiązań serwisowych. WSZELKIE DOROZUMIANE GWARANCJE, ŁĄCZNIE Z GWARANCJĄ ZDATNOŚCI HANDLOWEJ I ZDATNOŚCI DO OKREŚLONEGO UŻYTKU SĄ NINIEJSZYM OGRANICZONE W CZASIE DO PODANEGO POWYŻEJ OKRESU TRWANIA ODPOWIEDNIEJ GWARANCJI. W żadnym przypadku firma Fellowes nie będzie ponosiła odpowiedzialności za szkody wtórne, przypadkowe lub pośrednie, wynikające z użycia niniejszego produktu. Niniejsza gwarancja daje użytkownikowi konkretne prawa. Czas trwania i warunki niniejszej gwarancji obowiązują na całym świecie, z wyjątkiem sytuacji, gdy lokalne przepisy nakładają inne ograniczenia lub warunki.

ZAWARTOŚĆ OPAKOWANIA

- Oczyszczacz powietrza AeraMax® PRO do zastosowań komercyjnych
- Filtr hybrydowy 4,4 cm (w tym filtr True HEPA 4,4 cm i wkład węglowy 4,4 cm)
- Śruby do montażu ściennego (4) i podkładki (2)
- Kotwy do ścian pokrytych płytami okładzinowymi
- Dane rejestracyjne
- Szablon do montażu na ścianie

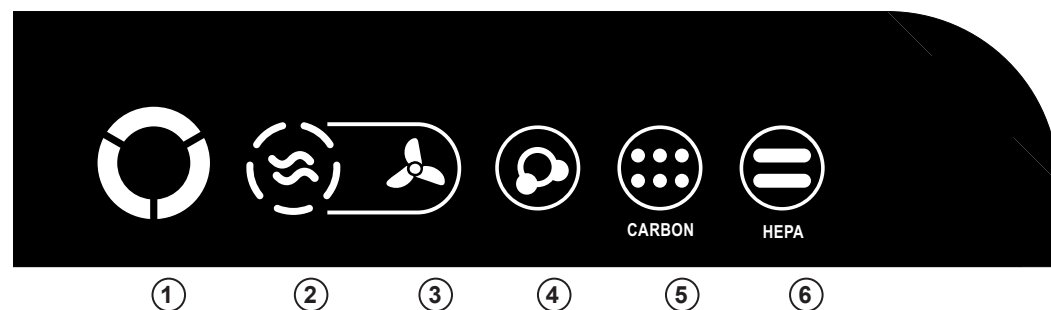
DANE TECHNICZNE PRODUKTU

AeraMax® PRO AM II	
Wymiary (Wys. x Szer. x Głęb.)	57,4 x 35,6 x 10,2 cm
Masa systemu (włączając filtry)	5,38 kg
Wymagania w zakresie zasilania	220–240 V, 50 Hz, 0,55 A
Zużycie mocy (5 prędkości wentylatora)	5, 8, 13, 41, 71 watów
Dopływ powietrza (5 prędkości wentylatora)	59,5, 73, 86,6, 108,7, 170 m ³ /min
Decybele	45, 48, 51, 60, 64 dB
Wyświetlacz	Dotykowy pojemnościowy
Czujniki	EnviroSmart™
Tryby pracy sterowane za pomocą czujnika	2 tryby główne – Tryb automatyczny i Tryb ręczny
Załączone filtry	(1) Filtr hybrydowy 4,4 cm (zawiera filtr True HEPA 4,4 cm i wkład z węgla aktywnego 4,4 cm) o szacowanym średnim okresie użytkowania filtra wynoszącym 1 rok. (1) filtr wstępny, szacowany okres eksploatacji: 3 miesiące.
Układ oczyszczania	Filtr hybrydowy zawiera wysokowydajny filtr cząstek powietrza (HEPA) o wydajności znamionowej usuwania cząstek zanieczyszczeń o rozmiarze 0,3 mikrona na poziomie 99,97%. Filtr węglowy pochłania zapachy i lotne związki organiczne, jonizator dwubiegunowy PlasmaTRUE™.
*Stopy sześciennie/min mierzone z filtrem hybrydowym i urządzeniem w położeniu pionowym.	

FILTRY ZAMIENNE

Filtry wspomagające węglowe	Dodatkowe filtry z granulowanym węglem aktywnym. Średnia żywotność filtra wynosi 6 miesięcy: 9544402 – 2 zestawy
True HEPA 4,4 cm	Wymiana filtra True HEPA z systemem AeraSafe™. Średnia żywotność filtra wynosi 2 lata: 9544301 – 1 sztuka
Carbon 4,4 cm	Zamienny filtr węglowy z granulowanym węglem aktywnym. Średnia żywotność filtra wynosi 1 rok: 9544601 – 1 sztuka
Hybrydowy 4,4 cm	True HEPA 4,4 cm i Carbon 4,4 cm z hybrydowym filtrem zamiennym. Średnia żywotność filtra wynosi 1 rok: 9544501 – 1 sztuka

W celu uzyskania dodatkowych informacji na temat filtrów zamiennych i akcesoriów zapraszamy do odwiedzenia witryny: www.aeramaxpro.com



UWAGA: Tryb ręczny będzie niedostępny przez 1 minutę po pierwszym uruchomieniu.

- 1 **CZUJNIK JAKOŚCI POWIETRZA** — Monitoruje jakość powietrza i automatycznie reguluje szybkość wentylatora, zapewniając czystość powietrza. Kolor niebieski oznacza niski poziom wykrytych zanieczyszczeń, kolor żółtopomarańczowy oznacza umiarkowany poziom zanieczyszczeń, a kolor czerwony oznacza wysoki poziom zanieczyszczeń.
- 2 **TRYB AUTOMATYCZNY** — Aby go wybrać, należy nacisnąć i przytrzymać ten przycisk do momentu zaświecenia się ikonki. Ten tryb monitoruje, jakość, ruch i poziom hałasu w celu regulacji prędkości wentylatora, aby jak najszybciej oczyścić powietrze. Wentylator posiada 5 zakresów prędkości i może osiągnąć prędkość turbo w celu oczyszczenia pomieszczenia o dużym zanieczyszczeniu powietrza. Liczba na znacznikach podświetlonych wokół tej ikonki oznacza prędkość wentylatora. Ten przycisk steruje też TRYBEM CIŁYM. Aby go wybrać, należy nacisnąć i przytrzymać przycisk do momentu zmiany jego koloru na fioletowy. Urządzenie nadal będzie wykorzystywać technologię EnviroSmart™, ale jego praca odbywać się będzie w trzech najniższych i najcichszych ustawieniach prędkości wentylatora spośród pięciu dostępnych możliwości.
- 3 **TRYB RĘCZNY** — Aby go wybrać, należy nacisnąć i przytrzymać ten przycisk do momentu zaświecenia się ikonki. Ten tryb pozwala wybrać jeden z zakresów 5 prędkości wentylatora i utrzymuje tę prędkość urządzenia do momentu ponownego wybrania opcji TRYB AUTOMATYCZNY. W tym trybie czujniki wewnętrzne nie będą regulować prędkości wentylatora. Liczba na znacznikach podświetlonych wokół ikony TRYB AUTOMATYCZNY oznacza prędkość wentylatora.
- 4 **TECHNOLOGIA PlasmaTRUE™** — Tworzy zjonizowane pole, które ułatwia bezpieczne usuwanie zanieczyszczeń powietrza. Aby włączyć lub wyłączyć TECHNOLOGIĘ PlasmaTRUE™, należy dotknąć i przytrzymać wskaźnik PLASMA. Po uruchomieniu TECHNOLOGII PlasmaTRUE™ pojawia się niebieskie światło. Aby wyłączyć TECHNOLOGIĘ PlasmaTRUE™ należy nacisnąć i przytrzymać wskaźnik „Plasma”, aż światło zgaśnie.
- 5 **WSKAŹNIK WYMIANY FILTRA WĘGLOWEGO*** — Czerwone światło wskazuje konieczność wymiany filtra. Okres między wymianą filtrów będzie się różnił w zależności od stosowanego filtra, liczby przepracowanych godzin, jakości powietrza i prędkości przepływu powietrza. W celu zapoznania się z opisami wskaźników wymiany filtrów patrz punkt WYMIANA FILTRA.
- 6 **WSKAŹNIK WYMIANY FILTRA HEPA*** — Czerwone światło wskazuje konieczność wymiany filtra. Okres między wymianą filtrów będzie się różnił w zależności od stosowanego filtra, liczby przepracowanych godzin, jakości powietrza i prędkości przepływu powietrza. W celu zapoznania się z opisami wskaźników filtrów patrz punkt WSKAŹNIKI WYMIANY FILTRA.

*Uwaga — w przypadku korzystania z filtra hybrydowego zaświecą się wskaźniki zarówno filtra HEPA, jak i filtra węglowego.

DZIAŁANIE

Oczyszczacz powietrza pracuje w sposób ciągły w trybie automatycznym; oczyszczacz powietrza będzie działał na 5 poziomach prędkości w celu oczyszczenia pomieszczenia z zanieczyszczeń. Po zakończeniu oczyszczania powietrza, kiedy nie następuje aktywacja żadnych czujników, urządzenie przechodzi do trybu oszczędności energii, aby ograniczyć jej zużycie i przedłużyć żywotność filtrów.

W ustawieniu trybu ręcznego wskaźnik trybu ręcznego na panelu sterowania zaświeci się na niebiesko. Ten tryb pozwala wybrać jedną z 5 prędkości wentylatora i utrzymuje tę prędkość urządzenia do momentu ponownego wyboru trybu automatycznego.

Przed przystąpieniem do instalacji urządzenia należy uważnie przeczytać instrukcję.

BEZPIECZEŃSTWO

OSTRZEŻENIE:

Należy wziąć pod uwagę położenie urządzenia względem gniazdka elektrycznego (długość przewodu ok. 1,6 m).

Aby uniknąć ryzyka porażenia prądem, należy upewnić się, że przed przystąpieniem do prac instalacyjnych źródło zasilania zostało odłączone lub wyłączone.

Upewnić się, że za obszarem instalacji, w miejscu wiercenia otworów nie znajdują się żadne przewody elektryczne, rurowe lub kanały.

W przypadku ścian szkieletowych zalecane jest zastosowanie przynajmniej 2 kotew montażowych w celu zamontowania oczyszczacza powietrza na istniejącym szkielecie. Montaż wymaga udziału 2 osób.

Należy postępować zgodnie z instrukcjami podanymi w punkcie Montaż głównego zespołu.

NARZĘDZIA ZALECANE PODCZAS INSTALACJI

- Wiertarka elektryczna, wiertła (nie załączone)
- 2 śrubokręty krzyżakowe i 2 śrubokręty płaskie (nie załączone)
- Złączki nakręcane (nie załączone)
- Poziomnica (nie załączona)
- Wykrywacz profili

CZĘŚCI WYMAGAJĄCE INSTALACJI

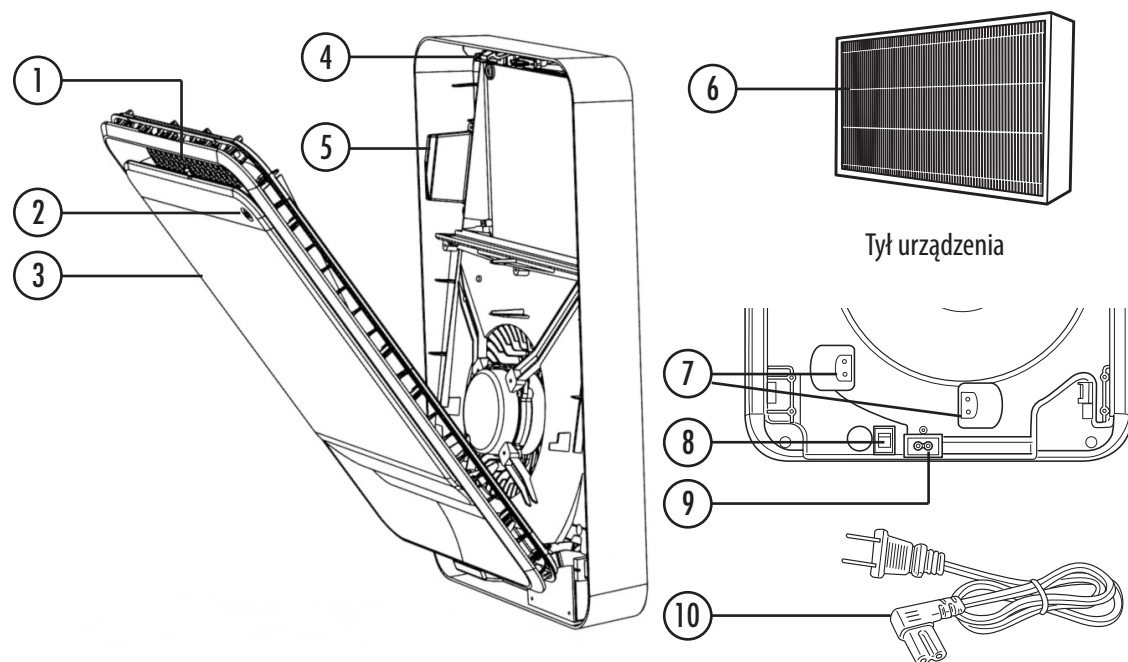
- Kotwy do ścian pokrytych płytami okładzinowymi – 10 mm (roz. zewn.)
- Śruby z łbem stożkowym ściętym i gniazdem krzyżakowym

WYTYCZNE W ZAKRESIE INSTALACJI PRODUKTU

W przypadku montażu oczyszczacza powietrza na dużej wysokości należy upewnić się, że jego górna krawędź znajduje się w odległości co najmniej 21 cm od sufitu, aby umożliwić wymianę filtra.

ELEMENTY URZĄDZENIA

1. Panel sterowania
2. Czujnik ruchu
3. Przedni panel dostępu
4. Zatrask panelu dostępu
5. Naklejka certyfikacyjna filtra
6. Filtr hybrydowy z filtrem wstępnym
7. System zarządzania kablami
8. Przełącznik zasilania
9. Gniazdo przewodu zasilającego
10. Wtyk IEC



KONFIGURACJA — patrz punkt ELEMENTY URZĄDZENIA

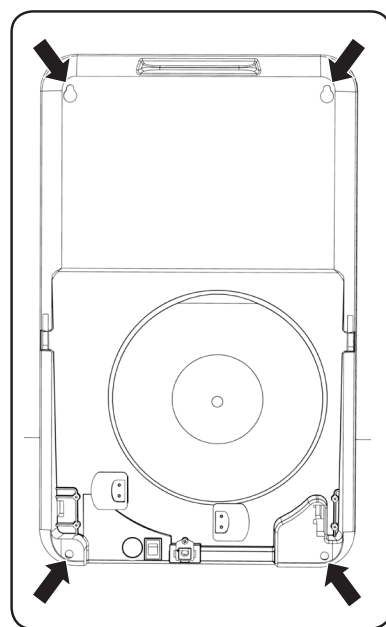
1. Otworzyć urządzenie, naciskając zatrask panelu dostępu (4) w dół i jednocześnie pociągając przedni panel dostępu do siebie.
2. Wyjąć wkład z filtra i umieścić filtr z powrotem w urządzeniu.
3. Podłączyć wtyk IEC (10) do gniazda przewodu zasilającego (9) na tylnej części urządzenia.

MONTAŻ GŁÓWNEGO ZESPOŁU

1. Wybrać miejsce do montażu urządzenia w pobliżu standardowego gniazdka elektrycznego (długość przewodu ok. 1,6 m).
2. Korzystając z szablonu montażowego, zaznaczyć na ścianie 4 miejsca montażu. Jeżeli miejsce montażu znajduje się na istniejącym szkieletcie, nie są wymagane żadne czynności przygotowawcze. Jeżeli miejsce montażu znajduje się tylko na ścianie pokrytej płytami okładzinowymi lub innej powierzchni wymagających dodatkowego podparcia, należy użyć kotew.
3. [Użycie samych kotew] Aby zastosować kotwy, należy wywiercić otwór o średnicy 10 mm w miejscach na otwory montażowe i zamontować kotwy w ścianie.
4. Wkręcić 2 górne śruby, pozostawiając około 1/4" (6 mm) odstępu od łba śruby do ściany. Nie wkręcać śrub do końca.
5. Zawiesić urządzenie na śrubach wkręconych w poprzednim kroku, wykorzystując górne otwory montażowe w kształcie dziurki od klucza.
6. Otworzyć przednie drzwiczki urządzenia i wkręcić 2 dolne śruby w miejscach montażu na dole.
7. Dokręcać wszystkie 4 śruby do pełnego dokręcenia.
8. Aby zmaksymalizować wydajność urządzenia, należy umieścić (2) dołączone naklejki od wewnątrz na górnych otworach montażowych.
9. Wyjąć filtry z opakowania i zamontować je w urządzeniu. Uwaga: „Naklejka certyfikacyjna filtra AeraMax Pro” na filtrze musi zrownać się z identyczną naklejką znajdującą się na urządzeniu. Jeżeli filtr nie zostanie prawidłowo zamontowany, urządzenie nie włączy się.
10. Podłączyć przewód zasilający do standardowego gniazdka elektrycznego.
11. Sięgnąć w prawy dolny róg z tyłu urządzenia, aby uzyskać dostęp do przełącznika zasilania i włączyć urządzenie.

Uwaga: Tryb ręczny będzie niedostępny przez 1 minutę po pierwszym uruchomieniu.

4 miejsca montażu



KONSERWACJA

CZYSZCZENIE:

- W razie potrzeby należy oczyścić zewnętrzną obudowę, wycierając suchą, miękką szmatką; w przypadku plam użyć miękkiej, wilgotnej szmatki.
- Nie używać łatwo parujących płynów, takich jak benzen, rozcieńczalnik, ani proszku do szorowania bądź innych środków, które mogą uszkodzić powierzchnię urządzenia.
- Oczyścić wlot i wylot wycierając suchą, miękką szmatką.

WYMIANA FILTRA:

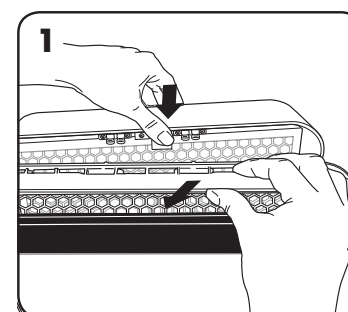
Wskaźniki wymiany filtra poinformują, kiedy należy wymienić filtr HEPA lub filtry węglowe. Okres między wymianą filtrów będzie się różnił w zależności od liczby przepracowanych godzin, jakości powietrza i prędkości przepływu powietrza. Jednak w trakcie standardowej eksploatacji większość filtrów HEPA wymaga wymiany raz na 1 rok, filtry węglowe – co 6 miesięcy, a filtry hybrydowe – również raz na 1 rok. W razie konieczności wymiany filtra na wskaźnikach wymiany filtrów HEPA lub filtrów węglowych pojawią się następujące kolory:

Żółtopomarańczowy (miganie) = 90% zużycia filtra (zalecane jest zamówienie nowych filtrów)

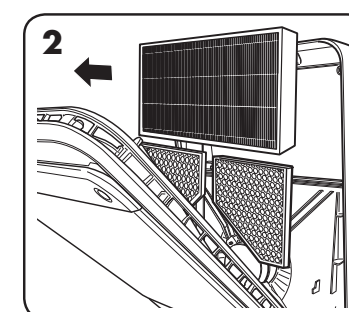
Czerwony = 100% zużycia filtra (wymienić filtr na nowy)

Nie należy myć ani ponownie używać żadnych filtrów — nie będą one wydajnie pracować. Stosować tylko filtry zamienne marki AeraMax® PRO ponieważ urządzenie nie będzie działać w przypadku zastosowania filtrów innych marek.

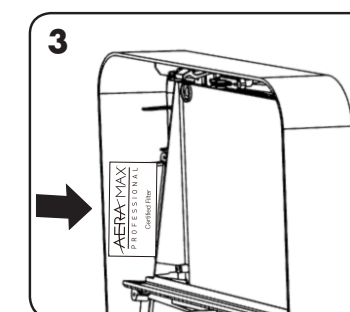
PROCEDURA WYMIANY FILTRA:



1. Nacisnąć zatrask panelu dostępu w dół, jednocześnie pociągając przedni panel dostępu do siebie.



2. Wyjąć zużyte filtry. 3. Przy wkładaniu nowych filtrów należy wyjąć torbę z tworzywa sztucznego. Przy wkładaniu filtra hybrydowego należy upewnić się, że zielony filtr wstępny jest umieszczony nad czarną stroną węglową i włożyć tę stronę najpierw, tak by biała strona HEPA była skierowana na zewnątrz. Przy wkładaniu nowych filtrów hybrydowych lub filtrów HEPA należy ustawić naklejki certyfikacyjne filtra AeraMax® PRO na filtrze równo z naklejkami wewnątrz urządzenia. Strzałka powinna być skierowana w stronę tylnej części urządzenia. Pozycja (5) w punkcie ELEMENTY URZĄDZENIA.



RESETOWANIE WSKAŹNIKA FILTRA:

Podczas instalacji nowego filtra urządzenie automatycznie wykryje rodzaj filtra, lecz użytkownik musi oprócz tego ręcznie zresetować wskaźnik wymiany filtra. Aby zresetować którykolwiek ze wskaźników wymiany filtrów, należy nacisnąć i przytrzymać przycisk filtra danego rodzaju, który wymieniono (HEPA lub węglowy), aż światło zgaśnie. W razie potrzeby powtórzyć tę czynność dla pozostałych rodzajów filtrów. Przy wymianie filtra hybrydowego należy zresetować wskaźniki zarówno filtra HEPA, jak i filtra węglowego.

ROZWIĄZYWANIE PROBLEMÓW

PROBLEM	MOŻLIWE ROZWIĄZANIE
System kontroli jakości powietrza nie włącza się.	<ul style="list-style-type: none"> • Sprawdzić, czy urządzenie jest podłączone do zasilania. • Upewnić się, że zainstalowano oryginalne filtry marki AeraMax® PRO, ponieważ urządzenie nie zadziała w przypadku filtrów innych marek. WAŻNE: Należy pamiętać o ustawieniu naklejek certyfikacyjnych filtra AeraMax PRO na filtrze równo z naklejkami wewnątrz urządzenia. Strzałki powinny być skierowane w kierunku tylnej części urządzenia. • W celu uzyskania szczegółowych informacji należy zapoznać się z punktem Sposób wymiany filtra. • Upewnić się, że przedni panel dostępu jest całkowicie zamknięty. • Upewnić się, że zasilanie jest włączone.
Z urządzenia dobiega ciche tykanie.	<ul style="list-style-type: none"> • Oznacza to, że jonizator dwubiegunowy „PlasmaTRUE™” pracuje.
Wskaźnik wymiany filtra HEPA lub filtra węglowego będzie świecić się po wymianie filtrów.	<ul style="list-style-type: none"> • Powtórzyć procedurę resetowania wskaźnika filtra.

ИНСТРУКЦИИ ПО ТЕХНИКЕ БЕЗОПАСНОСТИ / ПРЕДУПРЕЖДЕНИЕ

Благодарим вас за покупку системы AeraMax® PRO AM II.

Прочитайте и сохраните эти инструкции. Внимательно прочитайте инструкцию, прежде чем приступить к эксплуатации или обслуживанию настоящего изделия. Защитите себя и окружающих, соблюдая все требования безопасности. Несоблюдение данных инструкций может привести к травме и/или повреждению имущества. Сохраните инструкции для дальнейшего использования.

ВАЖНЫЕ МЕРЫ ПРЕДОСТОРОЖНОСТИ И ИНСТРУКЦИИ ПО ИСПОЛЬЗОВАНИЮ ВОЗДУХООЧИСТИТЕЛЯ:

ПРЕДУПРЕЖДЕНИЕ: Следуйте указаниям, приведенным в данном руководстве, чтобы уменьшить опасность поражения электрическим током, возникновения короткого замыкания и/или пожара.

- Не допускается использование данного воздухоочистителя в качестве единственного средства защиты от вредных загрязняющих веществ.
- Данное устройство разрешается использовать только так, как это предусмотрено изготовителем. В случае возникновения вопросов, свяжитесь с изготовителем.
- Запрещается ремонтировать или модифицировать данное устройство за исключением случаев, конкретно рекомендованных в данном руководстве. Любой ремонт должен выполняться квалифицированным техническим специалистом.
- Запрещается видоизменять вилку любым образом. Если вилка не входит в розетку, переверните ее. Если вилка не входит в розетку и в этом случае, обратитесь к квалифицированному техническому специалисту для установки правильной розетки.
- Запрещается эксплуатировать устройство с поврежденным шнуром питания или вилкой, а также при ненадежном подключении к розетке.
- Запрещается повреждать, разрывать, с усилием изгибать, вытягивать, скручивать, связывать в узлы, накрывать, сдавливать шнур питания, протягивать его под коврами, накрывать коврами дорожками или помещать на него тяжелые предметы.
- Периодически стирайте пыль со штепсельной вилки. Это уменьшит вероятность скапливания влаги, которая повышает опасность поражения электрическим током.
- Извлекайте штепсельную вилку из розетки перед очисткой устройства. Извлекая штепсельную вилку, удерживайте ее за штепсель. Запрещается тянуть за шнур питания.
- Если устройство не используется, извлекайте штепсельную вилку из розетки.
- Запрещается прикасаться к штепсельной вилке мокрыми руками.
- Используйте электрическое питание (напряжение и частоту), указанные для монтируемой модели воздухоочистителя.
- Не допускается загорать воздуховпускное или воздуховыпускное отверстие воздухоочистителя.
- Не допускается использование устройства без установленных фильтров.
- Запрещается мыть и повторно использовать любые фильтры.
- Работа устройства гарантируется только при использовании приспособлений и фильтров торговой марки AeraMax® PRO.
- Не разрешается разбрызгивать аэрозоли на устройство или внутрь него.
- Отключите устройство от сети питания перед выполнением чистки или других операций по техническому обслуживанию.
- Не разрешается использование для чистки устройства моющих средств.
- Запрещается вставлять пальцы, посторонние предметы и лить жидкости в воздухозаборник или отверстие для выпуска воздуха.
- Не разрешается использовать устройство ни для каких иных целей, кроме очистки воздуха.
- Если шнур питания поврежден, то во избежание опасности заменять его должен производитель, его сервисный агент или лицо, обладающее аналогичной квалификацией.
- Данное устройство разрешено использовать детям в возрасте 8 лет и старше, лицам с ограниченными физическими, сенсорными или психическими возможностями, а также лицам, не обладающим необходимым опытом и знаниями, если при использовании устройства они находятся под присмотром или ознакомлены с техникой безопасности и осознают возможную опасность. Не позволяйте детям играть с устройством. Не позволяйте детям чистить и разбирать устройство без присмотра

Только для Германии.

- Использовать устройство разрешается только за пределами Зоны 2.
- Устройство надлежит использовать с устройством защитного отключения (УЗО) с номинальным отключающим дифференциальным током, не превышающим 30 мА.

ОГРАНИЧЕННАЯ ГАРАНТИЯ НА ИЗДЕЛИЕ

Ограниченная гарантия. Компания Fellowes, Inc. («Fellowes») гарантирует, что система контроля качества воздуха AeraMax® PRO («Изделие») будет свободна от дефектов материала и изготовления в течение 3 лет с даты приобретения. В случае монтажа изделия на объекте нового строительства гарантийный срок начинается с даты получения разрешения на ввод объекта в эксплуатацию или через один год после даты покупки, в зависимости от того, что наступит раньше. Если какая-либо деталь устройства будет признана дефектной в течение гарантийного срока, единственным и исключительным средством правовой защиты покупателя является ремонт или замена дефектной детали (по усмотрению и за счет компании Fellowes). Гарантия не распространяется на ущерб, причиненный вследствие использования фильтров, не одобренных компанией Fellowes, или несоблюдения рекомендуемой процедуры замены. Данная гарантия не распространяется на случаи неправильной эксплуатации, неправильного обращения, несоблюдения эксплуатационных норм, эксплуатации устройства при ненадлежащих параметрах электропитания (отличных от указанных на этикетке), а также несанкционированного ремонта. Компания Fellowes сохраняет за собой право взыскивать с покупателя любые дополнительные расходы, понесенные компанией Fellowes при предоставлении деталей или обслуживания за пределами страны, где изделие было первоначально продано уполномоченным продавцом. Данная гарантия не распространяется на сменные фильтры. Если изделие окажется, что специальному обслуживающему персоналу компании Fellowes не предоставлен свободный доступ к объекту, компания Fellowes оставляет за собой право на поставку заказчику запасных частей или изделия, что будет считаться полным выполнением ее обязательств по настоящей гарантии, а также любых обязательств по обслуживанию. **НАСТОЯЩИЙ ДОКУМЕНТ ОГРАНИЧИВАЕТ ДЕЙСТВИЕ ЛЮБОЙ ПОДРАЗУМЕВАЕМОЙ ГАРАНТИИ, В ТОМ ЧИСЛЕ ГАРАНТИИ ТОВАРНОГО СОСТОЯНИЯ ИЛИ ПРИГОДНОСТИ ДЛЯ ИСПОЛЬЗОВАНИЯ В ОПРЕДЕЛЕННЫХ ЦЕЛЯХ, УКАЗАННЫМ ВЫШЕ СООТВЕТСТВУЮЩИМ ГАРАНТИЙНЫМ СРОКОМ.** Компания Fellowes ни при каких обстоятельствах не несет ответственность за любой косвенный ущерб, связанный с данным изделием. Эта гарантия предоставляет вам определенные юридические права. Срок действия и условия настоящей гарантии действительны во всем мире за исключением стран, где местное законодательство может налагать другие ограничения или условия.

СОДЕРЖАНИЕ КОМПЛЕКТА

- Воздухоочиститель промышленного класса AeraMax® PRO
- Гибридный фильтр 4,4 см (включает фильтр True HEPA 4,4 см и угольный фильтр 4,4 см)
- Шайбы (2) и винты (4) для настенного монтажа
- Анкеры по гипсокартону
- Сведения о регистрации
- Настенный монтажный шаблон

ХАРАКТЕРИСТИКИ ИЗДЕЛИЯ

AeraMax® PRO AM II	
Размеры (В x Ш x Г)	57,4 x 35,6 x 10,2 см
Вес системы (включая фильтры)	5,38 кг
Требования к питанию	220–240 В, 50 Гц, 0,55 А
Расход энергии (5 скоростей вентилятора)	5, 8, 13, 41, 71 Вт
Подача воздуха (5 скоростей вентилятора)	1, 1,2, 1,4, 1,8, 2,8 м3/мин
Громкость	45, 48, 51, 60, 64 дБ
Дисплей	Емкостный сенсорный экран
Датчики	EnviroSmart™
Режимы управления под управлением датчика	2 основных режима – автоматический и ручной режим
Поставляемые фильтры	(1) Гибридный фильтр 4,4 см (включает фильтр True HEPA 4,4 см и угольный фильтр 4,4 см) средним расчетным сроком службы, составляющим 1 год. (1) предфильтр, рассчитанный на 3 месяца работы.
Система очистки	В гибридный фильтр входит высокоэффективный сухой воздушный фильтр (HEPA), с номинальной эффективностью очистки от взвешенных в воздухе частиц размером 0,3 микрон до 99,97%. Угольный фильтр адсорбирует запахи и летучие органические соединения, биполярный ионизатор PlasmaTRUE™.
*Число м3/мин. тестировалось с гибридным фильтром и машиной в вертикальном положении.	

ЗАПАСНЫЕ ФИЛЬТРЫ

Сменные угольные фильтры	Дополнительные фильтры с гранулированным активированным углем. Средний срок службы фильтра 6 лет: 9544402 – 2 комплекта
Фильтр True HEPA 4,4 см	Запасной фильтр True HEPA с антимикробной защитой AeraSafe™. Средний срок службы фильтра 2 года: 9544301 – 1 упаковка
Гибридный 4,4 см	Запасной фильтр с гранулированным активированным углем. Средний срок службы фильтра 1 год: 9544601 – 1 упаковка
Гибридный 4,4 см	Фильтр True HEPA 4,4 см и угольный фильтр 4,4 см с запасным гибридным фильтром. Средний срок службы фильтра 1 год: 9544501 – 1 упаковка

Информация касательно дополнительных запасных фильтров и вспомогательных принадлежностей приведена на сайте: www.aeramaxpro.com

ИНДИКАТОРНАЯ ПАНЕЛЬ



ПРИМЕЧАНИЕ. Ручной режим будет недоступен в течение одной минуты после первоначального включения питания.

- 1 ДАТЧИК КАЧЕСТВА ВОЗДУХА** – Данный индикатор контролирует состояние воздуха и регулирует скорость вентилятора для очищения воздуха. Синий цвет указывает на низкий уровень обнаруженных загрязняющих веществ, желтый цвет указывает на умеренный уровень загрязняющих веществ, а красный цвет указывает на высокий уровень загрязняющих веществ.
- 2 АВТОМАТИЧЕСКИЙ РЕЖИМ** – Для выбора данного режима нажмите и удерживайте кнопку, пока не загорится значок. В данном режиме выполняется контроль качества воздуха, движения и уровня шума для регулировки скорости вентилятора, чтобы очищать воздух максимально быстро. Вентилятор имеет 5 скоростей и может работать в турборежиме при очистке помещения от высоких уровней загрязняющих веществ. Количество светящихся вокруг данного значка контрольных делений указывает скорость работы вентилятора. Данная кнопка также включает ТИХИЙ РЕЖИМ. Для выбора этого режима нажмите и удерживайте кнопку, пока она не загорится фиолетовым цветом. Устройство продолжит использовать EnviroSmart™, но при этом будет работать только в трех самых тихих из 5 скоростей вентилятора.
- 3 РУЧНОЙ РЕЖИМ** – Для выбора данного режима, зажмите кнопку, пока не загорится значок. Данный режим позволяет выбирать одну из 5 скоростей вентилятора и поддерживает эту скорость работы устройства до тех, пока снова не будет выбран АВТОМАТИЧЕСКИЙ РЕЖИМ. В данном режиме внутренние датчики не будут регулировать скорость вентилятора. Количество светящихся вокруг значка АВТОМАТИЧЕСКОГО РЕЖИМА контрольных делений указывает скорость работы вентилятора.
- 4 ТЕХНОЛОГИЯ PlasmaTRUE™** – Создает ионизированное поле для безопасного удаления переносимых по воздуху загрязняющих веществ. Для включения и отключения ТЕХНОЛОГИИ PlasmaTRUE™, прикоснитесь к индикатору PLASMA и удерживайте его. Голубой свет загорается при включении PlasmaTRUE™ TECHNOLOGY. Чтобы отключить PlasmaTRUE™ TECHNOLOGY, нажмите и удерживайте индикатор «Plasma», пока не погаснет свет.
- 5 ИНДИКАТОР ЗАМЕНЫ УГОЛЬНОГО ФИЛЬТРА*** – Если индикатор горит красным цветом, фильтр нуждается в замене. Период между заменами зависит от используемых фильтров, количества отработанных часов, качества воздуха и скорости подачи воздуха. Описания индикаторов замены фильтров приведены в разделе ЗАМЕНА ФИЛЬТРА.
- 6 ИНДИКАТОР ЗАМЕНЫ HEPA ФИЛЬТРА*** – Если индикатор горит красным цветом, фильтр нуждается в замене. Период между заменами зависит от используемых фильтров, количества отработанных часов, качества воздуха и скорости подачи воздуха. Описания индикаторов замены фильтров приведены в разделе ИНДИКАТОР ЗАМЕНЫ ФИЛЬТРОВ.

*Примечание — если используется гибридный фильтр, то будет гореть как индикатор HEPA фильтра, так и индикатор угольного фильтра.

ЭКСПЛУАТАЦИЯ

Воздухоочиститель непрерывно работает в автоматическом режиме; Воздухоочиститель последовательно проходит все 5 скоростей, чтобы очистить помещение от загрязняющих веществ. После завершения очистки воздуха, если ни один из датчиков не активировался, устройство переходит в режим энергосбережения, чтобы сократить расход энергии и продлить срок службы фильтров.

При выбранном ручном режиме индикатор ручного режима на панели управления будет гореть синим цветом. Данный режим позволяет выбирать одну из 5 скоростей вентилятора и поддерживает эту скорость работы устройства до тех, пока не будет выбран автоматический режим.

МОНТАЖ

Перед монтажом устройства внимательно прочитайте инструкции.

БЕЗОПАСНОСТЬ

ПРЕДУПРЕЖДЕНИЕ:

Учитывайте расположение машины относительно электрической розетки (длина шнура: приблизительно 1 м 65 см).

Во избежание риска поражения электрическим током, перед тем как приступить к монтажным работам, убедитесь, что источник питания отсоединен или выключен.

Убедитесь, что непосредственно за зоной монтажа/сверления нет электропроводки, трубопроводов и воздуховодов.

Настоятельно рекомендуется предусмотреть на существующей стойке не менее 2 монтажных точек для воздухоочистителя. Для выполнения монтажа требуется 2 человека.

Следуйте инструкциям, изложенным в разделе «Монтаж основной установки».

ИНСТРУМЕНТЫ, РЕКОМЕНДУЕМЫЕ ДЛЯ МОНТАЖА

- Электрическая дрель, головки сверла (не входят в комплект)
- Крестообразная отвертка № 2 и отвертка с плоским шлицем №2 (не входят в комплект)
- Соединительные изолирующие зажимы (не входят в комплект)
- Уровень (не входит в комплект)
- Искатель стоек

ДЕТАЛИ, ПРЕДОСТАВЛЕННЫЕ ДЛЯ МОНТАЖА

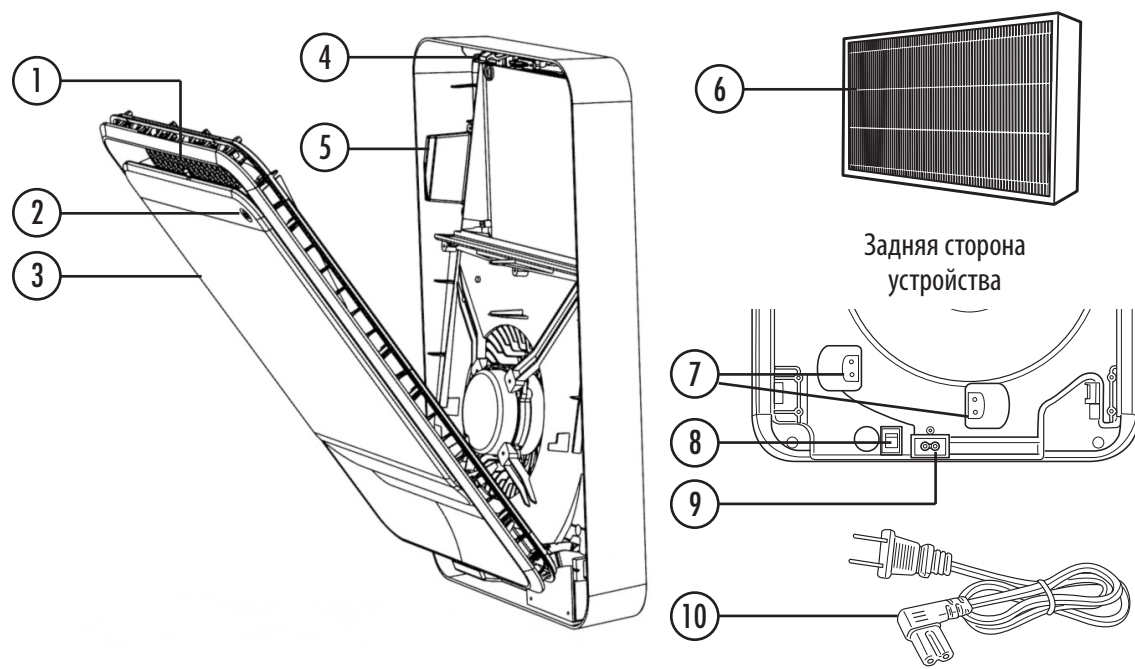
- Анкеры для гипсокартона — НД 10 мм
- Винты с полукруглой головкой и крестообразным шлицем

ИНСТРУКЦИИ ПО МОНТАЖУ ИЗДЕЛИЯ

Если воздухоочиститель устанавливается высоко на стене, следует убедиться, что верхний край устройства размещен не менее, чем на 8 дюймов (21 см) ниже потолка, чтобы обеспечить доступ для замены фильтра.

УСЛОВНЫЕ ОБОЗНАЧЕНИЯ

1. Панель управления
2. Датчик движения
3. Передняя панель доступа
4. Защелка панели доступа
5. Сертифицированная наклейка для фильтра
6. Гибридный фильтр с предфильтром
7. Укладка кабеля
8. Выключатель питания
9. Штыревой разъем шнура питания
10. Гнездовой разъем IEC



ПОДГОТОВКА К ЭКСПЛУАТАЦИИ — раздел УСЛОВНЫХ ОБОЗНАЧЕНИЙ

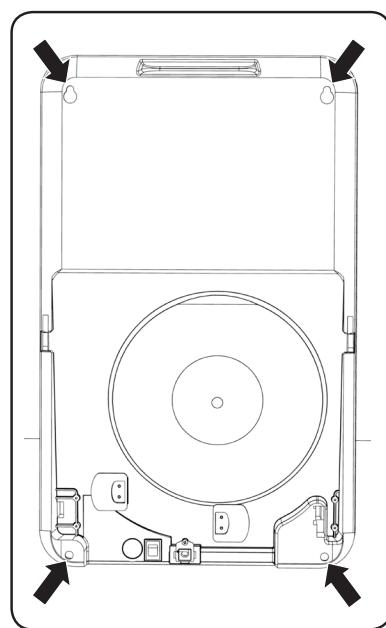
1. Откройте устройство, нажав на защелку панели доступа (4) и потянув переднюю панель доступа на себя.
2. Снимите мешок с фильтра и установите его назад в устройство.
3. Подключите гнездовой разъем IEC (10) к штыревому разъему шнура питания (9) на задней стороне устройства.

МОНТАЖ ОСНОВНОГО УСТРОЙСТВА

1. Для монтажа устройства выберите область рядом со стандартной розеткой (длина шнура приблизительно 1,6 метров).
- Используя монтажный шаблон, отметьте на стене места расположения четырех монтажных точек. Если монтажные точки расположены на существующей стойке, никаких подготовительных работ не требуется. Если монтажные точки расположены на гипсокартоне или другой поверхности, нуждающейся в дополнительной поддержке, используйте анкеры.
- [Только при использовании анкеров] Для использования анкеров, просверлите отверстие 10 мм в точке (точках) расположения монтажных отверстий и установите анкеры в стене.
- Вкрутите 2 верхних винта, оставив между головкой винта и стеной зазор приблизительно в 1/4" (6 мм). Не вкручивайте винты до конца.
- Навесьте устройство на винты, установленные в ходе предыдущего этапа, используя верхние монтажные отверстия в форме замочной скважины.
- Откройте переднюю крышку устройства и заверните 2 нижних винта крепления в нижние крепежные отверстия.
- Затяните 4 винта заподлицо.
- Для повышения производительности наклейте предоставленные наклейки (2) на места расположения внутренних верхних монтажных отверстий.
- Выньте фильтр (фильтры) из упаковки и установите их в устройство. Примечание: Положение «Сертифицированной наклейки на фильтр AeraMax Pro» должно быть выверено в соответствии с положением идентичной наклейки, расположенной на устройстве. Если фильтр не будет установлен должным образом, устройство не включится.
- Вставьте шнур питания в стандартную розетку.
- Заведите руку за устройство и включите его, используя выключатель питания, расположенный в нижнем правом углу на задней стороне устройства.

Примечание. Ручной режим будет недоступен в течение одной минуты после первоначального включения питания.

4 Монтажные точки



УХОД И ТЕХНИЧЕСКОЕ ОБСЛУЖИВАНИЕ

ЧИСТКА:

- Наружный корпус надлежит протирать по мере необходимости сухой мягкой тканью; для удаления пятен, используйте теплую, влажную ткань.
- Запрещается использовать для чистки летучие жидкости, такие как бензол, разбавитель для краски, чистящий порошок или прочие чистящие средства, поскольку они могут повредить поверхность устройства.
- Чтобы очистить впускные и выпускные отверстия, протрите их мягкой сухой тканью.

ЗАМЕНА ФИЛЬТРОВ.

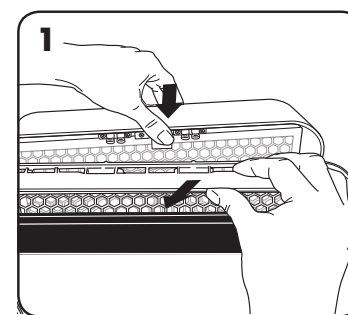
Индикаторы замены фильтров укажут на необходимость замены фильтра HEPA и/или угольных фильтров. Период между заменами зависит от количества отработанных часов, качества воздуха и скорости подачи воздуха. Однако большинство фильтров HEPA при нормальных условиях работы необходимо заменять каждый год, угольный фильтр – через каждые 6 месяцев, а гибридный фильтр – каждый год. При необходимости замены фильтра, один из индикаторов замены фильтра HEPA или УГОЛЬНОГО фильтра загорится следующим цветом:

Желтый (мигает) = 90 % износ фильтра (рекомендуется заказать новые фильтры)

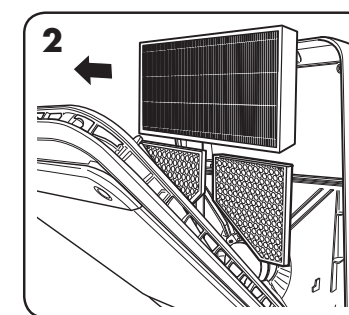
Красный = 100 % износ фильтра (заменить на новые фильтры)

Запрещается мыть и повторно использовать фильтры – их использование будет неэффективным. Работа устройства гарантируется только при использовании запасных фильтров марки AeraMax® PRO.

ПРОЦЕДУРА ЗАМЕНЫ ФИЛЬТРА:



1. Нажмите на защелку панели доступа и потяните переднюю панель на себя.



2. Удалите старый фильтр (фильтры). 3. При установке новых фильтров обязательно снимите пластиковый мешок. При установке гибридного фильтра, убедитесь, что зеленый предфильтр расположен над черной угольной стороной, и вставьте сначала эту сторону белой надписью HEPA наружу. При установке новых гибридных фильтров или фильтров HEPA следует выверить положение сертифицированных наклеек для фильтра AeraMax® PRO на фильтре и на внутренней поверхности устройства. Стрелка должна указывать в направлении задней стороны устройства.

Позиция (5) в разделе УСЛОВНЫХ ОБОЗНАЧЕНИЙ

СБРОС СВЕТОВОГО ИНДИКАТОРА ФИЛЬТРОВ.

При монтаже нового фильтра устройство автоматически определит тип фильтра, но пользователю придется вручную сбросить показания индикаторов замены фильтров. Для сброса любого из индикаторов замены фильтра нажмите и удерживайте кнопку того типа фильтра, который был заменен (HEPA или угольный), пока не погаснет световой индикатор. По необходимости повторите операцию для других типов фильтра. При замене гибридного фильтра надлежит выполнить сброс как светового индикатора фильтра HEPA, так и светового индикатора угольного фильтра.

ВЫЯВЛЕНИЕ И УСТРАНЕНИЕ НЕПОЛАДОК

ПРОБЛЕМА:	ВОЗМОЖНОЕ РЕШЕНИЕ
Система контроля качества воздуха не включается.	<ul style="list-style-type: none"> • Убедитесь, что устройство подсоединено к источнику питания. • Убедитесь, что в качестве фильтров используются оригинальные фильтры AeraMax® PRO, поскольку устройство не работает с фильтрами других марок. ВАЖНО: Обязательно выверьте положение сертифицированных наклеек AeraMax® PRO на фильтре и на внутренней поверхности устройства. • Для получения более подробной информации, см. раздел «Порядок замены фильтра». • Убедитесь, что передняя панель доступа полностью закрыта. • Убедитесь, что выключатель питания включен.
Устройство издает тихий тикающий звук.	<ul style="list-style-type: none"> • Это указывает на то, что биполярный ионизатор «PlasmaTRUE™» работает.
Световой индикатор замены фильтра HEPA и/или угольного фильтра продолжает гореть после замены фильтра (фильтров).	<ul style="list-style-type: none"> • Повторите процедуру сброса светового индикатора замены фильтра.

ΕΛΛΗΝΙΚΑ

AeraMax® PRO Επαγγελματικός καθαριστής αέρα: AM II

ΟΔΗΓΙΕΣ ΑΣΦΑΛΕΙΑΣ/ΠΡΟΕΙΔΟΠΟΙΗΣΗ

Σας ευχαριστούμε που αγοράσατε το AeraMax® PRO AM II.

Διαβάστε και φυλάξτε αυτές τις οδηγίες. Διαβάστε τις προσεκτικά προτού επιχειρήσετε να λειτουργήσετε ή να συντηρήσετε αυτό το προϊόν. Προστατεύστε τον εαυτό σας και τους άλλους ακολουθώντας όλες τις πληροφορίες για την ασφάλεια. Η μη συμμόρφωση με τις οδηγίες θα μπορούσε να προκαλέσει τραυματισμό ή/και υλικές ζημιές. Φυλάξτε τις οδηγίες για μελλοντική αναφορά.

ΣΗΜΑΝΤΙΚΕΣ ΣΗΜΕΙΩΣΕΙΣ ΠΡΟΣΟΧΗΣ ΚΑΙ ΟΔΗΓΙΕΣ ΧΡΗΣΗΣ ΤΟΥ ΚΑΘΑΡΙΣΤΗ ΑΕΡΑ:

ΠΡΟΕΙΔΟΠΟΙΗΣΗ: Ακολουθείτε τις οδηγίες σε αυτό το εγχειρίδιο για να μειώσετε τον κίνδυνο ηλεκτροπληξίας, βραχυκυκλώματος ή/και πυρκαγιάς:

- Μην χρησιμοποιείτε αυτόν τον καθαριστή αέρα ως το μοναδικό προστατευτικό μέσο έναντι των επιβλαβών μολυσματικών ουσιών.
- Χρησιμοποιείτε αυτήν τη μονάδα μόνο με τον τρόπο που ορίζει ο κατασκευαστής. Αν έχετε ερωτήσεις, επικοινωνήστε με τον κατασκευαστή.
- Μην επισκευάζετε ή τροποποιείτε τη μονάδα, εκτός και το συγκεκριμένο συνιστάται στο παρόν εγχειρίδιο. Όλες οι επισκευές θα πρέπει να εκτελούνται από εξουσιοδοτημένο τεχνικό.
- Μην μετατρέπετε με κανέναν τρόπο το βύσμα. Αν το βύσμα δεν ταιριάζει στην πρίζα, αντιστρέψτε το βύσμα. Αν παρόλα αυτά δεν ταιριάζει, επικοινωνήστε με έναν εξειδικευμένο τεχνικό για να εγκαταστήσει μια κατάλληλη πρίζα.
- Μην χρησιμοποιείτε τη μονάδα αν το καλώδιο τροφοδοσίας ή η πρίζα είναι ελαττωματικά ή η σύνδεση στην πρίζα τοίχου είναι χαλαρή.
- Μην καταστρέψετε, σπάτε, λυγίζετε με βία, τραβάτε, συστρέψετε, συνενώνετε, επικαλύπτετε, σφίγγετε, περνάτε κάτω από χαλιά, καλύπτετε με ριχτάρια ή τοποθετείτε βαριά αντικείμενα πάνω στο καλώδιο τροφοδοσίας.
- Απομακρύνετε κατά διαστήματα τη σκόνη από το βύσμα τροφοδοσίας. Έτσι θα περιοριστούν οι πιθανότητες να συγκεντρωθεί υγρασία, η οποία αυξάνει τον κίνδυνο ηλεκτροπληξίας.
- Αφαιρέστε το βύσμα τροφοδοσίας από την πρίζα πριν καθαρίσετε τη μονάδα. Όταν αφαιρείτε το βύσμα τροφοδοσίας, πιάνετε το ίδιο το βύσμα και ποτέ από το καλώδιό του.
- Αφαιρείτε το βύσμα τροφοδοσίας από την πρίζα όταν η μονάδα δεν χρησιμοποιείται.
- Μην πιάνετε το βύσμα τροφοδοσίας με βρεγμένα χέρια.
- Χρησιμοποιείτε μόνο την ηλεκτρική ισχύ (τάση και συχνότητα) που έχει καθοριστεί για το μοντέλο καθαριστή αέρα που εγκαθιστάτε.
- Μην παρεμποδίζετε την είσοδο ή την έξοδο αέρα του καθαριστή αέρα.
- Μην χρησιμοποιείτε τη μονάδα χωρίς να έχετε εγκαταστήσει τα φίλτρα.
- Μην πλένετε και μην επαναχρησιμοποιείτε κανένα φίλτρο.
- Μην χρησιμοποιείτε άλλα εξαρτήματα ή φίλτρα εκτός από αυτά της AeraMax® PRO, επειδή η μονάδα δεν θα λειτουργήσει.
- Μην ψεκάζετε αερολύματα επάνω ή μέσα στη μονάδα.
- Πριν τον καθαρισμό ή άλλη συντήρηση, η συσκευή πρέπει να αποσυνδεθεί από το δίκτυο τροφοδοσίας
- Μην χρησιμοποιείτε απορρυπαντικό για να καθαρίσετε τη μονάδα.
- Μην εισάγετε δάχτυλα, υγρά ή ξένα αντικείμενα στην είσοδο ή έξοδο του αέρα.
- Μην χρησιμοποιείτε τη μονάδα για οτιδήποτε άλλο εκτός από τον καθαρισμό αέρα.
- Αν το καλώδιο παροχής παρουσιάσει βλάβη, πρέπει να αντικατασταθεί από τον κατασκευαστή, τον εκπρόσωπό του ή αντίστοιχα ειδικευμένα άτομα, για την αποφυγή κινδύνου.
- Αυτή η συσκευή μπορεί να χρησιμοποιηθεί από παιδιά ηλικίας από 8 ετών και άνω και από άτομα με μειωμένες σωματικές, αισθητηριακές ή διανοητικές ικανότητες ή έλλειψη εμπειρίας και γνώσης, εφόσον έχουν τύχει επίβλεψης ή καθοδήγησης σχετικά με τη χρήση της συσκευής με ασφαλή τρόπο κατανοώντας τους κινδύνους που υπάρχουν. Τα παιδιά δεν πρέπει να παίζουν με αυτή τη συσκευή. Ο καθαρισμός και η συντήρηση από τον χρήστη δεν θα πρέπει να γίνεται από παιδιά χωρίς επίβλεψη.

Μόνο στην Γερμανία.

- Επιτρέπεται η χρήση μόνο εκτός της Ζώνης 2.
- Η συσκευή θα πρέπει να χρησιμοποιείται με συσκευές προστασίας ρεύματος διαρροής (RCD) με ονομαστικό ρεύμα διαρροής λειτουργίας κάτω των 30 mA.

ΠΕΡΙΟΡΙΣΜΕΝΗ ΕΓΓΥΗΣΗ ΤΟΥ ΠΡΟΪΟΝΤΟΣ

Περιορισμένη Εγγύηση: Η Fellowes, Inc. ("Fellowes") εγγυάται ότι το σύστημα ελέγχου ποιότητας αέρα AeraMax® PRO (το "προϊόν") δεν έχει ελαττώματα σε υλικά και εργατικά για 3 έτη από την ημερομηνία αγοράς. Σε περίπτωση που το Προϊόν εγκαθίσταται σε νέα οικοδομή, η περίοδος εγγύησης θα ξεκινήσει από την ημερομηνία άδειας χρήσης αυτής ή ένα έτος μετά την ημερομηνία αγοράς, όποια είναι πρώτη. Εάν παρουσιαστεί ελάττωμα σε οποιοδήποτε εξάρτημα κατά την περίοδο εγγύησης, η μόνη και αποκλειστική σας αποκατάσταση θα είναι η επισκευή ή η αντικατάσταση, κατά την επιλογή και με έξοδα της Fellowes, του ελαττωματικού εξαρτήματος. Αυτή η εγγύηση δεν καλύπτει ζημιές που προκαλούνται από τη χρήση φίλτρων που δεν έχουν εγκριθεί από την Fellowes ή αν δεν τηρηθεί το συνιστώμενο χρονοδιάγραμμα αντικατάστασης. Αυτή η εγγύηση δεν ισχύει σε περιπτώσεις κακομεταχείρισης, ακατάλληλου χειρισμού, μη συμμόρφωσης με τα πρότυπα χρήσης του προϊόντος, λειτουργίας με τη χρήση ακατάλληλης ηλεκτρικής τροφοδοσίας (εκτός από αυτήν που αναφέρεται στην ετικέτα) ή μη εξουσιοδοτημένων επισκευών. Η Fellowes διατηρεί το δικαίωμα να χρεώσει τους πελάτες για οποιοδήποτε πρόσθετο κόστος στο οποίο υποβάλλεται η Fellowes για να παρέχει εξαρτήματα ή υπηρεσίες εκτός της χώρας στην οποία πουλήθηκε αρχικά το Προϊόν από έναν εξουσιοδοτημένο μεταπωλητή. Αυτή η εγγύηση δεν καλύπτει τα αναλώσιμα φίλτρα. Σε περίπτωση που το Προϊόν δεν είναι άμεσα προσβάσιμο στο καθορισμένο προσωπικό σέρβις της Fellowes, η Fellowes διατηρεί το δικαίωμα να παράσχει στον πελάτη ανταλλακτικά ή το Προϊόν τηρώντας όλες τις υποχρεώσεις της που απορρέουν από αυτήν την εγγύηση καθώς και τις υποχρεώσεις για το σέρβις του. ΟΠΟΙΟΔΗΠΟΤΕ ΥΠΟΝΟΟΥΜΕΝΗ ΕΓΓΥΗΣΗ, ΣΥΜΠΕΡΙΛΑΜΒΑΝΟΜΕΝΩΝ ΕΓΓΥΗΣΕΩΝ ΕΜΠΟΡΕΥΣΙΜΟΤΗΤΑΣ Η ΚΑΤΑΛΛΗΛΟΤΗΤΑΣ ΓΙΑ ΣΥΓΚΕΚΡΙΜΕΝΟ ΣΚΟΠΟ, ΠΕΡΙΟΡΙΖΕΤΑΙ ΔΙΑ ΤΟΥ ΠΑΡΟΝΤΟΣ ΣΕ ΔΙΑΡΚΕΙΑ ΊΣΗ ΜΕ ΤΗΝ ΑΝΑΛΟΓΗ ΔΙΑΡΚΕΙΑ ΕΓΓΥΗΣΗΣ ΠΟΥ ΑΝΑΦΕΡΕΤΑΙ ΠΑΡΑΠΑΝΩ. Η εταιρεία Fellowes δεν θα είναι σε καμία περίπτωση υπεύθυνη για οποιοδήποτε συνεπαγόμενες, συμπτωματικές, έμμεσες ή ειδικές ζημιές. Αυτή η εγγύηση σας δίνει συγκεκριμένα νομικά δικαιώματα. Η διάρκεια, οι όροι και οι προϋποθέσεις αυτής της εγγύησης ισχύουν σε παγκόσμιο επίπεδο, εκτός από τις περιπτώσεις στις οποίες μπορεί να απαιτούνται από τους τοπικούς νόμους συγκεκριμένοι περιορισμοί ή ειδικές απαγορεύσεις ή προϋποθέσεις.

ΠΕΡΙΕΧΟΜΕΝΑ ΣΥΣΚΕΥΑΣΙΑΣ

- AeraMax® PRO Επαγγελματικός καθαριστής αέρα
- Υβριδικό φίλτρο 4,4 cm (περιλαμβάνει φίλτρο True HEPA 4,4 cm & ενεργό άνθρακα 4,4 cm)
- Βίδες επιτοίχιας τοποθέτησης (4) και ροδέλες (2)
- Ούπα για γυφθοσανίδα
- Πληροφορίες Εγγραφής
- Πλαίσιο τοποθέτησης στον τοίχο

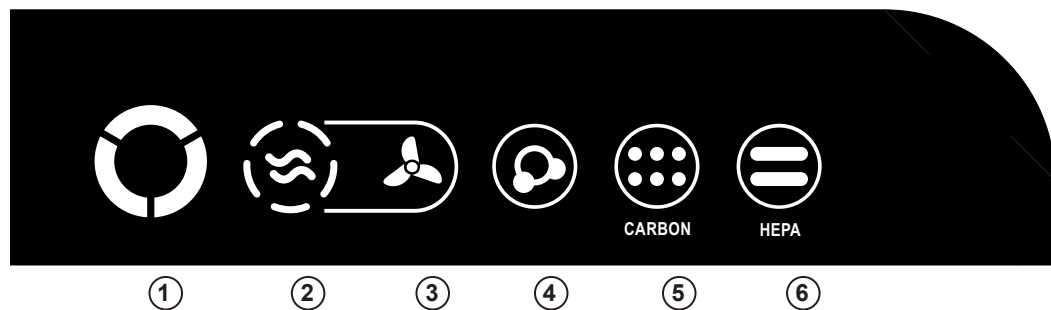
ΠΡΟΔΙΑΓΡΑΦΕΣ ΠΡΟΪΟΝΤΟΣ

AeraMax® PRO AM II	
Διαστάσεις (Υ x Π x Β)	57,4 x 35,6 x 10,2 cm
Βάρος Συστήματος (συμπεριλαμβανομένων των φίλτρων)	11,9 λίβρες / 5,38 kg
Απαιτήσεις Ισχύος	220-240 volt, 50 Hz, 0,55 amp
Κατανάλωση Ισχύος (5 ταχύτητες ανεμιστήρα)	5, 8, 13, 41, 71 watt
Παροχή Αέρα (5 ταχύτητες ανεμιστήρα)	10,7, 13,1, 15,5, 19,5, 30,5 m3/h*
Ντεσιμπέλ	45, 48, 51, 60, 64 dB
Οθόνη	Χωρητική αφή
Αισθητήρες	EnviroSmart™
Καταστάσεις Λειτουργίας Ελεγχόμενες από Αισθητήρα	2 Κύριες καταστάσεις - Αυτόματη και Χειροκίνητη κατάσταση
Παρεχόμενα Φίλτρα	(1) Υβριδικό φίλτρο 4,4 cm (περιλαμβάνει φίλτρο True HEPA 4,4 cm & ενεργό άνθρακα 4,4 cm) με εκτιμώμενη διάρκεια ζωής φίλτρου 1 έτος. (1) προφίλτρο, εκτιμώμενη διάρκεια ζωής 3 μήνες.
Σύστημα Καθαρισμού	Το υβριδικό φίλτρο περιλαμβάνει Φίλτρο Υψηλής Απόδοσης για τη Συγκράτηση Σωματιδίων (HEPA) με ονομαστική απόδοση 99,97% στα αερομεταφερόμενα σωματίδια στα 0,3 micron. Το Φίλτρο Άνθρακα απορροφά τις οσμές και τις πτητικές οργανικές ενώσεις. Διπολικός, ιονιστής PlasmaTRUE™.
*m3/h ελεγμένο με υβριδικό φίλτρο και μηχανή σε κατακόρυφο προσανατολισμό.	

ΑΝΤΑΛΛΑΚΤΙΚΑ ΦΙΛΤΡΑ

Ενισχυτές άνθρακα	Πρόσθετα φίλτρα κοκκώδους ενεργού άνθρακα. Μέση διάρκεια ζωής φίλτρου 6 μήνες: 9544402 - 2 σετ
4,4 cm True HEPA	Ανταλλακτικό φίλτρο True HEPA με επεξεργασία AeraSafe™. Μέση διάρκεια ζωής φίλτρου 2 έτη: 9544301 - 1 πακέτα
4,4 cm άνθρακα	Ανταλλακτικό φίλτρο κοκκώδους ενεργού άνθρακα. Μέση διάρκεια ζωής φίλτρου 1 έτος: 9544601 - 1 πακέτα
Υβριδικό 4,4 cm	Υβριδικό ανταλλακτικό φίλτρο True HEPA 4,4 cm και άνθρακα με προφίλτρο 4,4 cm. Μέση διάρκεια ζωής φίλτρου 1 έτος: 9544501 - 1 πακέτα

Για περισσότερες πληροφορίες σχετικά με το ανταλλακτικό φίλτρο και τα αξεσουάρ, επισκεφθείτε την τοποθεσία: www.aeramaxpro.com



ΣΗΜΕΙΩΣΗ: Η χειροκίνητη κατάσταση δεν θα είναι διαθέσιμη για 1 λεπτό μετά την αρχική έναρξη λειτουργίας.

- 1 **ΑΙΣΘΗΤΗΡΑΣ ΠΟΙΟΤΗΤΑΣ ΑΕΡΑ** – Αυτή η ενδεικτική λυχνία παρακολουθεί την ποιότητα αέρα και ρυθμίζει την ταχύτητα του ανεμιστήρα για να διατηρεί καθαρό τον αέρα σας. Το μπλε υποδεικνύει ότι ανιχνεύθηκε χαμηλό επίπεδο μολυσματικών ουσιών, το πορτοκαλί υποδεικνύει μέτριο επίπεδο μολυσματικών ουσιών και το κόκκινο υποδεικνύει υψηλό επίπεδο μολυσματικών ουσιών.
- 2 **ΑΥΤΟΜΑΤΗ ΚΑΤΑΣΤΑΣΗ** – Για να επιλέξετε, πατήστε και κρατήστε πατημένο το κουμπί έως ότου ανάψει το εικονίδιο. Αυτή η κατάσταση παρακολουθεί την ποιότητα του αέρα, την κίνηση και το επίπεδο θορύβου για να ρυθμίζει την ταχύτητα του ανεμιστήρα έτσι ώστε να καθαρίζει τον αέρα σας όσο πιο γρήγορα γίνεται. Ο ανεμιστήρας έχει 5 ταχύτητες και μπορεί να φτάσει μια ταχύτητα τούρμπο για να καθαρίσει την αίθουσα σε περίπτωση υψηλών επιπέδων μολυσματικών ουσιών. Ο αριθμός σημείων ελέγχου που ανάβει γύρω από αυτό το εικονίδιο υποδεικνύει την ταχύτητα του ανεμιστήρα. Το κουμπί αυτό περιλαμβάνει επίσης την ΑΘΟΡΥΒΗ ΚΑΤΑΣΤΑΣΗ. Για να επιλέξετε, πατήστε και κρατήστε πατημένο έως ότου το κουμπί γίνει μοβ. Το μηχανήμα θα συνεχίσει να χρησιμοποιεί την τεχνολογία EnviroSmart™ αλλά μόνο τις 3 χαμηλότερες, πιο αθόρυβες από τις 5 ταχύτητες ανεμιστήρα.
- 3 **ΧΕΙΡΟΚΙΝΗΤΗ ΚΑΤΑΣΤΑΣΗ** – Για να επιλέξετε, πατήστε το κουμπί έως ότου ανάψει το εικονίδιο. Αυτή η κατάσταση σας επιτρέπει να επιλέξετε μία από τις 5 ταχύτητες ανεμιστήρα και να διατηρήσετε τη μονάδα στην ταχύτητα αυτή έως ότου η ΑΥΤΟΜΑΤΗ ΚΑΤΑΣΤΑΣΗ επιλεγεί ξανά. Οι εσωτερικοί αισθητήρες δεν θα προσαρμόσουν την ταχύτητα ανεμιστήρα σε αυτήν την κατάσταση. Ο αριθμός σημείων ελέγχου που ανάβει γύρω από το εικονίδιο ΑΥΤΟΜΑΤΗ ΚΑΤΑΣΤΑΣΗ υποδεικνύει την ταχύτητα του ανεμιστήρα.
- 4 **ΤΕΧΝΟΛΟΓΙΑ PlasmaTRUE™** – Δημιουργεί ένα ιονισμένο πεδίο που βοηθά την ασφαλή απομάκρυνση των αερομεταφερόμενων μολυσματικών ουσιών. Για την ενεργοποίηση και απενεργοποίηση της ΤΕΧΝΟΛΟΓΙΑΣ PlasmaTRUE™, αγγίξτε παρατεταμένα την ενδεικτική λυχνία PLASMA. Μια μπλε λυχνία ανάβει όταν είναι ενεργοποιημένη η ΤΕΧΝΟΛΟΓΙΑ PlasmaTRUE™. Για απενεργοποίηση της ΤΕΧΝΟΛΟΓΙΑΣ PlasmaTRUE™, πιέστε παρατεταμένα την ενδεικτική λυχνία “Plasma” μέχρι να σβήσει.
- 5 **ΕΝΔΕΙΚΤΙΚΗ ΛΥΧΝΙΑ ΑΝΤΙΚΑΤΑΣΤΑΣΗΣ ΦΙΛΤΡΟΥ ΑΝΘΡΑΚΑ*** – Αν η λυχνία είναι κόκκινη, αυτό υποδεικνύει ότι το φίλτρο χρειάζεται αντικατάσταση. Η περίοδος αντικατάστασης ποικίλλει ανάλογα με τα φίλτρα που χρησιμοποιούνται, τις ώρες χρήσης, την ποιότητα του αέρα και τον ρυθμό ροής αέρα. Για τις περιγραφές των ενδεικτικών λυχνιών αντικατάστασης φίλτρων, δείτε την ενότητα ΑΝΤΙΚΑΤΑΣΤΑΣΗ ΦΙΛΤΡΩΝ.
- 6 **ΕΝΔΕΙΚΤΙΚΗ ΛΥΧΝΙΑ ΑΝΤΙΚΑΤΑΣΤΑΣΗΣ ΦΙΛΤΡΟΥ ΗΕΡΑ*** – Αν η λυχνία είναι κόκκινη, αυτό υποδεικνύει ότι το φίλτρο χρειάζεται αντικατάσταση. Η περίοδος αντικατάστασης ποικίλλει ανάλογα με τα φίλτρα που χρησιμοποιούνται, τις ώρες χρήσης, την ποιότητα του αέρα και τον ρυθμό ροής αέρα. Για τις περιγραφές των ενδεικτικών λυχνιών αντικατάστασης φίλτρων, δείτε την ενότητα ΕΝΔΕΙΚΤΙΚΕΣ ΛΥΧΝΙΕΣ ΑΝΤΙΚΑΤΑΣΤΑΣΗΣ ΦΙΛΤΡΩΝ.

*Σημείωση - αν χρησιμοποιείται υβριδικό φίλτρο, θα ανάψουν τόσο η ένδειξη ΗΕΡΑ όσο και η ένδειξη άνθρακα.

ΛΕΙΤΟΥΡΓΙΑ

Ο καθαριστής αέρα λειτουργεί συνεχώς σε αυτόματη κατάσταση. Ο καθαριστής αέρα θα λειτουργήσει στα 5 επίπεδα ταχυτήτων προκειμένου να καθαρίσει το χώρο από μολυσματικές ουσίες. Αφού καθαριστεί ο αέρας και δεν έχουν ενεργοποιηθεί αισθητήρες, η μονάδα μεταβαίνει στην κατάσταση εξοικονόμησης ενέργειας, για μείωση της κατανάλωσης ενέργειας και επιμήκυνση της διάρκειας ζωής των φίλτρων.

Όταν επιλέγεται η χειροκίνητη κατάσταση, η ενδεικτική λυχνία χειροκίνητης κατάστασης στον πίνακα ελέγχου θα είναι μπλε. Αυτή η κατάσταση σας επιτρέπει να επιλέξετε μία από τις 5 ταχύτητες ανεμιστήρα και να διατηρήσετε τη μονάδα στην ταχύτητα αυτή έως ότου επιλεγεί η αυτόματη κατάσταση.

Διαβάστε προσεκτικά τις οδηγίες πριν από την εγκατάσταση της μονάδας.

ΑΣΦΑΛΕΙΑ

ΠΡΟΕΙΔΟΠΟΙΗΣΗ:

Σκεφτείτε την τοποθέτηση της μηχανής σε σχέση με την ηλεκτρική πρίζα (μήκος καλωδίου περίπου 5' 5").

Για να αποφευχθεί ο κίνδυνος ηλεκτροπληξίας, επιβεβαιώστε ότι η ηλεκτρική παροχή έχει αποσυνδεθεί ή απενεργοποιηθεί προτού αρχίσετε τις εργασίες εγκατάστασης.

Επιβεβαιώστε ότι κανένα ηλεκτροφόρο καλώδιο, σωλήνας παροχής ή αεραγωγός δεν βρίσκεται ακριβώς πίσω από την περιοχή εγκατάστασης / διάτρησης.

Συνιστούμε ιδιαίτερα να τοποθετήσετε τουλάχιστον 2 σημεία προσάρτησης για τον καθαριστή αέρα σε υπάρχον μπουζόνι. Απαιτούνται 2 άτομα για εγκατάσταση.

Ακολουθήστε τις οδηγίες εγκατάστασης κύριου τμήματος.

ΕΡΓΑΛΕΙΑ ΠΟΥ ΣΥΝΙΣΤΩΝΤΑΙ ΓΙΑ ΤΗΝ ΕΓΚΑΤΑΣΤΑΣΗ

- Ηλεκτρικό τρυπάνι, κεφαλές τρυπανιού (δεν περιλαμβάνονται)
- Κατσαβίδι Phillips αρ. 2 και κατσαβίδι επίπεδης κεφαλής αρ. 2 (δεν περιλαμβάνονται)
- Παξιμάδια καλωδίων (δεν περιλαμβάνονται)
- Αλφάδι (δεν περιλαμβάνεται)
- Συσσκευή εύρεσης μπουζονιών

ΜΕΡΗ ΠΟΥ ΠΑΡΕΧΟΝΤΑΙ ΓΙΑ ΤΗΝ ΕΓΚΑΤΑΣΤΑΣΗ

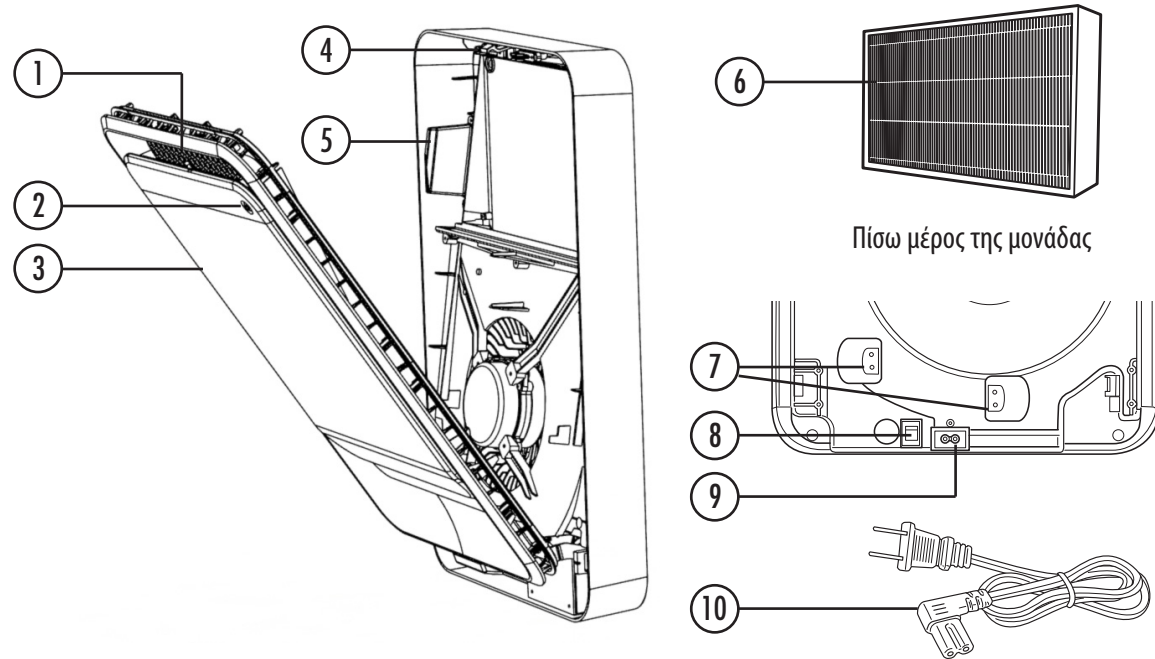
- Ούπα για γυφτοσανίδα - Εξ. διάμ. 10mm
- Λαμαρινόβιδες σταυρού

ΚΑΤΕΥΘΥΝΤΗΡΙΕΣ ΟΔΗΓΙΕΣ ΕΓΚΑΤΑΣΤΑΣΗΣ

Αν πρόκειται να προσαρτήσετε τον καθαριστή αέρα ψηλά στον τοίχο, βεβαιωθείτε ότι η πάνω πλευρά της μονάδας τοποθετείται τουλάχιστον 21 cm κάτω από την οροφή, για να είναι δυνατή η αντικατάσταση του φίλτρου.

ΕΠΕΞΗΓΗΣΗ

1. Πίνακας ελέγχου
2. Αισθητήρας κίνησης
3. Μπροστινός πίνακας πρόσβασης
4. Ασφάλεια πίνακα πρόσβασης
5. Αυτοκόλλητο πιστοποιημένου φίλτρου
6. Υβριδικό φίλτρο με προφίλτρο
7. Διαχείριση καλωδίων
8. Διακόπτης ισχύος
9. Υποδοχή καλωδίου τροφοδοσίας
10. Βύσμα IEC



ΕΓΚΑΤΑΣΤΑΣΗ - Αναφορά Τμήμα ΕΠΕΞΗΓΗΣΕΩΝ

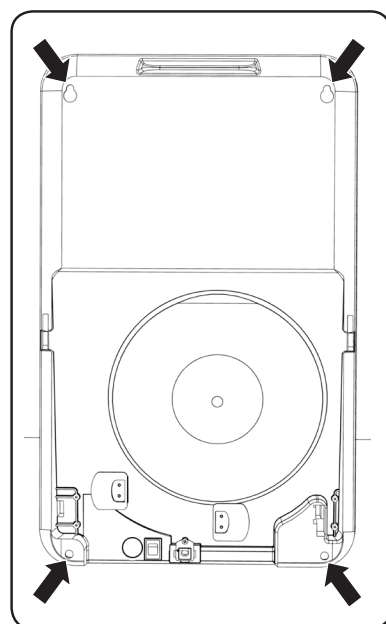
1. Ανοίξτε τη μονάδα πατώντας την ασφάλεια πίνακα πρόσβασης (4) ενώ τραβάτε τον πίνακα μπροστινής πρόσβασης προς τα εσάς.
2. Αφαιρέστε την τσάντα από το φίλτρο και τοποθετήστε ξανά στη μονάδα.
3. Συνδέστε το βύσμα IEC (10) στην υποδοχή καλωδίου τροφοδοσίας (9) στο πίσω μέρος της μονάδας.

ΕΓΚΑΤΑΣΤΑΣΗ ΚΥΡΙΟΥ ΤΜΗΜΑΤΟΣ

1. Επιλέξτε μια περιοχή για να εγκαταστήσετε τη μονάδα κοντά σε τυπική υποδοχή πρίζας (μήκος καλωδίου περίπου 1,6 μέτρα).
2. Χρησιμοποιώντας το πρότυπο τοποθέτησης, σημειώστε στον τοίχο τα 4 σημεία τοποθέτησης. Αν η τοποθεσία τοποθέτησης είναι πάνω από ένα υπάρχον μπουζόνι, δεν απαιτείται προετοιμασία. Αν η τοποθεσία τοποθέτησης είναι πάνω από μια γυψοσανίδα μόνο ή άλλη επιφάνεια που χρειάζεται πρόσθετη υποστήριξη, χρησιμοποιήστε ούπα.
3. [Μόνο χρήση ούπα] Για τη χρήση ούπα, ανοίξτε μια οπή 10mm στα σημεία οπών τοποθέτησης και τοποθετήστε τα ούπα στον τοίχο.
4. Τοποθετήστε τις πάνω 2 βίδες αφήνοντας περίπου 1/4" (6mm) από την κεφαλή της βίδας στο τοίχωμα. Μην τοποθετείτε βίδες παντού.
5. Κρεμάστε τη μονάδα στις βίδες που τοποθετήθηκαν στο προηγούμενο βήμα χρησιμοποιώντας τις πάνω οπές τοποθέτησης.
6. Ανοίξτε την μπροστινή πόρτα της μονάδας και εγκαταστήστε τις 2 κάτω βίδες στα κάτω σημεία τοποθέτησης.
7. Σφίξτε και τις 4 βίδες μέχρι τέρμα.
8. Τοποθετήστε τα (2) παρεχόμενα αυτοκόλλητα στις εσωτερικές πάνω θέσεις οπών τοποθέτησης για βέλτιστη απόδοση.
9. Αφαιρέστε το φίλτρο(α) από τη συσκευασία τους και τοποθετήστε τα στη μονάδα Σημείωση: Το αυτοκόλλητο "AeraMax Pro Certified Filter" στο φίλτρο πρέπει να είναι ευθυγραμμισμένο με το ίδιο αυτοκόλλητο που βρίσκεται στη μονάδα. Αν το φίλτρο δεν είναι εγκατεστημένο σωστά, η μονάδα δεν θα ενεργοποιηθεί.
10. Συνδέστε το καλώδιο τροφοδοσίας στην τυπική υποδοχή πρίζας.
11. Φτάστε πίσω από τη μονάδα στο πίσω κάτω μέρος δεξιά για πρόσβαση στο διακόπτη τροφοδοσίας και ενεργοποιήστε τον.

Σημείωση: Η χειροκίνητη κατάσταση δεν θα είναι διαθέσιμη για 1 λεπτό μετά την αρχική έναρξη λειτουργίας.

4 Σημεία τοποθέτησης



ΦΡΟΝΤΙΔΑ ΚΑΙ ΣΥΝΤΗΡΗΣΗ

ΚΑΘΑΡΙΣΜΟΣ:

- Καθαρίστε το εξωτερικό περίβλημα όπως απαιτείται σκουπίζοντας με ένα στεγνό, μαλακό πανί για λεκέδες, χρησιμοποιήστε ένα ζεστό, υγρό πανί.
- Μην χρησιμοποιείτε πτηνικά υγρά όπως π.χ. βενζίνη, αρωματικό χρώματος, σκόνη λείανσης ή άλλα καθαριστικά που μπορούν να καταστρέψουν την επιφάνεια της μονάδας.
- Καθαρίζετε τα ανοίγματα εισροής και εκροής σκουπίζοντάς τα με ένα στεγνό, μαλακό πανί.

ΑΝΤΙΚΑΤΑΣΤΑΣΗ ΦΙΛΤΡΟΥ:

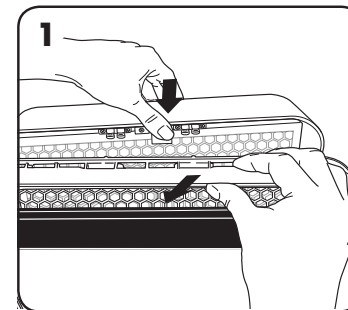
Οι ενδεικτικές λυχνίες αντικατάστασης φίλτρων θα ανάψουν όταν θα χρειαστεί αντικατάσταση του φίλτρου HEPA ή/και των φίλτρων άνθρακα. Η περίοδος αντικατάστασης ποικίλλει ανάλογα με τις ώρες χρήσης, την ποιότητα του αέρα και τον ρυθμό ροής αέρα. Ωστόσο, με την κανονική χρήση, τα περισσότερα φίλτρα HEPA χρειάζονται αντικατάσταση κάθε 1 έτος, τα φίλτρα άνθρακα κάθε 6 μήνες και τα υβριδικά φίλτρα με προφίλτρο κάθε 1 έτος. Όταν ένα φίλτρο χρειάζεται αντικατάσταση, θα εμφανιστεί το παρακάτω χρώμα σε μία από τις ενδεικτικές λυχνίες αντικατάστασης φίλτρου, HEPA ή ΑΝΘΡΑΚΑΣ:

Πορτοκαλί που αναβοσβήνει = φθορά φίλτρου 90% (συνιστάται η παραγγελία νέων φίλτρων)

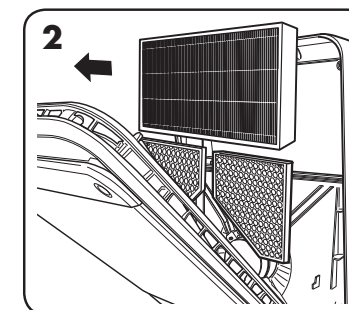
Κόκκινο = φθορά 100% (αντικατάσταση φίλτρων με νέα)

Μην πλένετε και μην επαναχρησιμοποιείτε κανένα φίλτρο - δεν θα λειτουργήσουν αποτελεσματικά. Χρησιμοποιείτε μόνο ανταλλακτικά φίλτρα της AeraMax® PRO, επειδή οι μονάδες δεν θα λειτουργήσουν με άλλα ανταλλακτικά φίλτρα.

ΔΙΑΔΙΚΑΣΙΑ ΑΝΤΙΚΑΤΑΣΤΑΣΗΣ ΦΙΛΤΡΟΥ:



1. Πατήστε την ασφάλεια πίνακα πρόσβασης ενώ τραβάτε τον πίνακα μπροστινής πρόσβασης.



2. Αφαιρέστε το παλιό φίλτρο(α). 3. Κατά την εισαγωγή νέων φίλτρων, φροντίστε να αφαιρέσετε την πλαστική σακούλα. Κατά την τοποθέτηση ενός υβριδικού φίλτρου, βεβαιωθείτε ότι το πράσινο προφίλτρο βρίσκεται πάνω από τη μαύρη πλευρά άνθρακα και εισαγάγετε αυτήν την πλευρά πρώτα με το λευκό HEPA να κοιτάει προς τα έξω. Κατά την εισαγωγή νέων φίλτρων υβριδικών ή HEPA, ευθυγραμμίστε τα αυτοκόλλητα AeraMax® PRO Certified Filter στο φίλτρο και το εσωτερικό της μονάδας. Τα βέλη πρέπει να δείχνουν προς το πίσω μέρος της μονάδας.

Αναφορά (5) στο τμήμα ΕΠΕΞΗΓΗΣΕΩΝ.

ΕΠΑΝΑΦΟΡΑ ΛΥΧΝΙΑΣ ΦΙΛΤΡΟΥ:

Κατά την εγκατάσταση ενός νέου φίλτρου, η μονάδα αυτόματα ανιχνεύει τον τύπο φίλτρου, ωστόσο, ο χρήστης θα πρέπει να επαναφέρει χειροκίνητα τις ενδεικτικές λυχνίες αντικατάστασης φίλτρων. Για να επαναφέρετε οποιαδήποτε από τις ενδεικτικές λυχνίες αντικατάστασης φίλτρου, πατήστε και κρατήστε πατημένο το κουμπί τύπου φίλτρου που αντικαταστάθηκε (HEPA ή Άνθρακας) έως ότου η λυχνία σβήσει. Επαναλάβετε για άλλους τύπους φίλτρου, αναλόγως των αναγκών. Κατά την αντικατάσταση του υβριδικού φίλτρου, επαναφέρετε και τις ενδεικτικές λυχνίες φίλτρου HEPA και της ενδεικτικές λυχνίες φίλτρου άνθρακα.

ΕΠΙΛΥΣΗ ΠΡΟΒΛΗΜΑΤΩΝ

ΠΡΟΒΛΗΜΑ:	ΠΙΘΑΝΗ ΛΥΣΗ:
Το σύστημα ελέγχου ποιότητας αέρα δεν ξεκινά.	<ul style="list-style-type: none"> • Βεβαιωθείτε ότι η μονάδα είναι συνδεδεμένη με την παροχή ρεύματος. • Βεβαιωθείτε ότι τα φίλτρα είναι γνήσια φίλτρα AeraMax® PRO, διαφορετικά, η μονάδα δεν θα λειτουργήσει με φίλτρα άλλης επωνυμίας. ΣΗΜΑΝΤΙΚΟ: Βεβαιωθείτε να ευθυγραμμίστε τα αυτοκόλλητα AeraMax PRO Certified στο φίλτρο και το εσωτερικό της μονάδας. Τα βέλη πρέπει να δείχνουν προς το πίσω μέρος της μονάδας. • Ανατρέξτε στην ενότητα σχετικά με μέθοδο αντικατάστασης φίλτρων για περισσότερες λεπτομέρειες. • Βεβαιωθείτε ότι ο μπροστινός πίνακας πρόσβασης είναι εντελώς κλειστός. • Βεβαιωθείτε ότι ο διακόπτης ισχύος είναι στην ανοικτή θέση.
Η μονάδα εκπέμπει έναν αδύναμο ήχο κτύπου.	<ul style="list-style-type: none"> • Αυτό υποδεικνύει ότι ο διπολικός ιονιστής "PlasmaTRUE™" λειτουργεί.
Η ενδεικτική λυχνία αντικατάστασης του φίλτρου HEPA ή/και του φίλτρου Άνθρακα παραμένουν αναμμένες μετά την αντικατάσταση του φίλτρου(ων).	<ul style="list-style-type: none"> • Επαναλάβετε τις οδηγίες επαναφοράς των λυχνιών των φίλτρων.

TÜRKÇE

AeraMax® PRO Ticari Sınıf Hava Temizleyici: AM II

GÜVENLİK TALİMATLARI/UYARILAR

AeraMax® PRO AM II ürünü satın aldığımız için teşekkür ederiz.

Lütfen bu talimatları okuyun ve saklayın. Ürünün çalıştırma veya bakım işlemlerinden önce dikkatle okuyun. Tüm güvenlik talimatlarına uyararak kendinizi ve diğer insanları koruyun. Bu talimatlara uymamak, yaralanmalara ve/veya maddi hasara neden olabilir. Gelecekte başvurmak üzere bu talimatları saklayın.

HAVA TEMİZLEYİCİNİN KULLANIMI İÇİN ÖNEMLİ UYARILAR VE TALİMATLAR:

UYARI: Elektrik çarpması, kısa devre ve/veya yangın riskini azaltmak için bu kılavuzdaki talimatlara uymanız gerekir:

- Hava temizleyiciyi zararlı kirleticilere karşı tek başına bir koruma önlemi olarak kullanmayın.
- Bu cihazı yalnızca üretim amacı doğrultusunda kullanın. Sorularınız olursa üretici ile irtibata geçin.
- Bu kılavuzda özellikle önerilmedikçe, cihazda onarım veya değişiklik yapmayın. Tüm onarımlar yetkili bir teknisyen tarafından yapılmalıdır.
- Fişi hiçbir koşulda değiştirmeyin. Fişi elektrik prizine takamazsanız ters çevirerek tekrar deneyin. Ters çevirdiğinizde de takamazsanız uygun bir priz takılması için yetkili bir teknisyene başvurun.
- Prizle bağlantısı gevşek görünüyorsa veya hasarlıysa, güç kablosunu veya prizi kullanmayın.
- Güç kablosuna zarar vermeyin, koparmayın, güç kullanarak bükmeyin, çekmeyin, döndürmeyin, sarmayın, kıstırmayın, üstünü kaplamayın, halı altından geçirmeyin, üzerine halı koymayın veya ağır eşyalar yerleştirmeyin.
- Güç fişindeki tozları düzenli olarak temizleyin. Tozun temizlenmesi, elektrik çarpması tehlikesini artıran nem birikimini azaltır.
- Cihazı temizlemeden önce fişi prizden çıkarın. Güç fişini çıkarırken hiçbir zaman kabloyu tutarak çekmeyin; fişin kendisini çekin.
- Kullanmadığınız zaman cihazın fişini prizden çıkarın.
- Güç fişine ıslak elle dokunmayın.
- Yalnızca kurulumu yapılan hava temizleyici modeli için belirtilen uygun elektrik gücünü (voltaj ve frekans) kullanın.
- Hava temizleyicinin hava girişini veya çıkışını tıkamayın.
- Filtreler takılı olmadan cihazı kullanmayın.
- Filtreleri yıkamayın veya yeniden kullanmayın.
- AeraMax® PRO markasından başka bağlantılar veya filtreler kullanmayın, aksi halde cihaz çalışmayacaktır.
- Cihazın üzerine veya içine aerosol püskürtmeyin.
- Temizlik ya da bakım öncesinde cihazın şebeke ile bağlantısı kesilmiş olmalıdır
- Cihazı temizlemek için deterjan kullanmayın.
- Parmaklarınızı, yabancı cisimleri veya herhangi bir sıvıyı hava girişine veya çıkışına sokmayın.
- Cihazı, hava temizleme dışında bir amaçla kullanmayın.
- Güç kablosu hasar görmüşse, tehlikelerden korunmak için kablonun üretici, servis temsilcisi veya benzer şekilde vasıflı personel tarafından değiştirilmesi gerekir
- Bu cihaz, 8 yaş ve üzeri çocuklar tarafından ve cihazın güvenli şekilde kullanımı ve mevcut tehlikelerin anlaşılmasıyla ilgili eğitim verilmişse veya denetleniyorsa düşük fiziksel, duyuşal veya zihinsel yetenekleri veya tecrübe ve bilgi eksikliği olan kişiler tarafından kullanılabilir. Çocuklar bu cihazla oynamamalıdır. Gözetim olmaksızın çocuklar tarafından temizlik ve bakım yapılmamalıdır.

Yalnızca Almanya'da.

- Yalnızca 2. Bölge dışında izin verilen alanda kullanın.
- Ünite, 30 mA'yı aşmayan nominal kaçak çalıştırma akım değerine sahip kaçak akım koruma cihazları (RCD'ler) ile kullanılmalıdır.

ÜRÜNÜN SINIRLI GARANTİSİ

Sınırlı Garanti: Fellowes, Inc. ("Fellowes"), AeraMax® PRO hava kalitesi kontrol sisteminin ("Ürün"), satın alınma tarihinden itibaren 3 yıl süreyle malzeme ve işçilik açısından kusursuz olacağını garanti eder. Ürünün yeni bir yapıya monte edilmesi durumunda, iskan izninin başladığı tarihte veya cihazın satın alınma tarihinden bir yıl sonra (hangisi daha erkense) başlar. Eğer garanti dönemi içinde herhangi bir parça kusurlu bulunursa, tek ve özel tazminatınız, seçme hakkı ve masrafları Fellowes'a ait olmak üzere, söz konusu parçanın onarılması veya değiştirilmesidir. Bu garanti, Fellowes onaylı olmayan filtrelerin kullanımı sonucu oluşan hasarları veya önerilen değişim takvimine uyulmamasından doğan arızaları kapsamaz. Bu garanti; kötü kullanım, yanlış kullanım, ürün kullanım standartlarına uyulmaması, cihazın yanlış (etiketinde belirtilenin dışında) güç kaynağı ile çalıştırılması veya yetkisiz kişilerce tamir edilmesi durumlarında uygulanmaz. Fellowes, Ürün'ün yetkili bir satıcı tarafından ilk olarak satıldığı ülkenin dışında parça veya servis sağlamak için maruz kaldığı ek masrafları tüketicilere borç kaydetme hakkını saklı tutar. Garanti, yedek filtreleri kapsamaz. Fellowes tarafından belirlenen servis personelinin Ürün'e erişimi sağlanamıyorsa Fellowes, bu garantinin koşullarını veya diğer servis zorunluluklarını tamamen karşılayacak şekilde müşteriye yedek parçaları veya Ürün'ün kendisini sağlama hakkını saklı tutar. SATILABİLİRLİK VE BELLİ BİR AMAÇA UYGUNLUK GARANTİLERİ DAHİL OLMAK ÜZERE, HER TÜRLÜ ZİMNİ GARANTİLERİN SÜRESİ, YUKARIDA BEYAN EDİLEN İLGİLİ GARANTİ DÖNEMİ İLE SINIRLIDIR. Fellowes, bu Ürün'ün kullanılması sonucunda oluşan kazara, dolaylı veya özel zararlardan hiçbir şekilde sorumlu değildir. Bu garanti size belirli yasal haklar verir. Bu garantinin süresi ve şartları, yerel yasaların gerektirebileceği sınırlamalar, kısıtlamalar veya şartlar haricinde tüm dünya genelinde geçerlidir.

PAKET İÇERİĞİ

- AeraMax® PRO Ticari Sınıf Hava Temizleyici
- 4,4 cm Hibrit Filtre (4,4 cm True HEPA ve 4,4 cm Aktif Karbon dahildir)
- Duvara montaj vidası (4) ve pullar (2)
- Alçıpan Kancaları
- Kayıt bilgileri
- Duvara Montaj Şablonu

TEKNİK ÖZELLİKLER

AeraMax® PRO AM II	
Boyutlar (Y x G x D)	57,4 x 35,6 x 10,2 cm
Sistemin Ağırlığı (filtreler dahil)	5,38 kg
Güç Gereksinimleri	220-240 volt, 50 Hz, 0,55 amper
Güç Tüketimi (5 fan hızı)	5, 8, 13, 41, 71 watt
Hava İletimi (5 fan hızı)	35, 43, 51, 64, 100 CFM*
Ses Düzeyi	45, 48, 51, 60, 64 dB
Ekran	Kapasitif Temas
Sensörler	EnviroSmart™
Sensör Kontrollü Çalışma Modları	2 birincil mod: Otomatik Mod ve Manuel Mod
Sağlanan Filtreler	(1) 4,4 cm Hibrit Filtre (4,4 cm True HEPA ve 4,4 cm Aktif Karbon dahildir), ortalama filtre ömrü: 1 yıl. (1) ön filtre, ortalama ömrü 3 ay.
Temizleme Sistemi	Hibrit filtre, hava ile taşınan 0,3 mikron parçacıklar için nominal verimliliği %99,97 olan Yüksek Oranda Verimli Parçacık Hava (HEPA) filtresi içerir. Karbon Filtre, kokuyu ve uçucu organik bileşenleri emer, PlasmaTRUE™ bipolar iyonlaştırıcı.
*CFM, hibrit filtre ile ve makine dikey konumdayken test edilmiştir.	

YEDEK FİLTRE

Karbon Güçlendiriciler	Ek tanecikli aktif karbon filtreleri. Ortalama filtre ömrü 6 ay: 9544402 - 2 set
4,4 cm True HEPA	AeraSafe™ işlem görmüş gerçek yedek HEPA filtresi. Ortalama filtre ömrü 2 yıl: 9544301 - 1 paket
4,4 cm Karbon	Karbon Tanecikli aktif yedek karbon filtresi. Ortalama filtre ömrü 1 yıl: 9544601 - 1 paket
4,4 cm Hibrit	Hibrit değiştirme filtreli 4,4 cm True HEPA ve 4,4 cm Karbon. Ortalama filtre ömrü 1 yıl: 9544501 - 1 paket

Yedek filtreler ve aksesuarlar hakkında daha fazla bilgi için www.aeramaxpro.com adresini ziyaret edebilirsiniz.



NOT: Manuel mod ilk çalıştırmanın ardından 1 dakika sonra kullanılabilir.

- 1 **HAVA KALİTESİ SENSÖRÜ** – Bu gösterge, hava kalitesini izler ve havanızı temiz tutmak için fan hızını ayarlar. Mavi renk, düşük miktarda; sarı renk, orta miktarda ve kırmızı renk, yüksek miktarda kirletici algılandığını belirtir.
- 2 **OTOMATİK MOD** – Seçmek için simge aydınlanana kadar düğmeyi basılı tutun. Bu modda hava kalitesi, hareket ve gürültü düzeyi takip edilerek, havanızı mümkün olduğunca çabuk temizlemek için fan hızı ayarlanır. Fanın beş hız ayarı vardır ve yüksek oranda kirletici mevcutsa, alanın havasını temizlemek için turbo hıza ulaşabilir. Bu simgenin çevresinde aydınlanan onay işareti sayısı fan hızını belirtir. Bu düğmenin SESSİZ MODU da vardır. Seçmek için düğme mora dönene kadar basılı tutun. Makine EnviroSmart™ kullanmaya devam eder, ancak 5 fan hızından sadece en düşük, en sessiz olan üçünü kullanır.
- 3 **MANUEL MOD** – Seçmek için simge aydınlanana kadar düğmeyi basılı tutun. Bu mod, beş fan hızından birini seçmenizi ve OTOMATİK MOD yeniden seçilene kadar ünitenin bu hızda çalışmasını sağlar. İç sensörler bu modda fan hızını ayarlamaz. OTOMATİK MOD simgesinin çevresinde aydınlanan onay işareti sayısı fan hızını belirtir.
- 4 **PlasmaTRUE™ TEKNOLOJİSİ** – Hava yoluyla taşınan kirletici maddeleri güvenli bir şekilde temizlemek için iyonize bir alan oluşturur. PlasmaTRUE™ TEKNOLOJİSİ işlevini açmak veya kapatmak için, PLAZMA göstergesine dokunun ve basılı tutun. PlasmaTRUE™ TEKNOLOJİSİ devreye alındığında mavi bir ışık yanar. PlasmaTRUE™ TEKNOLOJİSİ işlevini devre dışı bırakmak için, ışık sönünceye kadar "Plazma" göstergesine dokunun ve basılı tutun.
- 5 **KARBON FİLTRE DEĞİŞİM GÖSTERGESİ*** – Kırmızı ışık yanıyorsa değiştirilmesi gerekiyor demektir. Değişim periyodu kullanılan filtreye, kullanım süresine, hava kalitesine ve hava akışının hızına göre değişiklik gösterir. Filtre değişim göstergesi açıklamaları için FİLTRE DEĞİŞİMİ bölümüne bakın.
- 6 **HEPA FİLTRE DEĞİŞİM GÖSTERGESİ*** – Kırmızı ışık yanıyorsa filtrenin değiştirilmesi gerekiyor demektir. Değişim periyodu kullanılan filtreye, kullanım süresine, hava kalitesine ve hava akışının hızına göre değişiklik gösterir. Filtre değişim göstergesi açıklamaları için FİLTRE DEĞİŞİM GÖSTERGELERİ bölümüne bakın.

*Not - Hibrit filtre kullanılıyorsa hem HEPA hem de Carbon göstergeleri yanacaktır.

ÇALIŞTIRMA

Hava temizleyici sürekli olarak otomatik modda çalışır; Hava temizleyici odayı kirleticilerden temizlemek için beş farklı hız seviyesinde çalışır. Hava temizlendiğinde ve hiçbir sensör aktif durumda değilken, cihaz enerji tasarrufu moduna geçer ve filtrelerin ömrünü uzatmak adına güç tüketimini azaltır.

Manuel Mod seçildiğinde kontrol panelindeki Manuel göstergesi mavi renkte yanar. Bu mod, beş fan hızından birini seçmenizi ve Otomatik Mod yeniden seçilene kadar ünitenin bu hızda çalışmasını sağlar.

KURULUM

Ünite kurulumu öncesinde lütfen bu talimatları dikkatlice okuyun.

GÜVENLİK

UYARI:

Makineyi yerleştirirken priz konumunu göz önünde bulundurun (kablo uzunluğu yaklaşık 170 cm'dir).

Elektrik çarpması riskini ortadan kaldırmak için, kurulum işlerine başlamadan önce elektrik beslemesinin kesildiğinden veya gücün kapatıldığından emin olun.

Hiçbir elektrik kablosunun, tesisat borusunun veya kanalın doğrudan kurulum / delme alanının arkasında bulunmadığından emin olun.

Hava temizleyicinin mevcut bir dikme üzerine monte edilmesi için en az 2 montaj noktası kullanılması önemle tavsiye edilir. Kurulum için 2 kişi gerekir.

Ana Düzeneğin Monte Edilmesi Bölümünde yer alan talimatları izleyin.

KURULUM İÇİN GEREKLİ ALETLER

- Elektrikli matkap, matkap uçları (dahil değil)
- # 2 Yıldız ve # 2 Düz Başlı tornavida (dahil değil)
- Kablo rakorları (dahil değil)
- Su terazisi (dahil değil)
- Dikme algılayıcı

KURULUM İÇİN VERİLEN PARÇALAR

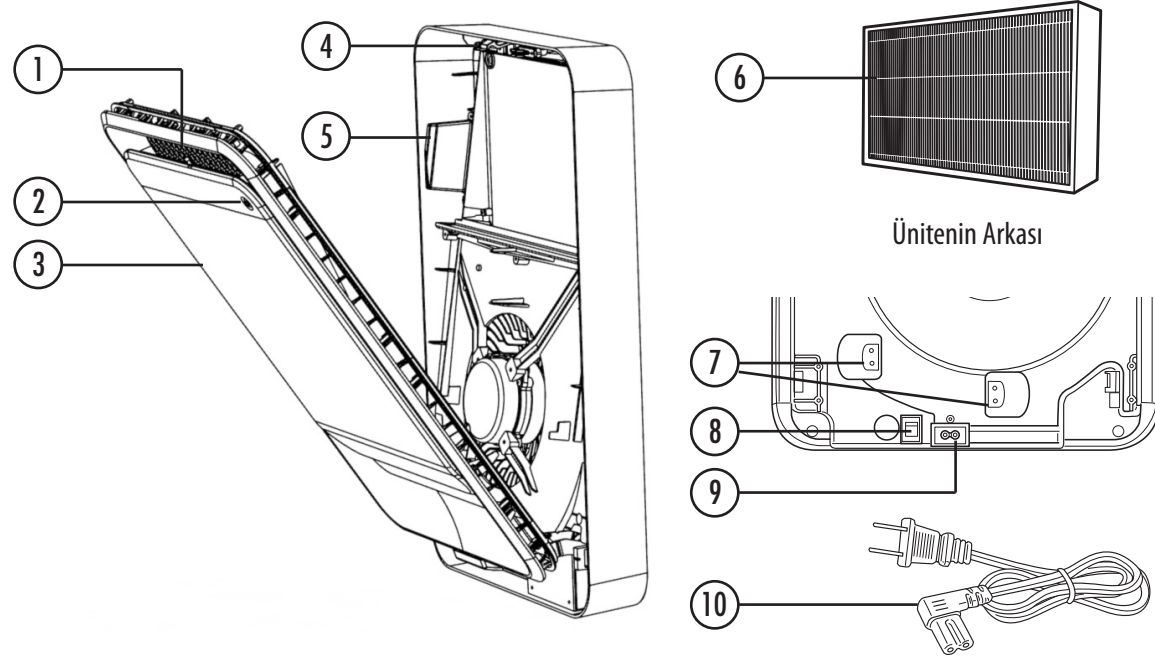
- Alçıpan Kancaları - 10 mm dış çap
- Düz Başlı Yıldız Vidalar

ÜRÜN KURULUM YÖNERGELERİ

Hava temizleyici yüksek bir konuma monte edilecekse, filtre değişimine olanak tanımak amacıyla, cihazın üst kenarının tavandan en az 21 cm (8 inç) aşağıda konumlandırıldığından emin olun.

ANAHTAR

1. Kumanda Paneli
2. Hareket Sensörü
3. Ön Erişim Paneli
4. Erişim Paneli Mandalı
5. Sertifikalı Filtre Etiketi
6. Ö filtreli hibrit filtre
7. Kablo Yönetimi
8. Açma/Kapatma Düğmesi
9. Güç Kablosu Yuvası
10. IEC Fiş



KURULUM - Referans ANAHTAR bölümü

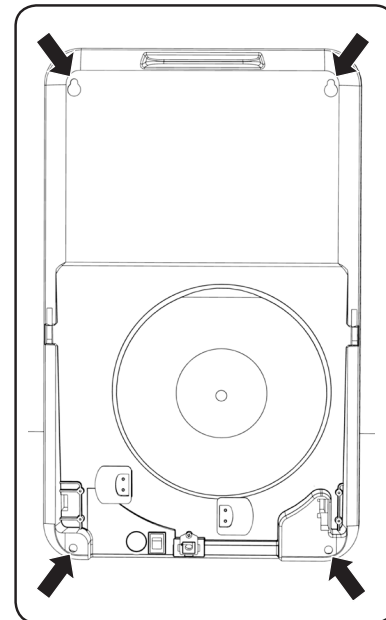
1. Erişim paneli mandalını (4) aşağı bastırırken ön erişim panelini kendinize doğru çekerek üniteyi açın.
2. Torbayı filtreden ayırın ve ünitenin içine yerleştirin.
3. IEC Fişini (10) ünitenin arkasındaki güç kablosu yuvasına (9) takın.

ANA DÜZENEGİN MONTE EDİLMESİ

1. Üniteyi monte etmek için standart bir priz yakınlarında bir alan belirleyin (Kablo uzunluğu yaklaşık 1,6 metredir).
2. Montaj şablonunu kullanarak 4 montaj yeri için duvarı işaretleyin. Montaj alanı mevcut bir dikmenin üzerindeyse hazırlık yapmak gerekli değildir. Montaj konumu yalnızca alçıpan ya da ek destek gerektiren bir yüzey üzerindeyse kanca kullanın.
3. [Yalnızca kanca kullanılırken] Kancaları kullanmak için, montaj deliği konumlarında matkapla 10mm'lik delikler açın ve kancaları duvara yerleştirin.
4. Vidanın baş kısmıyla duvar arasında yaklaşık 6 mm mesafe bırakarak 2 üst vida yerleştirin. Vidaları sonuna kadar yerleştirmeyin.
5. Üst anahtar deliği montaj deliklerini kullanarak önceki adımda yerleştirilen vidalara üniteyi asın.
6. Ünitenin ön kapısını açın ve 2 alt vidayı alt montaj yerlerine yerleştirin.
7. 4 vidayı da gömülünceye kadar sıkın.
8. Performansı en üst düzeye çıkarmak için sağlanan (2) çıkartmayı iç kısımdaki montaj deliği yerlerinin üst kısmına yapıştırın.
9. Filtreleri ambalajlarından çıkarın ve üniteye yerleştirin. Not: Filtre üzerindeki "AeraMax Pro Sertifikalı Filtre Etiketi" ünite üzerinde bulunan aynı etiket ile hizalanmalıdır. Filtre düzgün yerleştirilmezse ünite çalışmaz.
10. Güç kablosunu standart prize takın.
11. Açma/kapatma düğmesine erişmek için ünitenin arkasında sağ alt bölüme erişin ve üniteyi açın.

Not: Manuel mod ilk çalıştırmanın ardından 1 dakika sonra kullanılabilir.

4 Montaj Konumu



BAKIM

TEMİZLİK:

- Dış kasasını kuru, yumuşak bir bezle silerek temizleyin; lekeler için ılık, nemli bir bez kullanın.
- Benzen ve tiner gibi uçucu maddeleri, aşındırıcı temizlik tozlarını veya cihaz yüzeyine hasar verebilecek diğer temizleyicileri kullanmayın.
- Giriş ve çıkış menfezlerini kuru, yumuşak bir bezle silerek temizleyin.

FİLTRE DEĞİŞİMİ:

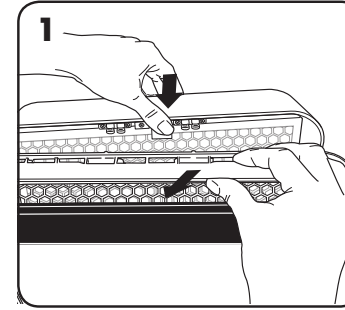
HEPA Filtre ve/veya Karbon filtrelerin Değişim zamanı geldiğinde, değişim filtresi göstergeleri sinyal verecektir. Değişim periyodu kullanım süresine, hava kalitesine ve hava akışının hızına göre değişiklik gösterir. Bununla birlikte normal kullanım koşulları altında çoğu HEPA filtresinin yılda bir Karbon filtresinin 6 ayda bir ve Hibrit filtrenin ise yılda bir değiştirilmesi gerekir. Filtre değiştirileceği zaman HEPA ya da CARBON filtre değişim göstergelerindeki ışık aşağıdaki şekillerde yanar:

Sarı yanıp sönüyor = Filtre %90 oranında eskimiş (yeni filtre sipariş etmeniz önerilir)

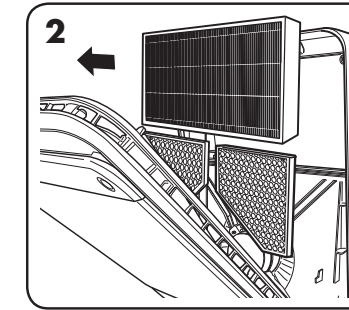
Kırmızı yanıyor = Filtre %100 oranında eskimiş (filtreyi yenisiyle değiştirin)

Filtreleri yıkayıp yeniden kullanmayın, aksi halde verimli şekilde çalışmayacaktır. Birimler diğer yedek filtrelerle çalışmayacağı için yalnızca AeraMax® PRO marka yedek filtre kullanın.

FİLTRE DEĞİŞİM PROSEDÜRÜ:

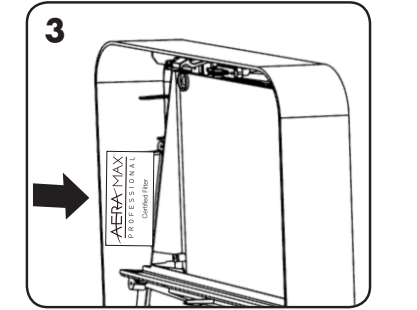


1. Erişim paneli mandalını aşağı bastırırken ön erişim panelini kendinize doğru çekin.



2. Eski filtreyi/filtreleri çıkarın. 3. Yeni filtre yerleştirirken plastik torbayı çıkarmayı unutmayın. Hibrit filtreyi takarken yeşil ön filtrenin siyah karbon taraf üzerinde olduğundan emin olun ve beyaz HEPA yukarı bakarken bu tarafı önce takın. Yeni Hibrit ya da HEPA filtresi yerleştirirken, filtre üzerindeki ve ünitenin içindeki AeraMax® PRO Sertifikalı Filtre etiketlerini hizalayın. Ok, ünitenin arka kısmını göstermelidir.

ANAHTAR bölümünde referans olarak (5) numaraya bakın.



FİLTRE İŞİĞİNİ SIFIRLAMA:

Yeni bir filtre takarken, cihaz filtre tipini otomatik olarak algılar, fakat kullanıcının filtre değişim göstergelerini elle sıfırlaması gerekir. Filtre değiştirme göstergelerini sıfırlamak için, ışık söne kadar değiştirilen filtre türü düğmesini (HEPA ya da Carbon) basılı tutun. Gerekliyse diğer filtre türleri için işlemi tekrar edin. Hibrit filtre değiştirilirken hem HEPA hem de Carbon göstergeleri ışıklarını sıfırlayın.

ARIZA GİDERME

SORUN:	OLASI ÇÖZÜM:
Hava kalitesi kontrol sistemi çalışmıyor.	<ul style="list-style-type: none">• Cihazın elektrik şebekesine bağlı olduğunu kontrol edin.• Filtrelerin orijinal AeraMax® PRO filtre olduğundan emin olun; cihaz diğer markaların filtreleriyle çalışmaz. ÖNEMLİ: Filtre üzerindeki AeraMax PRO Sertifikalı Etiketlerle ünitenin içindeki etiketlerin hizalandığından emin olun. Oklar, ünitenin arka kısmını göstermelidir.• Ayarlılar için Filtre Değişim Yöntemi bölümünü inceleyin.• Ön erişim panelinin tamamen kapalı olduğundan emin olun.• Açma/kapatma anahtarının açık konumda olduğundan emin olun.
Cihaz hafif bir tıkırdama sesi çıkarıyor.	<ul style="list-style-type: none">• Bu durum, "PlasmaTRUE™" bipolar iyonlaştırıcının çalıştığını gösterir.
HEPA ve/veya Karbon Filtresi değişim göstergesi, filtreleri değiştirdikten sonra sönmüyor.	<ul style="list-style-type: none">• Filtre ışığı sıfırlama talimatlarını tekrarlayın.

BEZPEČNOSTNÍ POKYNY/VAROVÁNÍ

Děkujeme, že jste zakoupili systém AeraMax® PRO AM II.

Tyto pokyny si přečtěte a uschovejte. Před zahájením provozu či údržby tohoto výrobku si důkladně přečtěte tyto pokyny. Chraňte sami sebe a ostatní dodržováním všech bezpečnostních pokynů. Nedodržení těchto pokynů může mít za následek úraz nebo škody na majetku. Uchovejte tyto pokyny pro budoucí použití.

DŮLEŽITÁ UPOZORNĚNÍ A POKYNY PRO ČISTIČ VZDUCHU:

UPOZORNĚNÍ: Dodržováním pokynů uvedených v této příručce snížíte riziko úrazu elektrickým proudem, zkratu nebo požáru:

- Nepoužívejte tento čistič vzduchu jako jedinou ochranu proti škodlivinám.
- Používejte toto zařízení pouze způsobem určeným výrobcem. V případě dotazů kontaktujte výrobce.
- Jednotku neopravujte ani neupravujte, pokud tak není konkrétně doporučeno v této příručce. Veškeré opravy by měly být prováděny kvalifikovaným technikem.
- Zástrčku nijak neměňte. Pokud zástrčku do zásuvky nelze zasunout, otočte ji. Pokud do zásuvky stále nepasuje, požádejte kvalifikovaného technika, aby namontoval vhodnou zásuvku.
- Zařízení nepoužívejte, pokud jsou napájecí kabel nebo zástrčka poškozené, nebo je-li připojení do zásuvky uvolněné.
- Napájecí kabel nepoškozujte, nelámejte, silou neohýbejte, netahejte za něj, nekrutěte jím, nesvazujte jej, neobalujte, nemačkejte ani na něj neumísťte těžké předměty.
- Ze zástrčky napájecího kabelu pravidelně odstraňujte prach. Sníží se tak šance nashromáždění vlhkosti, která zvyšuje riziko zasažení elektrickým proudem.
- Než začnete jednotku čistit, vyjměte zástrčku napájecího kabelu ze zásuvky. Při vyjímání zástrčky napájecího kabelu ze zásuvky netahejte za kabel, ale uchopte zástrčku.
- Není-li jednotka v provozu, vyjměte zástrčku napájecího kabelu ze zásuvky.
- Se zástrčkou napájecího kabelu nemanipulujte mokřima rukama.
- Používejte pouze takové napájení (napětí a frekvenci), které je specifikované pro instalovaný model čističe vzduchu.
- Nezakrývejte vstup a výstup vzduchu.
- Nepoužívejte zařízení bez nainstalovaných filtrů.
- Filtry neomyvejte ani opakovaně nepoužívejte.
- Nepoužívejte filtry či příslušenství jiné značky než AeraMax® PRO, protože zařízení by přestalo fungovat.
- Nestříkejte na jednotku nebo do jednotky žádné aerosoly.
- Spotřebič musí být před čištěním nebo jinou údržbou odpojen od síťového napájení.
- K čištění jednotky nepoužívejte saponáty.
- Nevkládejte prsty, kapaliny nebo jiné cizí předměty do vstupu či výstupu vzduchu.
- Nepoužívejte zařízení k ničemu jinému než k čištění vzduchu.
- Poškozený napájecí kabel musí vyměnit výrobce, jeho servisní technik nebo jiná podobně kvalifikovaná osoba, aby nedošlo ke vzniku nebezpečných situací.
- Toto zařízení mohou používat děti starší 8 let a osoby se sníženými fyzickými, smyslovými či mentálními schopnostmi nebo s nedostatkem zkušeností a znalostí za předpokladu, že budou zařízení používat pod dozorem nebo že budou poučeni o jeho bezpečném používání a rozumí rizikům, která jsou s touto činností spojena. Se zařízením si nesmějí hrát děti. Děti bez dozoru nesmějí zařízení čistit ani provádět uživatelskou údržbu.

Pouze v Německu.

- Použití je dovoleno jen mimo zónu 2.
- Zařízení musí být používáno s proudovými chrániči se jmenovitým zbytkovým vybavovacím proudem, který nepřesáhne 30 mA.

OMEZENÁ ZÁRUKA NA VÝROBEK

Omezená záruka: Společnost Fellowes, Inc. („Fellowes“) zaručuje, že systém řízení kvality vzduchu AeraMax® PRO („výrobek“) bude bez závad na materiálu a provedení po dobu 3 let od data zakoupení. Pokud je produkt nainstalován v novostavbě, začne záruční doba platit dnem vydání povolení k obývání nebo jeden rok od data zakoupení, podle toho, které datum nastane dříve. Pokud se v průběhu záruční doby ukáže jakákoliv část jako vadná, bude vaše jediná a vylučná forma nápravy oprava nebo výměna vadné části podle volby a na náklady společnosti Fellowes. Tato záruka se nevztahuje na škody způsobené používáním jiných filtrů než filtrů schválených společností Fellowes nebo nedodržením doporučeného harmonogramu výměn. Tato záruka se nevztahuje na případy špatného zacházení se zařízením, na jeho chybný provoz, nedodržení norem pro jeho používání, provoz zařízení s nesprávným napětím (jiným, než je uvedeno na štítku) nebo na neoprávněné opravy. Společnost Fellowes si vyhrazuje právo účtovat zákazníkům dodatečné náklady spojené s dodávkou náhradních dílů nebo servisu mimo zemi, v níž autorizovaný prodejce původně zařízení prodal. Tato záruka se nevztahuje na výměnné filtry. Pokud by tento produkt nebyl snadno přístupný určeným servisním pracovníkům společnosti Fellowes, vyhrazuje si společnost Fellowes právo dodat zákazníkovi náhradní díly nebo produkt s tím, že se bude jednat o úplné splnění závazků plynoucích z této záruky a všech servisních závazků. JAKÁKOLI PŘEDPOKLÁDANÁ ZÁRUKA, VČETNĚ ZÁRUKY PRODEJNOSTI NEBO VHODNOSTI PRO URČITÝ ÚČEL, JE TÍMTO ČASOVĚ OMEZENÁ NA VÝŠE UVEDENOU ZÁRUČNÍ DOBU. Společnost Fellowes nebude v žádném případě zodpovědná za jakékoli následné, náhodné, nepřímé či speciální škody. Tato záruka vám přiznává určená zákonná práva. Doba trvání, náležitosti a podmínky týkající se této záruky platí celosvětově, kromě případů, kde místní zákony ukládají odlišná omezení, výhrady nebo podmínky.

OBSAH BALENÍ

- Komerční čistič vzduchu AeraMax® PRO
- 4,4 cm hybridní filtr (obsahuje 4,4 cm filtr True HEPA a 4,4 cm filtr s aktivním uhlím)
- Šrouby pro montáž na zeď (4) a podložky (2)
- Kotvy pro sádrokarton
- Registrační informace
- Montážní šablona na zeď

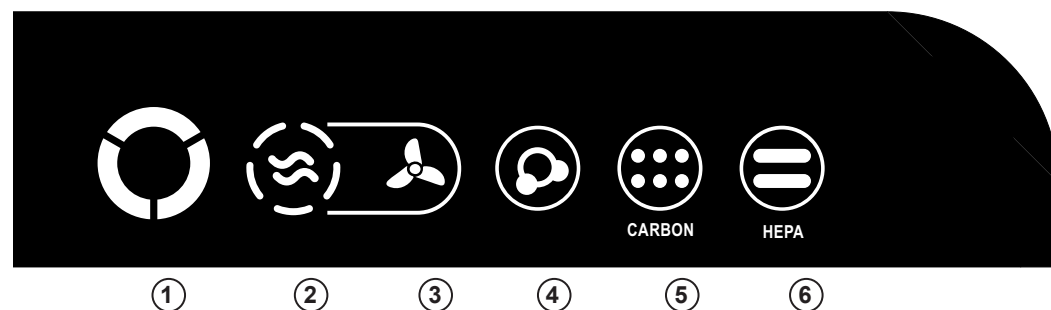
SPECIFIKACE PRODUKTU

AeraMax® PRO AM II	
Rozměry (V x Š x H)	57,4 x 35,6 x 10,2 cm
Hmotnost systému (včetně filtrů)	5,38 kg
Požadavky na napájení	220-240 V, 50 Hz, 0,55 A
Příkon (5 rychlostí ventilátoru)	5, 8, 13, 41, 71 W
Dodávka vzduchu (5 rychlostí ventilátoru)	60, 73, 87, 109, 170 m ³ /h*
Hlučnost	45, 48, 51, 60, 64 dB
Displej	Kapacitní dotykový
Snímače	EnviroSmart™
Snímačem řízené provozní režimy	2 primární režimy - automatický režim a manuální režim
Dodané filtry	(1) 4,4 cm hybridní filtr (obsahuje 4,4 cm filtr True HEPA a 4,4 cm filtr s aktivním uhlím) s očekávanou průměrnou životností filtru 1 rok. (1) vstupní filtr, předpokládaná životnost 3 měsíce.
Čisticí systém	Hybridní filtr obsahuje vysoce účinný filtr vzduchových částic (HEPA) se jmenovitou účinností 99,97 % pro zachycení částic nad 0,3 μm. Uhlíkový filtr pohlcuje zápach a těkavé organické sloučeniny, bipolární ionizátor PlasmaTRUE™.
*Průtok v m ³ /h testován s hybridním filtrem a ve svislé orientaci.	

VÝMĚNA FILTRŮ

Přídavný uhlíkový filtr	Přídavné filtry s aktivním granulovaným uhlím. Průměrná životnost filtru je 6 měsíců: 9544402 – 2 sady
4,4 cm filtr True HEPA	Náhradní filtr True HEPA s úpravou AeraSafe™. Průměrná životnost filtru je 2 roky: 9544301 – 1 v balení
4,4 cm uhlíkový filtr	Náhradní filtr s aktivním granulovaným uhlím. Průměrná životnost filtru je 1 rok: 9544601 – 1 v balení
4,4 cm hybridní	4,4 cm filtr True HEPA a 4,4 cm uhlíkový filtr s náhradním hybridním filtrem. Průměrná životnost filtru je 1 rok: 9544501 – 1 v balení

Informace o dalších náhradních filtrech a příslušenství naleznete na webu: www.aeramaxpro.com



POZNÁMKA: Při prvním spuštění nebude manuální režim 1 minutu dostupný.

- 1 **SENZOR KVALITY VZDUCHU** – Tato kontrolka sleduje kvalitu vzduchu a upravuje otáčky ventilátoru tak, aby kvalita vašeho vzduchu byla zachována. Modrá indikuje nízkou hladinu detekovaných nečistot, oranžová indikuje střední hladinu a červená vysokou hladinu nečistot.
- 2 **AUTOMATICKÝ REŽIM** – Vyberete stisknutím a přidržením tohoto tlačítka, dokud se ikona nerozsvítí. Tento režim sleduje kvalitu vzduchu, hladinu pohybu a hluku a upravuje rychlost ventilátoru tak, aby proběhlo co nejrychlejší vyčištění vzduchu. Ventilátor má 5 rychlostí a v případě vysokých hladin nečistot je schopen dosáhnout vysoké rychlosti. Počet značek rozsvícených kolem této ikony indikuje rychlost ventilátoru. Toto tlačítko rovněž zahrnuje TICHÝ REŽIM. Chcete-li tento režim vybrat, tlačítko stiskněte a podržte, dokud se nezbarví fialově. Přístroj bude nadále používat technologii EnviroSmart™, ale bude využívat pouze 3 nejpomalejší a nejnižší otáčky ventilátoru z celkových 5 rychlostí.
- 3 **MANUÁLNÍ REŽIM** – Vyberete stisknutím a přidržením tohoto tlačítka, dokud se ikona nerozsvítí. Tento režim vám umožní vybrat jednu z 5 rychlostí ventilátoru a zachovat rychlost čističe vzduchu, dokud nebude znovu vybrán AUTOMATICKÝ REŽIM. V tomto režimu nebude rychlost ventilátoru regulována interními senzory. Počet značek rozsvícených kolem ikony AUTOMATICKÉHO REŽIMU indikuje rychlost ventilátoru.
- 4 **Funkce PlasmaTRUE™ TECHNOLOGY** – vytváří ionizované pole, které napomáhá bezpečnému odstraňování nečistot ze vzduchu. Funkci PlasmaTRUE™ TECHNOLOGY můžete zapnout nebo vypnout stisknutím a podržením kontrolky PLASMA. Když je funkce PlasmaTRUE™ TECHNOLOGY aktivovaná, rozsvítí se modrá kontrolka. Chcete-li funkci PlasmaTRUE™ TECHNOLOGY vypnout, stiskněte a podržte kontrolku „Plasma“, dokud kontrolka nezhasne.
- 5 **KONTROLKA VÝMĚNY UHLÍKOVÉHO FILTRU*** – Pokud svítí červeně, je nutné filtr vyměnit. Interval výměny se liší podle použitého filtru, doby používání, kvality vzduchu a průtoku vzduchu. Popis kontrolky výměny filtru najdete v části VÝMĚNA FILTRU.
- 6 **KONTROLKA VÝMĚNY HEPA FILTRU*** – Pokud svítí červeně, je nutné filtr vyměnit. Interval výměny se liší podle použitého filtru, doby používání, kvality vzduchu a průtoku vzduchu. Popis kontrolky výměny filtru najdete v části KONTROLKY VÝMĚNY FILTRŮ.

*Poznámka - pokud je používán hybridní filtr, svítí kontrolky uhlíkového filtru i HEPA filtru.

OBSLUHA

Čistič vzduchu funguje v automatickém režimu nepřerušovaně; Pro vyčištění vzduchu v místnosti bude čistič vzduchu fungovat s 5 stupni rychlosti. Po vyčištění vzduchu, a v situaci, kdy nejsou aktivované žádné senzory, se otáčky zařízení zpomalí do úsporného režimu, který šetří energii a prodlužuje životnost filtrů.

Když je zvolený manuální režim, bude na řídicím panelu svítit kontrolka manuálního režimu modře. Tento režim vám umožní vybrat jednu z 5 rychlostí ventilátoru a zachovat tuto rychlost, dokud nebude znovu vybrán automatický režim.

INSTALACE

Před zahájením instalace zařízení si pozorně přečtěte tyto pokyny.

BEZPEČNOST

UPOZORNĚNÍ:

Dbejte na umístění stroje s ohledem na elektrickou zásuvku (délka kabelu cca 1,6 m).

Před zahájením instalace zkontrolujte, jestli je odpojeno elektrické napájení nebo jestli je zařízení vypnuto - předejdete tak možnému úrazu elektrickým proudem.

Zkontrolujte, jestli se za místem instalace a za místem, kde budete provádět vrtání, nenachází žádné elektrické vedení nebo potrubní či vzduchotechnické systémy.

Zdůrazňujeme, že doporučujeme minimálně 2 montážní body pro montáž čističe vzduchu na stávající nosnou konstrukci. Montáž vyžaduje 2 osoby.

Řiďte se pokyny v části Montáž hlavní konstrukční skupiny

NÁSTROJE DOPORUČENÉ PRO INSTALACI

- Elektrická vrtačka, vrtáky (nejsou součástí dodávky)
- Křížový šroubovák č. 2 a plochý šroubovák č. 2 (nejsou součástí dodávky)
- Matice k našroubování na konce vodičů (nejsou součástí dodávky)
- Vodováha (není součástí dodávky)
- Podpovrchový vyhledávač

SOUČÁSTI POTŘEBNÉ PRO INSTALACI

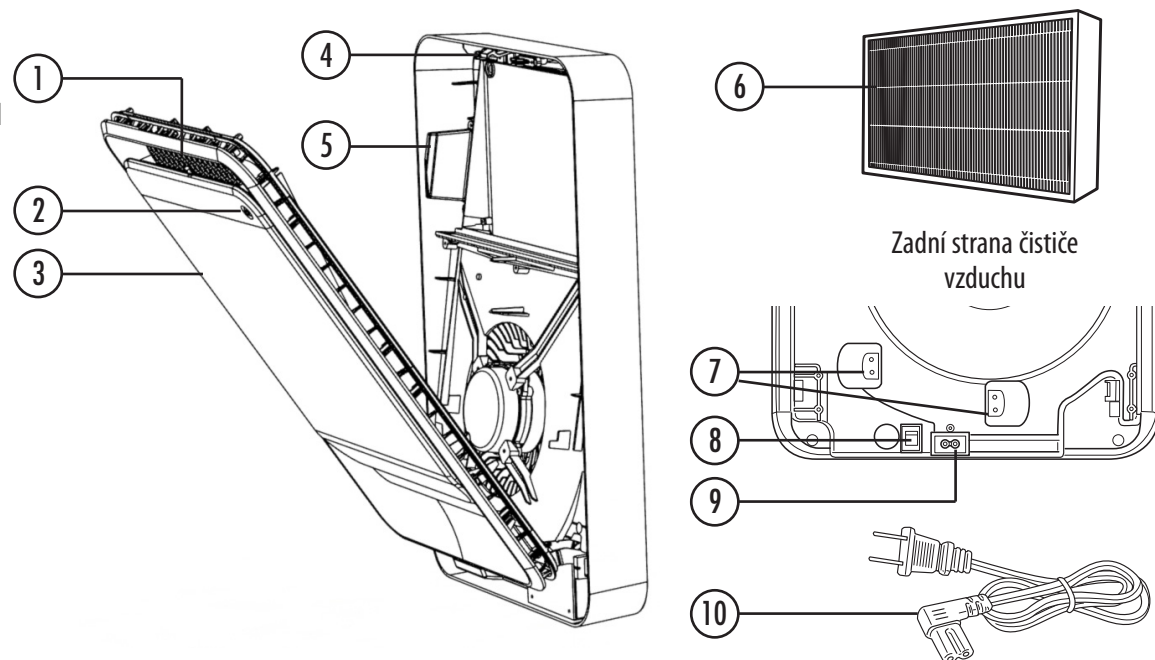
- Kotvy do sádkartonu - vnější průměr 10 mm
- Křížové šrouby s kónickou hlavou

POKYNY K INSTALACI PRODUKTU

Pokud montujete čistič vzduchu vysoko na zeď, musí se horní okraj zařízení nacházet minimálně 21 cm pod stropem, aby bylo možné provádět výměnu filtrů.

TLAČÍTKO

1. Řídicí panel
2. Senzor pohybu
3. Přední přístupový panel
4. Západka přístupového panelu
5. Certifikační štítek filtru
6. Hybridní filtr se vstupním filtrem
7. Úchyty pro navinutí kabelu
8. Vypínač
9. Zásuvka pro síťový kabel
10. Vidlice IEC



PŘÍPRAVA - část Reference k LEGENDĚ

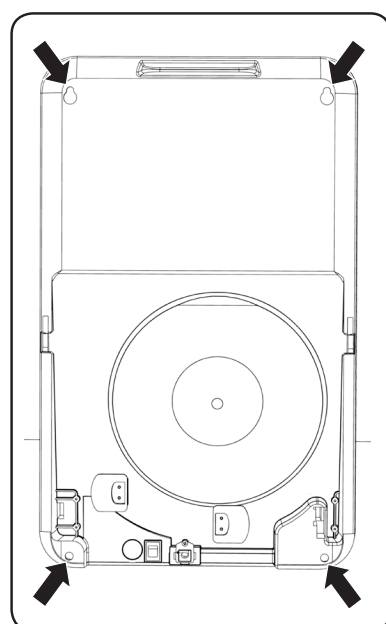
1. Pro otevření čističe vzduchu zatlačte západku přístupového panelu (4) dolů a současně přitahujte čelní přístupový panel k sobě.
2. Odstraňte z filtru sáček a vložte filtr zpět do čističe vzduchu.
3. Zasuňte vidlici IEC (10) do zásuvky pro síťový kabel (9) na zadní straně čističe vzduchu.

MONTÁŽ HLAVNÍ KONSTRUKČNÍ SKUPINY

1. Vyberte prostor k montáži čističe vzduchu poblíž standardní síťové zásuvky (délka kabelu cca 1,6 metru).
2. Přiložte montážní šablonu a označte na zdi čtyři montážní místa. Pokud je montážní místo na stávající nosné konstrukci, žádná příprava není potřebná. Pokud je montážní místo jen na sádkokartonu nebo jiném povrchu vyžadujícím ještě jeden nosník, použijte kotvy.
3. [Jen při použití kotev] Pro použití kotev vyvrtejte 10mm otvor do místa (míst) montážního otvoru a nainstalujte kotvy do zdi.
4. Dva horní šrouby zašroubujte tak, aby od hlavy šroubu ke zdi byla ponechána vzdálenost cca 1/4" (6 mm). Nezašroubujte šrouby úplně.
5. Zavěste čistič vzduchu na šrouby našroubované v předchozím kroku a použijte k tomu horní výřezy v montážních otvorech.
6. Otevřete přední dvířka zařízení a zašroubujte dva dolní šrouby na montážní místa ve spodní části.
7. Utáhněte všechny čtyři šrouby nadoraz.
8. Pro nejlepší provedení práce umístěte (2) dodané štítky na otvory ve vnitřních horních montážních místech.
9. Vyměňte filtr (filtry) z obalu a namontujte jej do čističe vzduchu. Poznámka: Certifikační štítek filtru „AeraMax Pro“ na filtru musí být vyrovnán se stejným štítkem na čističi vzduchu. Pokud není filtr správně namontován, nelze napájení čističe vzduchu zapnout.
10. Připojte síťový kabel do standardní síťové zásuvky.
11. Zapněte čistič vzduchu síťovým vypínačem umístěným vpravo dole na zadní straně čističe vzduchu.

Poznámka: Při prvním spuštění nebude manuální režim 1 minutu dostupný.

4 montážní místa



PÉČE A ÚDRŽBA

ČIŠTĚNÍ:

- Vstupní a výstupní otvory čistěte otřením suchým, měkkým hadříkem; na skvrny použijte teplý navlhčený hadřík.
- Nepoužívejte těkavé kapaliny, jako je benzen, ředidla, brusné pasty či jiné čisticí prostředky, které by mohly poškodit povrch zařízení.
- Vstupní a výstupní otvory čistěte otřením suchým, měkkým hadříkem.

VÝMĚNA FILTRU:

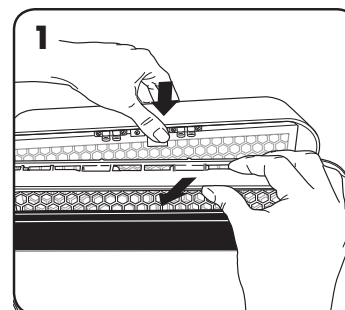
Kontrolky výměny filtru signalizují, když je třeba vyměnit filtr HEPA nebo uhlíkový filtr. Interval výměny se liší podle doby používání, kvality vzduchu a průtoku vzduchu. Při běžném používání je však nutné vyměnit většinu filtrů HEPA každý rok, uhlíkový filtr každých šest měsíců a hybridní filtr každý rok. Pokud je nutné vyměnit nějaký filtr, rozsvítí se kontrolka výměny filtru HEPA nebo kontrolka uhlíkového filtru následujícím způsobem:

Bliká žlutě = 90% opotřebení filtru (doporučeno objednat nové filtry)

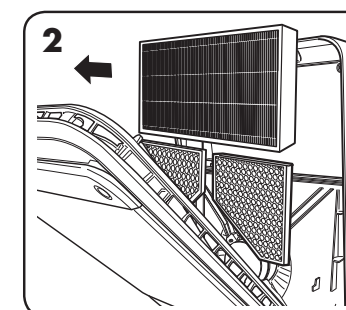
Svítil červeně = 100% opotřebení filtru (nahraďte novými filtry)

Filtry neomyvejte ani znovu nepoužívejte - nebudou účinné. Používejte výhradně náhradní filtry značky AeraMax® PRO, protože zařízení nebude fungovat s žádnými jinými náhradními filtry.

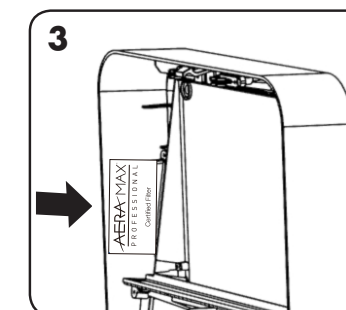
POSTUP VÝMĚNY FILTRU:



1. Západku přístupového panelu zatlačte dolů a současně přitahujte čelní panel k sobě.



2. Vyměňte starý filtr (filtry). 3. Když vkládáte nové filtry, nezapomeňte odstranit plastový sáček. Při vkládání hybridního filtru se ujistěte, že zelený vstupní filtr je nad černou uhlíkovou stranou a vložte nejdříve tuto stranu s bílou HEPA směrem ven. Při vkládání nového hybridního filtru nebo HEPA filtru vyrovnajte certifikační štítek filtru AeraMax® PRO na filtru se štítkem uvnitř čističe vzduchu. Šipka musí směřovat k zadní straně čističe vzduchu. Reference (5) v části LEGENDA.



RESET KONTROLEK FILTRŮ:

Po nainstalování nového filtru zařízení automaticky zjistí typ filtru, ale uživatel musí ručně resetovat kontrolky výměny filtru. Pro resetování kontrolky filtrů stiskněte a přidržte tlačítko typu filtru, který byl vyměněn (HEPA nebo uhlíkový), dokud světlo nezhasne. Opakujte dle potřeby pro filtry jiných typů. Když vyměňujete hybridní filtr, resetujte světlo kontrolky filtru HEPA i kontrolky uhlíkového filtru.

ODSTRAŇOVÁNÍ PORUCH

PROBLÉM:	MOŽNÉ ŘEŠENÍ:
Systém řízení kvality vzduchu se nespustí.	<ul style="list-style-type: none"> • Zkontrolujte, jestli je zařízení připojeno ke zdroji napájení. • Zkontrolujte, jestli jsou nainstalovány originální filtry AeraMax® PRO, protože zařízení nebude fungovat s filtry jiných značek. DŮLEŽITÉ: Dbejte na to, aby byl certifikační štítek AeraMax PRO na filtru vyrovnán se štítkem uvnitř čističe vzduchu. Šipky musí směřovat k zadní straně čističe vzduchu. • Další podrobnosti naleznete v části Způsob výměny filtrů. • Zkontrolujte, jestli je přední přístupový panel zcela uzavřený. • Přesvědčte se, že je tlačítko napájení zapnuté.
Zařízení vydává slabý zvuk podobný tikání.	<ul style="list-style-type: none"> • Znamená to, že pracuje bipolární ionizátor „PlasmaTRUE™“.
Po výměně filtru zůstane rozsvícená kontrolka výměny filtru HEPA nebo uhlíkového filtru.	<ul style="list-style-type: none"> • Zopakujte postup resetování kontrolky filtru.

SLOVENČINA

AeraMax® PRO – priemyselný čistič vzduchu: AM II

BEZPEČNOSTNÉ POKYNY/UPOZORNENIE

Ďakujeme vám za zakúpenie systému kontroly kvality vzduchu AeraMax® PRO AM II.

Tieto pokyny si prečítajte a odložte. Pred používaním alebo vykonávaním údržby tohto výrobku si tieto pokyny pozorne prečítajte. Chráňte seba i ostatných dodržiavaním všetkých bezpečnostných pokynov. Nedodržanie pokynov môže mať za následok zranenie alebo škodu na majetku. Tieto pokyny si odložte na budúce použitie.

DÔLEŽITÉ VAROVANIA A POKYNY NA POUŽÍVANIE ČISTIČA VZDUCHU:

UPOZORNENIE: Dodržiavajte pokyny uvedené v tejto príručke, aby ste znížili riziko zásahu elektrickým prúdom, skratu a požiaru:

- Čistič vzduchu nepoužívajte ako jedinou ochranu pred škodlivými znečisťujúcimi látkami.
- Toto zariadenie používajte len spôsobom určeným výrobcom. Ak máte otázky, obráťte sa na výrobcu.
- Zariadenie neopravujte ani neupravujte, pokiaľ sa to v tejto príručke výslovne neodporúča. Všetky opravy musí vykonávať kvalifikovaný technik.
- Zástrčku žiadnym spôsobom nemeňte. Keď nemôžete zástrčku zasunúť do zásuvky, otočte ju. Ak ani potom nemôžete zasunúť zástrčku do zásuvky, obráťte sa na kvalifikovaného technika, aby namontoval správnu zásuvku.
- Zariadenie nepoužívajte, ak sú napájací kábel alebo zástrčka poškodené alebo ak je pripojenie do zásuvky voľné.
- Napájací kábel nepoškodujte, neprelamujte, nasilu neohýbajte, neťahajte, neobtáčajte, nezväzujte, neobalujte, nepritláčajte, nevedte popod koberce, nezakrývajte behúňmi ani naň nedávajte ťažké predmety.
- Zo zástrčky pravidelne odstraňujte prach. Obmedzte tým možnosť hromadenia vlhkosti, ktorá zvyšuje riziko úrazu elektrickým prúdom.
- Pred čistením zariadenia vytiahnite napájaciu zástrčku zo zásuvky. Pri vyťahovaní vždy ťahajte za napájaciu zástrčku nie za napájací kábel.
- Keď zariadenie nepoužívate, vytiahnite napájaciu zástrčku zo zásuvky.
- Napájaciu zástrčku nechytajte mokrymi rukami.
- Používajte len elektrické napájanie (napätie a frekvenciu) špecifikované pre inštalovaný model čističa vzduchu.
- Nezakrývajte prívod ani odvod vzduchu do/z čističa vzduchu.
- Zariadenie nepoužívajte bez nainštalovaných filtrov.
- Žiadny z filtrov neumývajte ani nepoužívajte opakovane.
- Nepoužívajte nadstavce ani filtre inej značky ako AeraMax® PRO, pretože zariadenie by nefungovalo.
- Na zariadenie ani do jeho vnútra nesprenjujte žiadne aerosóly.
- Pred čistením alebo inou údržbou spotrebič odpojte od elektrickej siete.
- Na čistenie zariadenia nepoužívajte čistiace prostriedky.
- Do prívodu ani odvodu vzduchu nedávajte prsty, kvapaliny ani cudzie predmety.
- Zariadenie nepoužívajte na žiadny iný účel okrem čistenia vzduchu.
- Ak je napájací kábel poškodený, musí ho vymeniť výrobca, jeho servisný zástupca alebo podobne kvalifikovaná osoba, aby sa predišlo riziku.
- Tento spotrebič môžu používať deti vo veku 8 rokov a viac a osoby so zníženými psychickými, senzoryckými alebo mentálnymi schopnosťami, či nedostatočnými skúsenosťami a znalosťami, ak sú pod dozorom alebo im boli poskytnuté inštrukcie o použití zariadenia bezpečným spôsobom a porozumeli s tým spojeným rizikám. Deti sa nesmú hrať so spotrebičom. Čistenie a používateľskú údržbu nesmú vykonávať deti bez príslušného dohľadu.

Iba pre Nemecko:

- Používanie je povolené iba mimo zóny 2.
- Zariadenie by sa malo používať s prúdovým chráničom s menovitým prevádzkovým prúdom s hodnotou nižšou ako 30 mA.

OBMEDZENÁ ZÁRUKA NA VÝROBOK

Obmedzená záruka: Spoločnosť Fellowes, Inc. („spoločnosť Fellowes“) zaručuje, že systém kontroly kvality vzduchu AeraMax® PRO („výrobok“) bude bez chýb materiálu a spracovania 3 roky od dátumu zakúpenia. V prípade, že výrobok sa inštaluje na novú konštrukciu, záručná lehota začne plynúť od dátumu kolaudačného rozhodnutia alebo jeden rok po dátume zakúpenia, podľa toho, čo nastane skôr. Ak sa počas záručnej lehoty zistí akýkoľvek chybný diel, bude vaším jediným a výhradným nápravným opatrením oprava alebo výmena chybného dielu podľa uváženia spoločnosti Fellowes a na jej náklady. Táto záruka sa nevzťahuje na škody spôsobené používaním filtrov, ktoré spoločnosť Fellowes neschválila, alebo nedodržaním odporúčaných intervalov výmeny. Táto záruka neplatí v prípadoch nesprávneho použitia, nesprávnej manipulácie, nedodržania noriem používania výrobku, prevádzky s použitím nesprávneho zdroja napájania (iného než uvedeného na štítku) alebo neoprávnenej opravy. Spoločnosť Fellowes si vyhradzuje právo účtovať spotrebiteľom všetky ďalšie náklady, ktoré jej vzniknú v súvislosti s poskytnutím náhradných dielov alebo servisu mimo krajiny pôvodného predaja výrobku autorizovaným predajcom. Táto záruka sa nevzťahuje na náhradné filtre. V prípade, že výrobok nie je prístupný opravárovi určenému spoločnosťou Fellowes, spoločnosť Fellowes si vyhradzuje právo dodať zákazníkovi náhradné diely alebo výrobok, pričom budú v plnej miere splnené jej záväzky vyplývajúce z tejto záruky a všetky jej záväzky týkajúce sa servisu. KAŽDÁ VYPLÝVAJÚCA ZÁRUKA VRÁTANE ZÁRUKY PREDAJNOSTI ALEBO SPÔSOBILOSTI NA URČITÝ ÚČEL JE TÝMTO OBMEDZENÁ NA TRVANIE PRIMERANEJ ZÁRUČNEJ LEHOTY VYSVETLENEJ VYŠŠIE. Spoločnosť Fellowes nebude v žiadnom prípade zodpovedná za žiadne následné, vedľajšie, nepriame ani osobitné škody. Táto záruka vám poskytuje určité zákonné práva. Trvanie, ustanovenia a podmienky tejto záruky platia celosvetovo okrem prípadov, kedy miestne zákony môžu vyžadovať rôzne lehoty, obmedzenia alebo podmienky.

OBSAH BALENIA

- AeraMax® PRO – priemyselný čistič vzduchu
- 4,4 cm hybridný filter (obsahuje 4,4 cm filter True HEPA a 4,4 cm aktívny uhlíkový filter)
- Skrutky (4) a podložky (2) na montáž na stenu
- Kotvy do sadrokartónu
- Informácie o registrácii
- Šablóna na montáž na stenu

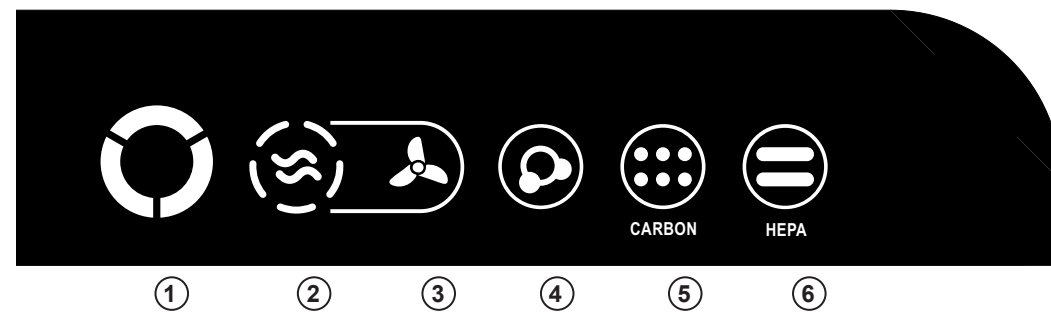
TECHNICKÉ PARAMETRE VÝROBKU

AeraMax® PRO AM II	
Rozmery (V x Š x H)	57,4 x 35,6 x 10,2 cm
Hmotnosť systému (vrátane filtrov)	5,38 kg
Požiadavky na napájanie	220 – 240 V, 50 Hz, 0,55 A
Príkon (5 rýchlostí ventilátora)	5, 8, 13, 41, 71 W
Prívod vzduchu (5 rýchlostí ventilátora)	59,5, 73,1, 86,7, 108,7, 169,9 m ³ /h
Decibely	45, 48, 51, 60, 64 dB
Obrazovka	Kapacitná dotyková
Snímače	EnviroSmart™
Prevádzkové režimy riadené snímačmi	2 primárne režimy – automatický režim a ručný režim
Dodávané filtre	(1) 4,4 cm hybridný filter (obsahuje 4,4 cm filter True HEPA a 4,4 cm aktívny uhlíkový filter) s priemernou odhadovanou životnosťou filtra 1 rok. (1) prefilter, odhadovaná životnosť 3 mesiace.
Čistiaci systém	Hybridný filter obsahuje vysoko účinný filter vzduchových častíc HEPA s minimálnou účinnosťou 99,97 % častíc vo vzduchu s veľkosťou 0,3 mikrometra. Uhlíkový filter absorbuje pachy a prchavé organické zlúčeniny, bipolárny ionizátor PlasmaTRUE™.
*Prívod vzduchu testovaný s hybridným filtrom a zariadením v zvislej polohe.	

NÁHRADNÉ FILTRE

doplňkové uhlíkové filtre	Doplňkové filtre s granulovaným aktívnym uhlíkom. Priemerná životnosť filtra 6 mesiacov: 9544402 – 2 súpavy
4,4 cm filter True HEPA	Náhradný filter True HEPA s úpravou AeraSafe™. Priemerná životnosť filtra 2 roky: 9544301 – 1 kus v balení
4,4 cm uhlíkový filter	Náhradný filter s granulovaným aktívnym uhlíkom. Priemerná životnosť filtra 1 rok: 9544601 – 1 kus v balení
4,4 cm hybridný filter	4,4 cm filter True HEPA a 4,4 cm uhlíkový filter s náhradným hybridným filtrom. Priemerná životnosť filtra 1 rok: 9544501 – 1 kus v balení

Ďalšie informácie o náhradných filtroch a príslušenstve nájdete na adrese: www.aeramaxpro.com



POZNÁMKA: Ručný režim nebude k dispozici 1 minutu po počátečnom spustení.

- 1 **SNÍMAČ KVALITY VZDUCHU** – Tento indikátor monitoruje kvalitu vzduchu a nastavuje rychlost ventilátora tak, aby bol vzduch vždy čistý. Modrá farba indikuje nízku hladinu znečisťujúcich látok, žltá strednú hladinu znečisťujúcich látok a červená vysokú hladinu znečisťujúcich látok.
- 2 **AUTOMATICKÝ REŽIM** – Tento režim vyberiete stlačením a podržaním príslušného tlačidla, kým sa nerozsvieti ikona. Tento režim monitoruje kvalitu vzduchu, pohyb a úroveň hluku a podľa toho nastavuje rychlost ventilátora tak, aby sa vzduch čistil čo najrýchlejšie. Ventilátor disponuje 5 rýchlosťami, pričom v prípade vysokej úrovne znečisťujúcich látok môže ventilátor dosiahnuť rýchlosť „turbo“, aby sa miestnosť vyčistila. Počet svietiacich čiarok okolo tejto ikony označuje rychlost ventilátora. Toto tlačidlo tiež zahŕňa TICHÝ REŽIM. Ak ho chcete vybrať, stlačte a podržte tlačidlo, kým sa nerozsvieti napurpurovo. Zariadenie bude aj naďalej používať EnviroSmart™, ale využívať bude len 3 najnižšie, najtichšie rychlosti z 5 rýchlostí ventilátora.
- 3 **RUČNÝ REŽIM** – Tento režim vyberiete stlačením príslušného tlačidla, kým sa nerozsvieti ikona. Tento režim umožňuje vybrať jednu z 5 rýchlostí ventilátora, pričom zariadenie udržiava pri tejto rýchlosti ventilátora, kým sa znova nenastaví AUTOMATICKÝ REŽIM. V tomto režime interné snímače nebudú nastavovať rychlost ventilátora. Počet svietiacich čiarok okolo ikony AUTOMATICKÉHO REŽIMU označuje rychlost ventilátora.
- 4 **TECHNOLÓGIA PlasmaTRUE™** – Vytvára ionizované pole, čo napomáha bezpečne odstrániť častice nečistôt. Technológiu PlasmaTRUE™ môžete zapnúť a vypnúť tak, že sa dotknete indikátora PLASMA a podržite ho. Keď je technológia PlasmaTRUE™ zapnutá, rozsvieti sa modrá kontrolka. Ak chcete technológiu PlasmaTRUE™ vypnúť, stlačte a podržte indikátor PLASMA, kým kontrolka nezhasne.
- 5 **KONTROLKA VÝMENY UHLÍKOVÉHO FILTRA*** – Ak je kontrolka červená, znamená to, že filter treba vymeniť. Interval výmeny sa bude meniť v závislosti od použitého filtra, dĺžky používania, kvality vzduchu a rychlosti prietoku vzduchu. Popisy kontroliek výmeny filtra sú uvedené v časti VÝMENA FILTRA.
- 6 **KONTROLKA VÝMENY FILTRA HEPA*** – Ak je kontrolka červená, znamená to, že filter treba vymeniť. Interval výmeny sa bude meniť v závislosti od použitého filtra, dĺžky používania, kvality vzduchu a rychlosti prietoku vzduchu. Popisy indikátorov výmeny filtra sú uvedené v časti KONTROLKY VÝMENY FILTRA.

*Poznámka – ak používate hybridný filter, budú svietiť kontrolky filtra HEPA aj uhlíkového filtra.

OBSLUHA

Čistič vzduchu nepretržite pracuje v automatickom režime. Čistič vzduchu bude na vyčistenie miestnosti od kontaminantov využívať všetkých 5 rýchlostí ventilátora. Keď je vzduch vyčistený a nie sú aktivované žiadne snímače, zariadenie prejde do úsporného režimu, aby sa znížila spotreba energie a predĺžila životnosť filtrov.

Pri výbere ručného režimu kontrolka ručného režimu na ovládacom paneli bude svietiť namodro. Tento režim umožňuje vybrať jednu z 5 rýchlostí ventilátora, pričom zariadenie udržiava pri tejto rýchlosti ventilátora, kým sa nenastaví automatický režim.

INŠTALÁCIA

Pred inštaláciou zariadenia si pozorne prečítajte pokyny.

BEZPEČNOSŤ

UPOZORNENIE:

Pri umiestňovaní zariadenia berte do úvahy polohu elektrickej zásuvky (dĺžka prívodného kábla je približne 165 cm).

Pred začatím akýchkoľvek inštaláčnych prác sa uistite, že prívod elektrickej energie je odpojený alebo vypnutý, aby ste zabránili riziku usmrtenia elektrickým prúdom.

Presvedčte sa, že priamo za miestom inštalácie/vrtania sa nenachádza žiadne elektrické vedenie, rozvodné potrubie ani kanálové vedenie.

Dôrazne sa odporúča použiť najmenej dva montážne body, pomocou ktorých sa čistič vzduchu namontuje na existujúcu konštrukciu. Inštaláciu by mali vykonávať dve osoby.

Postupujte podľa pokynov v časti Montáž hlavnej zostavy.

NÁSTROJE ODPORÚČANÉ NA INŠTALÁCIU

- Elektrická vrtáčka, vrtáky (nedodávajú sa)
- Krížový skrutkovač č. 2 a plochý skrutkovač č. 2 (nedodávajú sa)
- Matice na drôty (nedodávajú sa)
- Vodováha (nedodáva sa)
- Vyhľadávač konštrukcie

DIELY DODÁVANÉ NA INŠTALÁCIU

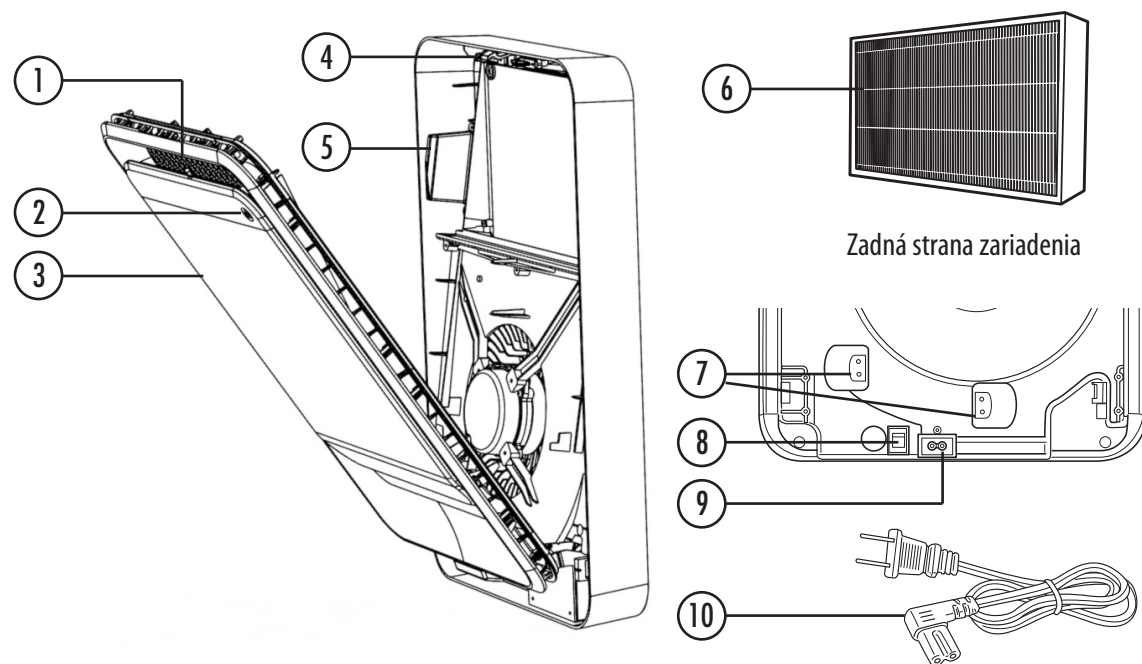
- Kotvy do sadrokartónu – vonkajší priemer 10 mm
- Skrutky so šošovkovou hlavou a krížovou drážkou

POKYNY NA INŠTALÁCIU VÝROBKU

Ak čistič vzduchu inštalujete na stenu vo väčšej výške, horný okraj zariadenia umiestnite najmenej 21 cm pod strop, aby bola možná výmena filtrov.

LEGENDA

1. Ovládací panel
2. Snímač pohybu
3. Predný prístupový panel
4. Západka prístupového panela
5. Nálepka s osvedčením filtra
6. Hybridný filter s prefiltrrom
7. Priestor na odloženie kábla
8. Hlavný vypínač
9. Zásuvka prívodného kábla
10. Zástrčka IEC



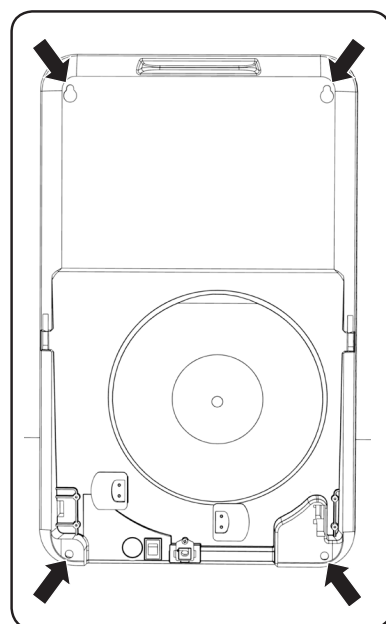
NASTAVENIA – Referenčná časť LEGENDA

1. Jednotku otvoríte ťahaním predného prístupového panelu smerom k sebe a súčasným stlačením západky prístupového panelu (4).
2. Filter vyberte z vrečka a vložte ho do zariadenia.
3. Zástrčku IEC (10) zasuniete do zásuvky prívodného kábla (9) v zadnej časti zariadenia.

MONTÁŽ HLAVNEJ ZOSTAVY

1. Vyberte miesto na montáž zariadenia v blízkosti štandardnej elektrickej zásuvky (dĺžka kábla je približne 1,6 metra).
2. Pomocou montážnej šablóny vyznačte na stene 4 montážne body. Ak zariadenie montujete na existujúcu konštrukciu, nie je potrebná žiadna príprava. Ak zariadenie montujete na sadrokartónové dosky alebo iný povrch vyžadujúci doplnkovú podporu, použite kotvy.
3. [Iba v prípade použitia kotiev] Ak chcete používať kotvy, v montážnych bodoch vyvrtajte 10 mm otvory a vložte do nich kotvy.
4. Nainštalujte 2 horné skrutky, pričom medzi hlavami skrutiek a stenou ponechajte medzeru asi 6 mm. Nezaskrutkujte ich úplne.
5. Zariadenie zaveste pomocou montážnych otvorov v tvare kľúčovej dierky na skrutky nainštalované v predchádzajúcom kroku.
6. Otvorte predné dvierka zariadenia a nainštalujte 2 dolné skrutky do dolných montážnych otvorov.
7. Utiahnite všetky 4 skrutky na doraz.
8. Ak chcete maximalizovať výkon zariadenia, umiestnite dve (2) dodané nálepky nad vnútorné horné montážne body.
9. Filtry vyberte z obalu a nainštalujte ich do zariadenia. Poznámka: Nálepka „AeraMax Pro Certified Filter Sticker“ musí byť zarovnaná s rovnakou nálepkou na zariadení. Ak sa filter nenamontuje správne, zariadenie sa nezapne.
10. Prívodný kábel zapojte do štandardnej zásuvky.
11. Zariadenie zapnite pomocou vypínača, ktorý sa nachádza v pravom dolnom rohu zadnej strany zariadenia. Poznámka: Ručný režim nebude k dispozícii 1 minútu po počiatocnom spustení.

4 Miesta na montáž



STAROSTLIVOSŤ A ÚDRŽBA

ČISTENIE:

- Podľa potreby utrite vonkajší kryt suchou mäkkou handričkou. Na odstránenie škvŕn použite handričku navlhčenú teplou vodou.
- Nepoužívajte prchavé kvapaliny, ako je napríklad benzén, riedidlo alebo prášok na riad, ani iné čistiace prostriedky, ktoré môžu poškodiť povrch zariadenia.
- Otvory na prívod a odvod vzduchu čistite tak, že ich utriete suchou jemnou handričkou.

VÝMENA FILTRA:

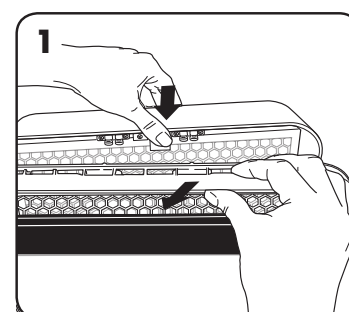
Kontrolky výmeny filtra signalizujú nutnosť výmeny filtra HEPA a/alebo uhlíkových filtrov. Interval výmeny sa bude meniť v závislosti od dĺžky používania, kvality vzduchu a rýchlosti prietoku vzduchu. Pri bežnom používaní však väčšinu filtrov HEPA treba vymeniť každý rok, uhlíkové filtre každých 6 mesiacov a hybridné filtre každý rok. Keď je potrebná výmena filtra, na kontrolkách výmeny filtra HEPA alebo uhlíkového filtra sa zobrazia nasledujúca farba:

Žltá blikajúca = 90 % opotrebovanie filtra (odporúča sa objednať nové filtre)

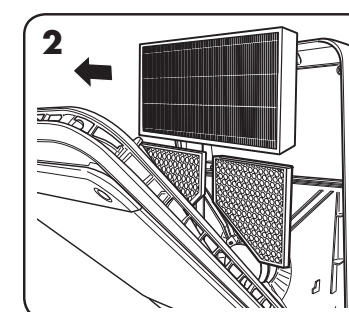
Červená = 100 % opotrebovanie filtra (filtre vymeňte za nové)

Žiadny z filtrov neumývajte ani nepoužívajte opakovane – nebude účinný. Používajte len náhradné filtre značky AeraMax® PRO, pretože v prípade použitia ktoréhokoľvek iného náhradného filtra nebude zariadenie fungovať.

POSTUP PRI VÝMENE FILTROV:

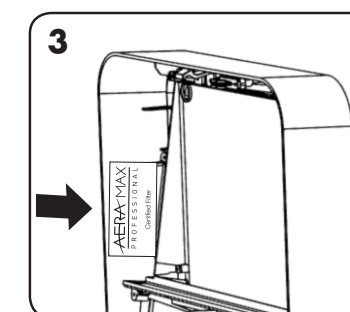


1. Predný prístupový panel potiahnite smerom k sebe a súčasne stlačte západku prístupového panelu.



2. Vyberte starý(-é) filter(-e). 3. Pri vkladaní nových filtrov nezabudnite odstrániť plastové vrečky. Pri vkladaní hybridného filtra sa uistite, že zelený prefilter je položený skrze čiernu uhlíkovú stranu a najprv vložte bielu HEPA stranu. Pri vkladaní nových hybridných filtrov alebo filtrov HEPA zarovnajte nálepky AeraMax® PRO Certified Filter na filtri a vo vnútri zariadenia. Šípka by mala smerovať k zadnej časti zariadenia.

Bod (5) v časti LEGENDA



VYNULOVANIE KONTROLKY FILTRA:

Po nainštalovaní nového filtra zariadenie automaticky zistí typ filtra, ale používateľ musí manuálne vynulovať indikátory výmeny filtra. Kontrolky výmeny filtra vynulujete stlačením a podržaním tlačidla typu filtra, ktorý ste vymenili (HEPA alebo uhlíkový filter), až kým daná kontrolka nezhasne. Postup v prípade potreby zopakujte aj pri iných typoch filtrov. Pri výmene hybridného filtra vynulujte kontrolku filtra HEPA aj kontrolku uhlíkového filtra.

ODSTRÁŇOVANIE PROBLÉMOV

PROBLÉM:	MOŽNÉ RIEŠENIE:
System kontroly kvality vzduchu sa nespustil.	<ul style="list-style-type: none"> • Skontrolujte, či je zariadenie pripojené k zdroju napájania. • Je potrebné, aby ste používali originálne filtre AeraMax® PRO, pretože zariadenie nebude s inými značkami fungovať. DÔLEŽITÉ: Nezabudnite zarovnať nálepky AeraMax® PRO Certified Filter na filtri a vo vnútri zariadenia. Šípky by mali smerovať k zadnej časti zariadenia. • Ďalšie podrobnosti nájdete v časti Spôsob výmeny filtrov. • Uistite sa, že predný prístupový panel je úplne zatvorený. • Skontrolujte, či je hlavný vypínač zapnutý.
Zariadenie vydáva tichý tikajúci zvuk.	<ul style="list-style-type: none"> • Znamená to, že pracuje bipolárny ionizátor PlasmaTRUE™.
Po výmene filtra zostala svietiť kontrolka indikátora výmeny filtra HEPA alebo uhlíkového filtra.	<ul style="list-style-type: none"> • Zopakujte postup pri vynulovaní kontrolky filtra.

BIZTONSÁGI UTASÍTÁSOK/FIGYELMEZTETÉS

Köszönjük, hogy az AeraMax® PRO AM II terméket megvásárolta.

Kérjük, olvassa el és őrizze meg ezeket az utasításokat. A termék működtetésének illetve karbantartásának megkísérlése előtt olvassa el figyelmesen ezt a dokumentumot. Védje saját magát és másokat azzal, hogy eleget tesz az összes biztonsági tájékoztatásnak. A jelen utasítások figyelmen kívül hagyása személyi sérülést és/vagy anyagi kárt okozhat. Tartsa meg az utasításokat jövőbeni hivatkozásra.

FONTOS ÓVINTÉZKEDÉSEK ÉS UTASÍTÁSOK A LÉGTISZTÍTÓ HASZNÁLATÁHOZ:

FIGYELMEZTETÉS: Kövesse a jelen kézikönyvben található utasításokat, mivel így csökkenti az áramütés, rövidzárlat és/vagy tüzeset kockázatát:

- Jelen légtisztítót ne kizárólagos védelmi eszközként alkalmazza a káros szennyező anyagokkal szemben.
- Jelen egységet kizárólag a gyártó által meghatározott célra használja. Kérdések felmerülése esetén vegye fel a kapcsolatot a gyártóval.
- Az egységen ne végezzen semmilyen, jelen kézikönyvben kifejezetten nem javasolt javítást vagy módosítást. Minden javítási munkálatot szakképzett technikusként kell végeznie.
- A csatlakozón semmilyen módosítást ne hajtson végre. Ha a csatlakozó nem illeszkedik a dugaljba, fordítsa meg a csatlakozót. Ha így sem illeszkedik, vegye fel a kapcsolatot egy szakképzett technikussal egy megfelelő dugalj beszerelése céljából.
- Ne használja a terméket, amennyiben a tápkábel vagy a csatlakozó sérült, vagy ha a csatlakozó nem érintkezik biztosan a fali dugaljban.
- Vigyázzon, hogy a tápkábelt ne sértse vagy törje meg, ne hajlítsa meg erőteljesen, ne húzza meg, ne csavarja meg, ne lássa el burkolattal, ne szorítsa össze, ne vezesse el szőnyeg alatt, ne takarja le rongyszőnyeggel, illetve ne helyezzen nehéz tárgyakat a tápkábelre.
- Időnként távolítsa el a port a tápcsatlakozóról. Így csökken a lehetősége a nedvesség felgyülemelésének, ami növeli az áramütés veszélyét.
- Az egység tisztítása előtt húzza ki a tápcsatlakozót a dugaljából. A tápcsatlakozó dugaljából való kihúzásakor mindig a csatlakozót fogja meg, ne a kábelt.
- Húzza ki a tápcsatlakozót a dugaljából, ha nem használja az egységet.
- Ne nyúljon a tápcsatlakozóhoz nedves kezekkel.
- Kizárólag a beszerelt légtisztító modell számára meghatározott elektromos tápellátást (feszültség és frekvencia) alkalmazza.
- Ne torlaszolja el a légtisztító bemeneti vagy kimeneti nyílásait.
- Ne használja beszerelt szűrők nélkül.
- Ne mossa ki és használja újra a szűrőket.
- Ne használjon nem az AeraMax® PRO márkához tartozó kiegészítőket vagy szűrőket, mivel ezekkel az egység nem működik.
- Ne fújjon aeroszol részecskéket az egységre vagy az egységbe.
- Tisztítás vagy egyéb karbantartás előtt a berendezést le kell csatlakoztatni az elektromos hálózatról
- Ne használjon tisztítószer az egység tisztításához.
- Ne helyezze ujját, folyadékot vagy idegen tárgyakat a levegő bemeneti vagy kimeneti nyílásokba.
- Ne alkalmazza az egységet légtisztításon kívül egyéb célokra.
- Sérült tápkábel esetén ezt a gyártónak, szerviz szakemberének vagy egyéb szakképzett személynek cserélnie kell a veszélyek elkerülése érdekében.
- A készüléket 8 éves vagy annál idősebb gyerekek használhatják; a mozgásukban korlátozott és csökkent érzékszervi vagy mentális képességgel élők, illetve a készülék használatára vonatkozó tudással és gyakorlattal nem rendelkező személyek azonban nem használhatják, kivéve, ha a felügyeletük biztosított vagy a biztonságukért felelős személytől a készülék biztonságos használatára vonatkozóan utasítást kaptak és megértik a használattal járó veszélyeket. Ügyelni kell arra, hogy a gyerekek ne játszanak a készülékkel. A készülék tisztítását és karbantartását gyermekek csak felügyelet mellett végezhetik.

Csak Németországban:

- Használata csak a 2. Zónán kívül engedélyezett.
- A gép olyan áram-védőkészülékekkel (RCD) használandó, amelyek névleges üzemi hibaáram-erőssége nem több, mint 30 mA.

A KÉSZÜLÉKRE VONATKOZÓ KORLÁTOZOTT JÓTÁLLÁS

Korlátozott jótállás: A Fellowes, Inc. (a továbbiakban „Fellowes”) garantálja, hogy az AeraMax® PRO légtisztító rendszer (a továbbiakban a „Termék”) mentes az anyagbeli vagy gyártási hibáktól a vásárlás dátumától számított 3 évig. Amennyiben a Termék új építménybe kerül beszerelésre, a jótállási időszak a lakhatási engedély dátumától vagy a vásárlás után egy évvel veszi kezdetét, a korábbi dátumot figyelembe véve. Ha a jótállási időszak alatt bármely alkatrész meghibásodik, az Ön egyedüli és kizárólagos jogorvoslat a hibás alkatrész javítására vagy cseréjére korlátozódik a Fellowes belátása szerint és az ő költségére. Jelen jótállás nem terjed ki a Fellowes által jóvá nem hagyott szűrők használata vagy a javasolt csereperiódus figyelmen kívül hagyása okozta meghibásodásokra. Ez a jótállás nem érvényes helytelen kezelés, megrongálás, a termék normál használatának be nem tartása, nem megfelelő tápellátással történő (a címkén lévő értéktől eltérő) használat, illetve illetéktelen javítás esetére. A Fellowes fenntartja a jogot, hogy számlát állítson ki a vásárlónak a Fellowesnél felmerült kiegészítő költségeikért, ha az alkatrészeket és a javítást a Termék értékesítésének eredeti országától eltérő országban kellett biztosítani. Jelen jótállás nem terjed ki a cserélhető szűrőkre. Amennyiben a Termék nem érhető el a kijelölt Fellowes szervizszemélyzet számára, a Fellowes fenntartja a jogot, hogy az ügyfélnek biztosítsa a cserealkatrészeket vagy Terméket, és ezzel teljes mértékben teljesítve jelen jótállásban vállalt kötelezettségeket vagy bármely egyéb szerviz kötelezettséget. A FORGALOMBA HOZHATÓSÁGRA, ILLETVE AZ ADOTT CÉLRA VALÓ ALKALMASSÁGRA VONATKOZÓ RÁUTALÓ MAGATARTÁSSAL VÁLLALT JÓTÁLLÁS A FENT MEGÁLLAPÍTOTT JÓTÁLLÁSI IDŐSZAK IDŐTARTAMÁRA KORLÁTOZÓDIK. A Fellowes semmilyen esetben sem felelős az ennek a terméknek tulajdonítható következményi, járulékos, közvetlen vagy különleges károkért. Ez a jótállás bizonyos jogokat biztosít Önnek. A jótállás időtartama és feltételei az egész világra kiterjednek, azokat a helyeket kivéve, ahol a helyi törvények különböző korlátozásokat, megszorításokat vagy feltételeket tesznek szükségessé.

CSOMAG TARTALMA

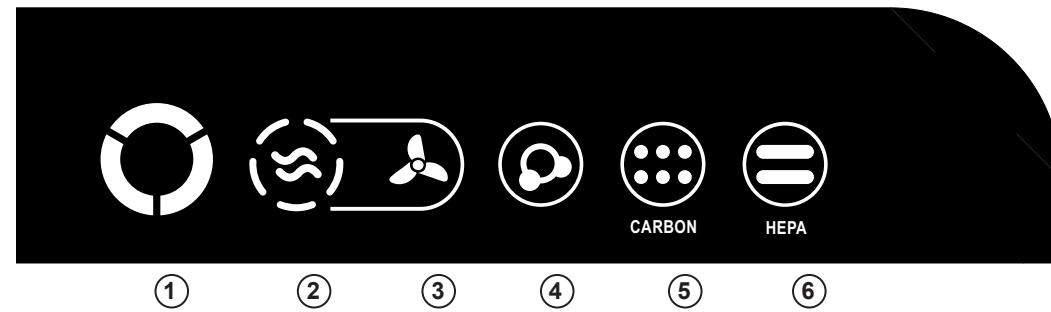
- AeraMax® PRO kereskedelmi minőségű légtisztító:
- 4,4 centiméteres hibrid szűrő (benne: 4,4 centiméteres valódi HEPA & 4,4 centiméteres aktív szén)
- Fali rögzítő csavarok (4) és alátétek (2)
- Gipszkarton-tiplik
- Regisztrációs tájékoztató
- Felfogatósi sablon falra rögzítéshez

TERMÉKJELLEMZŐK

AeraMax® PRO AM II	
Méret (Ma x Sz x Mé)	57,4 x 35,6 x 10,2 cm
Rendszer tömege (szűrőkkel együtt)	5,38 kg
Teljesítménykövetelmény	220-240 volt, 50 Hz, 0.55 amp
Energiafogyasztás (5 ventilátorsebesség)	5, 8, 13, 41, 71 watt
Szállított légmennyiség (5 ventilátorsebesség)	35, 43, 51, 64, 100 köbláb/perc
Decibel értékek	45, 48, 51, 60, 64 dB
Kijelző	Kapacitív technológiájú érintőképernyő
Érzékelők	EnviroSmart™
Érzékelők által vezérelt üzemmódok	2 elsődleges üzemmód: automata üzemmód és kézi üzemmód
Mellékelt szűrők	(1) 4,4 centiméteres hibrid szűrő (benne: 4,4 centiméteres valódi HEPA & 4,4 centiméteres aktív szén), becsült átlagos élettartama 1 év. (1) előszűrő, becsült élettartam 3 hónap.
Tisztítási rendszer	Nagy hatékonyságú levegő részecskeszűrő (High Efficiency Particulate Air - HEPA), melynek névleges hatékonysága 99,97% a levegőben található 0,3 mikron méretű részecskékkal szemben. A szén-szűrő megköti a szagokat és az illékony szerves anyagokat, PlasmaTRUE™ bipoláris ionizáló.
*A gépen függőleges orientációval és hibrid szűrővel végezték a CFM-tesztet (az átfolyó levegőmennyiség tesztjét).	

TARTALÉK SZŪRŐK	
szén	Plusz granuláris aktivált szén-szűrők. Átlagos szűrőélettartam 6 hónap: 9544402 – 2 készlet
4,4 centiméteres HEPA	Valódi HEPA csereszűrő AeraSafe™ kezeléssel. Átlagos szűrőélettartam 2 év: 9544301 – 1 darabos csomag
4,4 centiméteres szén	Granuláris aktivált szén csereszűrő. Átlagos szűrőélettartam 1 év: 9544601 – 1 darabos csomag
4,4 centiméteres hibrid	4,4 centiméteres valódi HEPA és 4,4 centiméteres szén-szűrő hibrid csereszűrővel. Átlagos szűrőélettartam 1 év: 9544501 – 1 darabos csomag

További csereszűrőkre és kiegészítőkre vonatkozó tájékoztatás ügyében látogassa meg a következő webhelyet: www.aeramaxpro.com



MEGJEGYZÉS: A kézi üzemmód az áram alá helyezés után még 1 percre nem használható.

- 1 **LÉGMINŐSÉG ÉRZÉKELŐ** – ez a jelzőműszer a levegő minőségét figyeli, és ahhoz igazítja a ventilátor sebességét, így tartja tisztán a levegőt. A kék alacsony szintű szennyezettségi szintet jelez, a sárga közepes szennyezettségi szintet, a vörös magas szennyezettségi szintet.
- 2 **AUTOMATA ÜZEMMÓD** – Ennek kiválasztásához tartsa nyomva a gombot mindaddig, amíg az ikon világítani kezd. Ez az üzemmód figyeli a légminőséget, a légmozgást és a zajszintet, és ezek figyelembe vételével szabályozza a ventilátorsebességet, hogy a lehető leggyorsabban megtisztítsa a levegőt. A ventilátornak 5 sebességi fokozata van, és magas szennyezettségi szint esetén az elérhető legnagyobb fokozatba kapcsolhat a helyiség levegőjének megtisztítása érdekében. Az ikon körül világító pipák jelzik a ventilátor sebességét. Ez a gomb használható a CSENDES ÜZEMMÓDHOZ is. A használatához nyomja meg és tartsa lenyomva, amíg a gomb lilára nem vált. A készülék továbbra is használja az EnviroSmart™ technológiát, de az 5 ventilátorsebesség közül csak a 3 legalacsonyabbat, legcsendesebbet alkalmazza.
- 3 **KÉZI ÜZEMMÓD** – Ennek kiválasztásához tartsa nyomva a gombot mindaddig, amíg az ikon világítani kezd. Ebben az üzemmódban választhat a ventilátor 5 sebesség-fokozata közül, és azon a sebességen tarthatja a gépet, amíg újból AUTOMATA ÜZEMMÓDRÁ nem vált. A belső érzékelők ebben az üzemmódban nem állítanak a ventilátor sebességén. Az AUTOMATA ÜZEMMÓD ikon körül világító pipák jelzik a ventilátor sebességét.
- 4 **PlasmaTRUE™ TECHNOLOGIA** – Ionizált mezőt hoz létre, így segíti a levegőben található káros anyagok biztonságos eltávolítását. A PlasmaTRUE™ TECHNOLOGIA ki- és bekapcsolásához nyomja meg és tartsa lenyomva a PLAZMA jelzőt. Kék fény látható, amikor a PlasmaTRUE™ TECHNOLOGIA be van kapcsolva. A PlasmaTRUE™ TECHNOLOGIA kikapcsolásához nyomja meg és tartsa lenyomva a „Plasma” jelzőt, míg a fény kialszik.
- 5 **SZÉNSZŰRŐ CSERE JELZŐ*** – A vörös fény azt jelzi, hogy a szűrő cseréje szükséges. A csereidőszak a használt szűrők, az üzemi órák, a légminőség és a légáramlási sebesség függvényében változik. A szűrőcsere jelzők magyarázata megtalálható a SZŰRŐCSERE c. részben.
- 6 **HEPA-SZŰRŐ CSERE JELZŐ*** – A vörös fény azt jelzi, hogy a szűrő cseréje szükséges. A csereidőszak a használt szűrők, az üzemi órák, a légminőség és a légáramlási sebesség függvényében változik. A szűrőcsere jelzők magyarázata megtalálható a SZŰRŐCSERE JELZŐK c. részben.

*Megjegyzés: a hibrid szűrő használatakor a HEPA és a szén jelzőfények egyaránt világítanak.

ÜZEMELTETÉS

Automata üzemmódban a légtisztító folyamatosan működik; A légtisztító végigmegy mind az 5 sebességfokozaton, hogy megtisztítsa a helyiség levegőjét a szennyeződésektől. A légtisztítást követően, és ha egyetlen érzékelő se kapcsol be, az egység energiatakarékos üzemmódba kapcsol, így csökkentve az energiafogyasztást és növelve a szűrők élettartamát.

Kézi üzemmód kiválasztása esetén a vezérlőpanelen található Manual jelző kéken világít. Ebben az üzemmódban választhat a ventilátor 5 sebesség-fokozata közül, és azon a sebességen tarthatja a gépet, amíg újból automata üzemmódra nem vált.

Beszereles előtt figyelmesen olvassa el az utasításokat

BIZTONSÁGI

FIGYELMEZTETÉS:

A gép elhelyezéskor vegye figyelembe az elektromos aljzat helyét is (a tápkábel hossza kb. 165 cm).

Az áramütés kockázatának megelőzése érdekében győződjön meg arról, hogy az elektromos tápellátás lekapcsolása vagy lecsatlakoztatása megtörtént, mielőtt bármilyen beszerelési munkába kezdene.

Győződjön meg arról, hogy nem találhatók elektromos vezetékek, közműhöz tartozó csövek vagy csőrendszer közvetlenül a beszerelési/fúrás terület mögött.

Határozottan javasolt legalább 2 felfogási pontot egy falpillérré kialakítani a légtisztító felszerelése során. A beszereléshez 2 emberre van szükség.

Kövessen a „Főegység rögzítése” c. rész utasításait.

BESZERELÉSHEZ SZÜKSÉGES SZERSZÁMOK

- Elektromos fúró, fúrófejek (nincsenek mellékelve)
- 2-es csillagcsavarhúzó és 2-es laposfejű csavarhúzó (nincsenek mellékelve)
- Kábelér összekötők (nincsenek mellékelve)
- Vízmérték (nincsenek mellékelve)
- Anyagkereső készülék

BESZERELÉSHEZ BIZTOSÍTOTT ALKATRÉSZEK

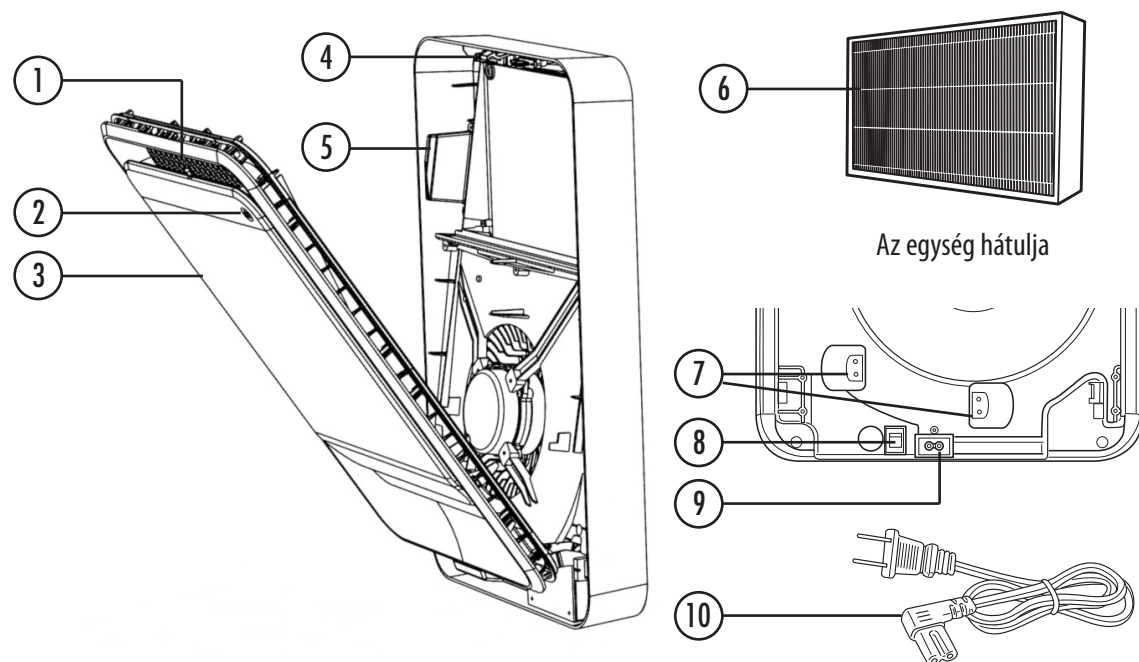
- Fali tipli - 10 mm-es külső átmérő
- Kúpfejű keresztornyú csavarok

TERMÉKBESZERELÉSI UTASÍTÁSOK

Amennyiben a légtisztítót magasra kívánja szerelni, bizonyosodjon meg arról, hogy az egység felső pontja és a mennyezet között legalább 21 cm távolság marad, hogy a szűrőcserét el lehessen végezni.

JELMAGYARÁZAT

1. Vezérlőpanel
2. Mozgásérzékelő
3. Elülső szerelőpanel
4. Szerelőpanel retesze
5. Hitelesített szűrőcímké
6. Hibrid szűrő előszűrővel
7. Kábelrendező
8. Teljesítménykapcsoló
9. Tápkábel csatlakozó
10. IEC csatlakozó



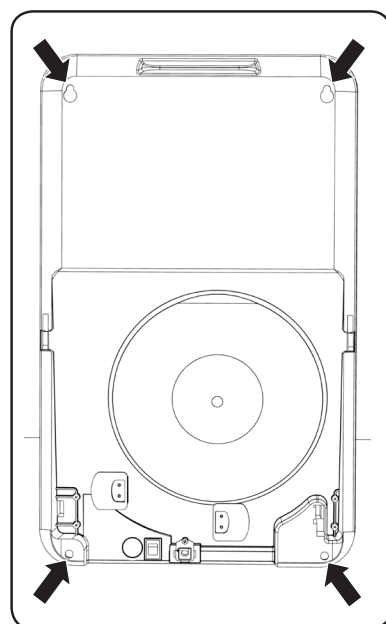
ÖSSZEÁLLÍTÁS - JELMAGYARÁZAT hivatkozással

1. Nyissa ki az egységet úgy, hogy a szerelőpanel retesét (4) lefelé nyomja, miközben az elülső szerelőpanelt önmaga felé húzza.
2. A szűrőből vegye ki a zsákokat, és helyezze vissza az egységbe.
3. Dugja az IEC csatlakozót (10) az egység hátulján lévő tápkábel-csatlakozóba (9).

A FŐEGYSÉG RÖGZÍTÉSE

1. Válasszon ki egy felületet a gép rögzítéséhez egy szabvány elektromos aljzat közelében (a kábel hossza körülbelül 1,6 méter).
2. A felfogatási sablont használva jelölje meg a falon a négy rögzítési pontot. Ha a rögzítési pontok egy meglévő falpillérré kerülnek, nem szükséges előkészíteni. Ha a rögzítési pontok csak gipszkartonra vagy más olyan felületre kerülnek, amely megerősítést igényel, használjon faltiplit.
3. [Csak tiplik használata esetén] Tiplik használatához előbb fúrjon 10 mm-es lyukakat a falba a rögzítési pontokon, majd szerelje a tipliket a falba.
4. Csavarja be a 2 felső csavart úgy, hogy nagyjából 6 mm maradjon a csavar feje és a fal között. Ne csavarja be teljesen a csavarokat.
5. A felső, kulcslyuk alakú rögzítőlyukakkal akassza az egységet az előbb beszerelt csavarokra.
6. Nyissa ki az egység elülső ajtaját, majd csavarja be a 2 alsó csavart az alsó rögzítési pontokba.
7. Húzza meg mind a 4 csavart, amíg szintbe nem kerülnek.
8. Helyezze a (2) mellékelt matricát a belső felső rögzítőnyílásokra a teljesítmény növelése érdekében.
9. Vegye ki a szűrőket a csomagolásból, és szerelje be őket az egységbe. Megjegyzés: A szűrőn lévő „AeraMax Pro hitelesített szűrőcímkének” az egységen lévő megegyező címkével illeszkednie kell. Ha a szűrő nem megfelelően van beszerelve, az egység nem kapcsol be.
10. Dugja be a tápkábelt a szabvány elektromos aljzatba.
11. Nyúljon be az egység mögé, hátul a jobb alsó részen keresse meg a főkapcsolót, és kapcsolja be. Megjegyzés: A kézi üzemmód az áram alá helyezés után még 1 percig nem használható.

A 4 rögzítési pont



ÁPOLÁS ÉS KARBANTARTÁS

TISZTÍTÁS:

- A külső burkolatot tisztítás gyanánt száraz, puha törlőronggyal törölje át; foltokhoz használjon meleg nedves rongyot.
- Ne használjon illékony folyadékokat, például benzolt, festékhígítót, súrolóport vagy egyéb tisztítószereket, amelyek károsíthatják a gép felületét.
- A bemeneti és kimeneti nyílásokat tisztítás gyanánt száraz, puha törlőronggyal törölje át.

SZÜRŐCSERE:

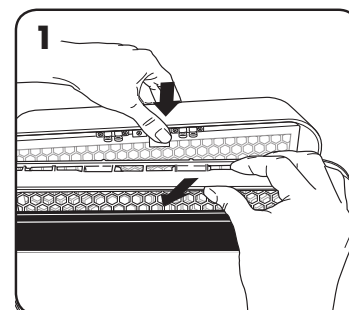
A szűrőcsere jelzők tájékoztatják, mikor szükséges lecserélni a HEPA szűrőt illetve a széniszűrőt. A csereidőszak az üzemi órák, a légminőség és a légáramlási sebesség függvényében változik. Mindazonáltal normál használat mellett a HEPA szűrők többségét minden 1 évben, a széniszűrőket minden 6 hónapban, a hibrid filtereket pedig minden 1 évben cserélni kell. Amikor cserélni kell egy adott szűrőt, a következő színek egyike lesz látható a HEPA vagy SZÉN szűrőcsere jelzőkön:

Villogó sárga = 90%-os szűrő elhasználódottság (javasolt új szűrők megrendelése)

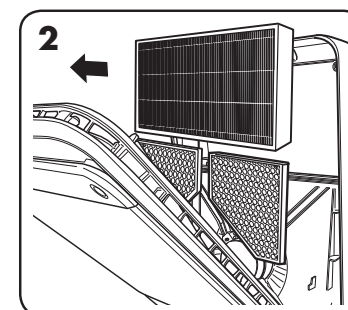
Vörös = 100%-os szűrő elhasználódottság (cserélendő új szűrőkkel)

Ne mossa ki és használja újra a szűrőket, mivel ezek már nem fognak megfelelő hatékonyságot nyújtani. Kizárólag AeraMax® PRO márkájú csereszűrőket használjon, mivel az egység egyéb csereszűrőkkel nem fog üzemelni.

SZÜRŐCSERÉLÉSI ELJÁRÁS:



1. Nyomja a szerelőpanel retesét lefelé, miközben az elülső szerelőpanelt önmaga felé húzza.



2. Vegye ki a régi szűrőt/szűrőket. 3. Az új szűrők behelyezése közben ne feledje eltávolítani a nylon zsákokat. A hibrid filter behelyezésekor gondoskodjon róla, hogy a zöld előszűrő a fekete szénrészren helyezkedik el, és először azt a részt helyezze be úgy, hogy a fehér HEPA kifelé van. Új hibrid vagy HEPA szűrők behelyezésekor igazítsa egymáshoz a szűrőn és az egység belsején lévő AeraMax® PRO hitelesített szűrőcímkéket. A nyílknak az egység hátulja felé kell mutatnia.

JELMAGYARÁZAT rész (5) hivatkozás.

SZÜRŐCSERE JELZŐ VISSZAÁLLÍTÁSA:

Új szűrő beszerelések az egység automatikusan érzékeli fogja a szűrőtípust, azonban a szűrőcsere jelzőket a felhasználónak kell kézzel visszaállítania. Bármely szűrőcsere-jelző visszaállításához tartsa nyomva a kicserélt szűrő típusának (HEPA vagy szén) megfelelő gombot mindaddig, amíg a jelzőfény kialszik. Szükség szerint ismétlje meg a többi szűrőtípussal is. Hibrid szűrő cseréje esetén állítsa vissza mind a HEPA, mind a szén szűrőcsere-jelzőt.

HIBAEHÁRÍTÁS

PROBLÉMA:	LEHETSÉGES MEGOLDÁS:
A légtisztító rendszer nem indul be.	<ul style="list-style-type: none"> • Ellenőrizze, hogy az egység tápellátáshoz van kapcsolva. • Bizonyosodjon meg arról, hogy az összes szűrő eredeti AeraMax® PRO szűrő, mivel az egység egyéb márkájú szűrőkkel nem üzemel. FONTOS: Ne felejtse egymáshoz igazítani a szűrőn és az egység belsején lévő AeraMax® PRO hitelesített szűrőcímkéket. A nyílknak az egység hátulja felé kell mutatniuk. • További részletekért tekintse át a Szűrő csere módja c. részt. • Bizonyosodjon meg arról, hogy az elülső hozzáférési panel teljes mértékben be van zárva. • Bizonyosodjon meg arról, hogy a teljesítménykapcsoló be van-e kapcsolva.
Az egység alig hallható kattogó hangot hallat.	<ul style="list-style-type: none"> • Ez a „PlasmaTRUE™” bipoláris ionizáló működéséről tanúsodik.
A HEPA- és/vagy széniszűrőcsere jelzők továbbra is világítanak a szűrő(k) cseréjét követően.	<ul style="list-style-type: none"> • Ismétlje meg a szűrő jelző visszaállítását.

PORTUGUÊS

Purificador de Ar Comercial: AeraMax® PRO: AM II

INSTRUÇÕES DE SEGURANÇA/ADVERTÊNCIA

Muito obrigado por ter adquirido o AeraMax® PRO AM II.

Leia e guarde estas instruções. Leia cuidadosamente antes de tentar operar ou manter este produto. Proteja-se a si mesmo e a outros, observando todas as informações de segurança. O incumprimento das instruções poderia resultar em danos pessoais e/ou danos da propriedade. Retenha as instruções para futuras consultas.

CUIDADOS IMPORTANTES E INSTRUÇÕES PARA UTILIZAÇÃO DO PURIFICADOR DE AR:

ADVERTÊNCIA: Siga as instruções neste manual para reduzir o risco de choque elétrico, curto-circuito e/ou incêndio:

- Não utilize este purificador de ar como proteção única contra poluentes prejudiciais.
- Utilize esta unidade apenas da forma pretendida pelo fabricante. Se tiver quaisquer dúvidas, contacte o fabricante.
- Não repare nem modifique a unidade exceto se especificamente recomendado neste manual. Todas as reparações devem ser efetuadas por um técnico qualificado.
- Não altere a ficha de forma alguma. Se a ficha não entrar na tomada, inverta a sua posição. Se continuar a não entrar, contacte um técnico qualificado para instalar uma tomada adequada.
- Não use se o cabo de alimentação ou a ficha estiverem danificados ou se a ligação à tomada de parede estiver solta.
- Não danifique, quebre, dobre com força, puxe, torça, ate, cubra, trilhe, passe por baixo de carpetes, cubra com tapetes ou coloque objetos pesados sobre o cabo de alimentação.
- Remova periodicamente o pó da ficha do cabo de alimentação. Isso reduzirá a possibilidade de acumulação de humidade, o que aumenta o risco de choque elétrico.
- Retire a ficha de alimentação da tomada antes de limpar a unidade. Quando retirar a ficha de alimentação, segure pela própria ficha e nunca pelo cabo.
- Retire a ficha de alimentação da tomada quando a unidade não estiver a ser usada.
- Não manuseie a ficha de alimentação com as mãos molhadas.
- Utilize apenas a energia elétrica (voltagem e frequência) especificada para o modelo de purificador de ar a ser instalado.
- Não obstrua a entrada ou a saída de ar do purificador de ar.
- Não utilize a unidade sem os filtros instalados.
- Não lave nem reutilize nenhum dos filtros.
- Não utilize anexos ou filtros de outra marca que não a AeraMax® PRO, uma vez que a unidade não funcionará.
- Não pulverize aerossóis para cima, ou para dentro da unidade.
- Antes de proceder a limpeza ou a manutenção, o aparelho tem de estar desligado do cabo elétrico.
- Não utilize detergentes para limpar a unidade.
- Não introduza os dedos, líquidos nem objetos estranhos na entrada ou saída de ar.
- Não utilize a unidade para qualquer outro fim que não seja a purificação de ar.
- Se o cabo de alimentação estiver danificado, terá de ser substituído pelo fabricante, pelo respetivo representante de assistência técnica ou por pessoas igualmente credenciadas, de modo a evitar perigos.
- Este aparelho pode ser usado por crianças a partir dos 8 anos de idade e por pessoas com capacidades físicas, sensoriais ou mentais reduzidas, ou com falta de experiência e conhecimentos, se forem supervisionadas ou receberem instruções relativamente à utilização do aparelho de forma segura e com compreensão dos perigos existentes. As crianças não devem brincar com o aparelho. A limpeza e manutenção por parte do utilizador não devem ser feitas por crianças sem supervisão.

Apenas na Alemanha.

- Utilização permitida apenas fora da Zona 2.
- A unidade deverá ser usada com dispositivos de proteção de diferencial residual (RCD) com uma corrente de operação residual que não exced 30 mA.

GARANTIA LIMITADA DE PRODUTO

Garantia limitada: A Fellowes, Inc. ("Fellowes") garante que o sistema de controlo da qualidade do ar AeraMax® PRO (o "Produto") está isento de defeitos de material e de mão de obra durante um período de 3 anos a partir da data de compra. No caso de o Produto ser instalado numa construção nova, o período de garantia deverá começar na data da licença de ocupação ou um ano depois da data da compra, o que ocorrer primeiro. Se encontrar um defeito em qualquer peça durante o período de garantia, o seu único e exclusivo recurso será a reparação ou a substituição, mediante o critério e o encargo da Fellowes, da peça com defeito. Esta garantia não cobre danos causados pela utilização de filtros que não sejam aprovados pela Fellowes ou pelo incumprimento do plano de substituição recomendado. Esta garantia não se aplica em casos de utilização abusiva, manuseamento inadequado, incumprimento das normas de utilização do produto, utilização com uma fonte de alimentação inadequada (outra que não a indicada na etiqueta) ou reparações não autorizadas. A Fellowes detém o direito de cobrar aos consumidores quaisquer custos adicionais incorridos para o fornecimento de peças ou de serviços fora do país onde o Produto foi originalmente vendido por um revendedor autorizado. Esta garantia não cobre filtros substituíveis. No caso do Produto não estar prontamente acessível ao pessoal de assistência técnica designado da Fellowes, a Fellowes detém o direito de fornecer ao consumidor as partes de substituição ou o Produto em plena satisfação das suas obrigações sob esta garantia e quaisquer obrigações de assistência técnica. QUALQUER GARANTIA IMPLÍCITA, INCLUINDO DE COMERCIALIZAÇÃO OU DE ADEQUAÇÃO PARA UMA FINALIDADE EM PARTICULAR, É AQUI LIMITADA AO PERÍODO DE GARANTIA APROPRIADO, CONFORME ANTERIORMENTE ESTABELECIDO. Em caso algum poderá a Fellowes ser responsabilizada por quaisquer danos consequentes, acidentais, indiretos ou especiais. Esta garantia concede-lhe direitos legais específicos. A duração, os termos e condições desta garantia são válidos a nível mundial, salvo em caso de imposição de limitações, restrições ou condições diferentes pelas leis locais.

CONTEÚDO DA EMBALAGEM

- Purificador de ar comercial AeraMax® PRO
- Filtro híbrido 1,75 pol (4,4 cm) (inclui True HEPA 4,4 cm e carbono ativado 4,4 cm)
- Parafusos de montagem (4) e arruelas (2)
- Buchas de parede de gesso
- Informação de registo
- Molde de montagem na parede

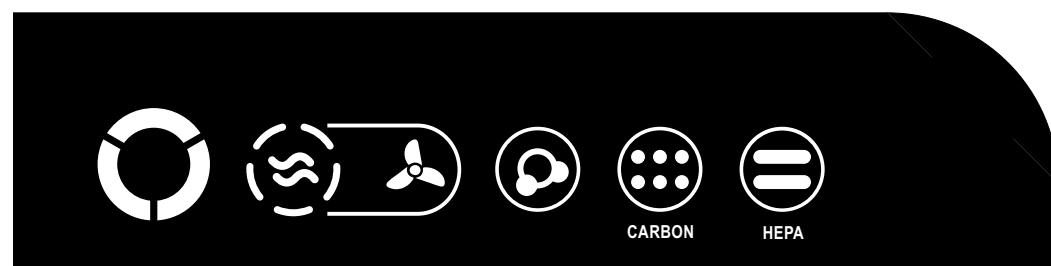
ESPECIFICAÇÕES DE PRODUTO

AeraMax® PRO AM II	
Dimensões (A x L x P)	22,6 x 14 x 4 polegadas / 57,4 x 35,6 x 10,2 cm
Peso do sistema (incluindo os filtros)	11,9 lbs / 5,38 kg
Requisitos de energia	220-240 volt, 50 Hz, 0,55 amp
Consumo de energia (5 velocidades da ventoinha)	5, 8, 13, 41, 71 watts
Distribuição do ar (5 velocidades da ventoinha)	35, 43, 51, 64, 100 CFM*
Decibéis	45, 48, 51, 60, 64 dB
Visor	Tátil
Sensores	EnviroSmart™
Modos de operação controlados por sensor	2 modos primários - Modo auto e Modo manual
Filtros fornecidos	(1) filtro híbrido de 1,75 pol (4,4 cm) (inclui True HEPA de 4,4 cm e carbono ativado de 4,4 cm) com uma vida útil média do filtro estimada de 1 ano. (1) pré-filtro, duração estimada 3 meses.
Sistema de limpeza	O filtro híbrido inclui eficiência energética do filtro HEPA (High Efficiency Particulate Air - Partículas de ar de alta eficiência) de 99,97% de partículas suspensas no ar a 0,3 micra. O filtro de carbono adsorve odores e compostos orgânicos voláteis, ionizador bipolar PlasmaTRUE™.
*Teste CFM com filtro híbrido e máquina em orientação vertical.	

FILTROS DE SUBSTITUIÇÃO

Amplificadores de carbono	Filtros de carbono ativado granulado adicionais. Vida útil média do filtro de 6 meses: 9544402 - pacote de 2
True HEPA 1,75 pol (4,4 cm)	Substituição do filtro True HEPA com tratamento AeraSafe™. Vida útil média do filtro de 2 anos: 9544301 - pacote de 1
Carbono de 1,75 pol (4,4 cm)	Filtro de substituição de carbono ativado granular. Vida útil média do filtro de 1 ano: 9544601 - pacote de 1
Híbrido 1,75 (4,4 cm)	True HEPA 4,4 cm e carbono 4,4 cm com filtro de substituição híbrido. Vida útil média do filtro de 1 ano: 9544501 - pacote de 1

Para informação adicional sobre filtros de substituição e acessórios, visite: www.aeramaxpro.com



① ② ③ ④ ⑤ ⑥

NOTA: O modo manual não irá estar disponível durante 1 minuto após o arranque inicial.

- ① **SENSOR DE QUALIDADE DO AR** – Este indicador monitoriza a qualidade do ar e ajusta a velocidade da ventoinha para manter o seu ar purificado. A cor azul indica a deteção de um nível baixo de contaminantes, a cor âmbar indica um nível moderado de contaminantes e a cor vermelha indica um nível elevado de contaminantes.
- ② **MODO AUTO** – Para selecionar, prima e mantenha premido o botão até o ícone se iluminar. Este modo monitoriza a qualidade, movimento e nível de ruído do ar para ajustar a velocidade da ventoinha de forma a manter o seu ar purificado o mais rapidamente possível. A ventoinha tem 5 velocidades e pode atingir a velocidade turbo para limpar o ambiente no caso de níveis elevados de contaminante. O número de marcas assinaladas iluminadas em torno deste ícone indica a velocidade da ventoinha. Este botão também inclui o MODO SILENCIOSO. Para selecionar, prima e mantenha premido o botão até ficar púrpura. A máquina irá continuar a utilizar o EnviroSmart™, mas utiliza apenas as 3 velocidades mais baixas e mais silenciosas das 5 velocidades da ventoinha.
- ③ **MODO MANUAL** – Para selecionar, prima e mantenha premido o botão até o ícone se iluminar. Este modo permite-lhe escolher uma das 5 velocidades da ventoinha e mantém a unidade nesta velocidade até o MODO AUTO voltar a ser escolhido. Os sensores internos não irão ajustar a velocidade da ventoinha neste modo. O número de marcas assinaladas iluminadas em torno do ícone MODO AUTO indica a velocidade da ventoinha.
- ④ **TECNOLOGIA PlasmaTRUE™** – Cria um campo ionizado para ajudar a remover em segurança os poluentes atmosféricos. Para ligar e desligar a TECNOLOGIA PlasmaTRUE™, prima e mantenha premido o indicador PLASMA. Uma luz azul ilumina-se quando a TECNOLOGIA PlasmaTRUE™ está ativada. Para desativar a TECNOLOGIA PlasmaTRUE™, prima e mantenha premido o indicador "Plasma" até que a luz se apague.
- ⑤ **INDICADOR DE SUBSTITUIÇÃO DO FILTRO DE CARBONO*** – Se a luz estiver vermelha isto indica que o filtro tem de ser substituído. O período de substituição variará dependendo dos filtros utilizados, das horas de utilização, da qualidade do ar e taxa de fluxo do ar. Para obter descrições sobre o indicador de substituição do filtro, consulte a Seção SUBSTITUIÇÃO DO FILTRO.
- ⑥ **INDICADOR DE SUBSTITUIÇÃO DO FILTRO HEPA*** – Se a luz estiver vermelha isto indica que o filtro tem de ser substituído. O período de substituição variará dependendo dos filtros utilizados, das horas de utilização, da qualidade do ar e taxa de fluxo do ar. Para obter descrições sobre o indicador de substituição do filtro, consulte a Seção INDICADORES DE SUBSTITUIÇÃO DO FILTRO.

*Nota - se o filtro híbrido estiver a ser utilizado, ambos os indicadores HEPA e de carbono irão estar iluminados.

FUNCIONAMENTO

O purificador de ar funciona continuamente no modo automático. O purificador de ar irá funcionar nos 5 níveis de velocidades para limpar os contaminantes presentes no ambiente. Uma vez limpo o ar e, sem sensores ativados, a unidade passa para o modo de poupança de energia para reduzir o consumo energético e prolongar a vida dos filtros.

Quando o modo Manual está selecionado o indicador Normal no painel de comando irá estar azul. Este modo permite-lhe escolher uma das 5 velocidades da ventoinha e manter a unidade nesta velocidade até o Modo Auto ser escolhido/selecionado.

Por favor leia as instruções cuidadosamente antes de instalar a unidade.

SEGURANÇA

ADVERTÊNCIA:

Tenha em atenção a colocação da máquina em relação à tomada elétrica (comprimento do cabo aproximado de 5 pés e 5 pol (1,65 m).

Para evitar o risco de eletrocussão confirme que a alimentação elétrica foi desconectada ou desligada antes de começar qualquer trabalho de instalação.

Confirme que nenhum dos cabos elétricos, tubos utilitários, ou canalizações estão localizados diretamente atrás da área de instalação/ perfuração.

É altamente recomendável pelo menos 2 pontos de montagem para o purificador de ar ser montado numa viga já existente. São necessárias 2 pessoas para a instalação.

Siga as instruções constantes na secção Montagem da estrutura principal.

FERRAMENTAS RECOMENDADAS PARA A INSTALAÇÃO

- Berbequim elétrico, brocas (não incluídos)
- Chave de fenda Philips nº 2 e de parafuso de cabeça plana nº 2 (não incluídas)
- Conectores de cabos (não incluídos)
- Nível (não incluído)
- Detetor de vigas

PEÇAS FORNECIDAS PARA A INSTALAÇÃO

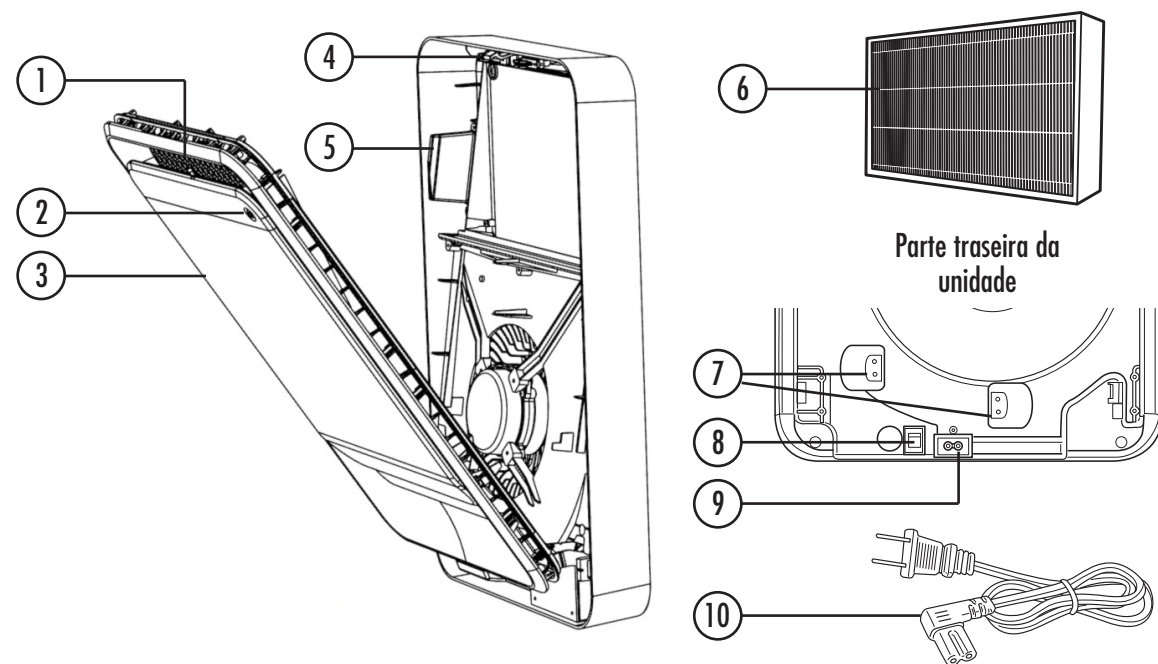
- Buchas de parede de gesso - 10 mm OD
- Parafusos Philips de cabeça redonda

ORIENTAÇÕES PARA A INSTALAÇÃO DO PRODUTO

Se o purificador de ar está a ser montado no alto da parede, certifique-se de que a margem superior da unidade está posicionada a pelo menos 8" polegadas (21 cm) abaixo do teto para permitir a substituição do filtro.

LEGENDA

1. Painel de controlo
2. Sensor de movimento
3. Painel de acesso dianteiro
4. Trinco do painel de acesso
5. Autocolante de filtro certificado
6. Filtro híbrido com pré-filtro
7. Gestão do cabo
8. Interruptor de energia
9. Tomada do cabo de alimentação
10. Ficha IEC



INSTALAÇÃO - Seção da LEGENDA de referência

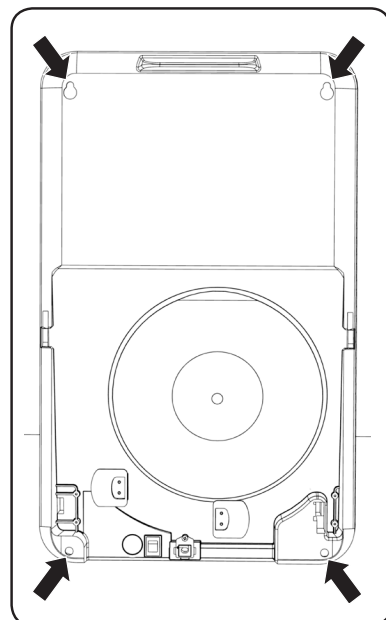
1. Abra a unidade premindo para baixo o trinco do painel de acesso (4) puxando simultaneamente o painel de acesso dianteiro na sua direção.
2. Remova o saco do filtro e volte a colocar na unidade.
3. Ligue a ficha IEC (10) à tomada do cabo de alimentação (9) na parte traseira da unidade.

MONTAGEM DA ESTRUTURA PRINCIPAL

1. Escolha uma área para montar a unidade junto a uma tomada padrão (o comprimento aproximado do cabo é de 1,6 metros).
2. Utilizando o molde de montagem, marque a parede com as 4 localizações de montagem. Se a localização de montagem coincidir com uma viga existente, a preparação não é necessária. Se a localização de montagem coincidir com uma parede apenas de gesso ou com outra superfície que necessite de apoio adicional, utilize buchas.
3. [Apenas com utilização de buchas] Para utilizar buchas, perfure um orifício de 10 mm nas localizações dos orifícios de montagem e instale as buchas na parede.
4. Instale os 2 parafusos superiores deixando uma distância de aproximadamente 1/4 pol. (6 mm) entre a cabeça do parafuso e a parede. Não instale parafusos em toda a sua profundidade.
5. Pendure a unidade nos parafusos instalados no passo anterior utilizando os orifícios de montagem superiores.
6. Abra a porta frontal da unidade e instale os 2 parafusos inferiores nas localizações de montagem inferiores.
7. Aperte os 4 parafusos até ficar nivelada.
8. Coloque os autocolantes fornecidos (2) sobre as localizações dos orifícios de montagem superiores interiores para maximizar o desempenho.
9. Remova o(s) filtro(s) da respetiva embalagem e instale os mesmos na unidade. Nota: O "Autocolante de filtro certificado AeraMax Pro" no filtro necessita estar alinhado com o autocolante idêntico na unidade. Se o filtro não estiver instalado adequadamente a unidade não irá ligar.
10. Ligue o cabo de alimentação a uma tomada padrão.
11. Alcance a parte traseira da unidade no lado direito inferior para aceder ao interruptor de energia e ligar a unidade.

Nota: O modo manual não irá estar disponível durante 1 minuto após o arranque inicial.

4 Localizações de montagem



CUIDADOS E MANUTENÇÃO

LIMPEZA:

- Limpe a caixa externa conforme necessário, utilizando um pano seco e suave; Para manchas, use um pano morno e húmido.
- Não utilize fluidos voláteis tais como benzeno, diluente de tinta, pó de limpeza ou outros produtos de limpeza que possam danificar a superfície da unidade.
- Limpe as ventoinhas de entrada ou exaustão de ar com um pano seco e suave.

SUBSTITUIÇÃO DO FILTRO:

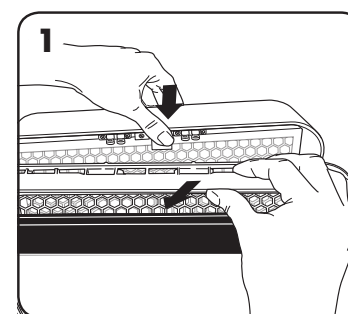
Os indicadores de substituição do filtro indicarão quando substituir o filtro HEPA e/ou filtro de carbono. O período de substituição variará dependendo das horas de utilização, da qualidade do ar e taxa de fluxo do ar. Contudo, em condições normais de utilização, a maioria dos filtros HEPA tem de ser substituída todos os anos, os filtros de carbono a cada 6 meses e os filtros híbridos todos os anos. Quando for necessário substituir um filtro será apresentada a seguinte cor em qualquer um dos indicadores de substituição de filtro HEPA ou CARBONO:

Ambar intermitente = 90% de desgaste do filtro (recomendação para encomendar filtros novos)

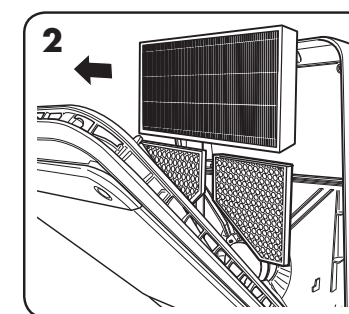
Vermelha = 100% de desgaste do filtro (substituir com filtros novos)

Não lave nem reutilize nenhum dos filtros – não funcionarão com eficiência. Use apenas filtros da marca AeraMax® PRO, uma vez que as unidades não funcionarão utilizando quaisquer outros substitutos.

PROCEDIMENTO DE SUBSTITUIÇÃO DO FILTRO:

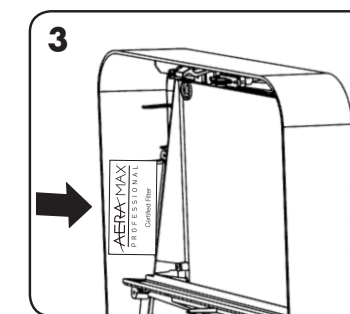


1. Prima para baixo o trinco do painel de acesso puxando simultaneamente o painel dianteiro na sua direção.



2. Remova o(s) filtro(s) antigo(s). 3. Aquando da introdução de filtros novos, certifique-se de que remove o saco de plástico. Ao inserir o filtro híbrido, certifique-se de que o pré-filtro verde está voltado do lado de carbono preto e insira esse lado primeiro com o filtro branco HEPA voltado para fora. Aquando da inserção de filtros híbridos ou HEPA novos, alinhe os autocolantes de filtro certificado AeraMax® PRO no filtro e no interior da unidade. A seta deve apontar na direção da parte traseira da unidade.

Consultar (5) na Seção de LEGENDA.



REINICIALIZAÇÃO DA LUZ DO FILTRO:

Ao instalar um filtro novo, a unidade irá detetar automaticamente o tipo de filtro, mas o utilizador terá de redefinir os indicadores de substituição do filtro. Para redefinir qualquer um dos indicadores de substituição de filtro, prima e mantenha premido o botão do tipo de filtro que foi substituído (HEPA ou Carbono) até a luz se ligar. Repita o passo para os outros tipos de filtro, conforme necessário. Aquando da substituição do filtro híbrido, redefina as luzes indicadoras do filtro HEPA ou de carbono.

RESOLUÇÃO DE PROBLEMAS

PROBLEMA:	SOLUÇÃO POSSÍVEL:
O sistema de controlo da qualidade do ar não se inicia.	<ul style="list-style-type: none"> • Verifique para assegurar que a unidade está conectada à fonte de alimentação. • Certifique-se de que os filtros são filtros genuínos AeraMax® PRO, uma vez que a unidade não funcionará com outras marcas. IMPORTANTE: Certifique-se de que alinha os Autocolantes de filtro certificado AeraMax® PRO no filtro e no interior da unidade. As setas devem apontar na direção da parte traseira da unidade. • Analise a Seção Método de substituição do filtro para obter mais detalhes. • Certifique-se de que o painel de acesso frontal está completamente fechado. • Certifique-se de que o interruptor de energia está na posição de ligado.
A unidade emite um ligeiro estalido.	<ul style="list-style-type: none"> • Isto indica que o ionizador bipolar "PlasmaTRUE™" está a funcionar.
A luz do indicador de substituição do filtro HEPA e/ou de carbono permanece acendida depois da substituição do(s) filtro(s).	<ul style="list-style-type: none"> • Repita a instrução de redefinição da luz do filtro.

W.E.E.E.



English

This product is classified as Electrical and Electronic Equipment. Should the time come for you to dispose of this product please ensure that it is not mixed with general household waste. For proper treatment, recovery and recycling, please take this product to a designated collection point. Please contact your local authority for further details of your nearest designated collection point.

French

Ce produit est classé comme équipement électrique et électronique. Si vous souhaitez mettre ce produit au rebut, veuillez vous assurer qu’il ne soit pas mélangé avec des déchets ménagers généraux. Pour un traitement, une récupération et un recyclage adéquats, veuillez apporter ce produit dans un point de collecte désigné. Veuillez prendre contact avec vos autorités locales pour davantage d’informations concernant votre point de collecte désigné le plus proche.

Spanish

Este producto está clasificado como Equipo eléctrico y electrónico. Si llega el momento en el que necesita desechar este producto, asegúrese de que no se mezcle con los residuos domésticos comunes. Para el correcto tratamiento, valorización y reciclado, lleve este producto a un punto de recogida designado. Póngase en contacto con una autoridad local para obtener más información sobre el punto de recogida designado más cercano.

German

Dieses Produkt wurde als ein elektrisches und elektronisches Gerät klassifiziert. Sollte für Sie der Zeitpunkt der Entsorgung dieses Produkts gekommen sein, stellen Sie bitte sicher, dass es nicht mit dem gewöhnlichen Hausmüll entsorgt wird. Für angemessene Aufbereitung, Verwertung und Wiederaufbereitung bringen Sie dieses Produkt bitte zu einer entsprechenden Sammelstelle. Für weitere Details zu Ihrer am nächsten gelegenen Sammelstelle kontaktieren Sie bitte Ihre Behörden vor Ort.

Italian

Questo prodotto è classificato come Apparecchiatura Elettrica ed Elettronica. Nel caso in cui sia necessario smaltire questo prodotto, accertarsi che non venga inserito tra i rifiuti domestici. Per un trattamento, recupero e riciclaggio appropriati, conferire questo prodotto presso un punto di raccolta designato. Contattare gli enti locali per maggiori dettagli sul punto di raccolta designato più vicino.

Dutch

Dit product is geclassificeerd als elektrische en elektronische apparatuur. Wanneer de tijd komt waarop dit product moet worden afgevoerd, dient u ervoor te zorgen dat het niet bij het algemene huishoudelijke afval wordt gedaan. Breng dit product naar een aangewezen inzamelpunt, zodat het op de juiste wijze kan worden behandeld, teruggewonnen en gerecycled. Neem contact op met de plaatselijke autoriteiten voor meer informatie over het dichtstbijzijnde aangewezen inzamelpunt.

Swedish

Denna produkt är klassificerad som elektrisk och elektronisk utrustning. När det är dags för dig att kassera denna produkt bör du se till att inte blanda samman den med allmänt hushållsavfall. För att behandla, återhämta och återvinna denna produkt ordentligt bör du ta den till en designerad insamlingspunkt. Kontakta din lokala myndighet för mer information om din närmaste designerade insamlingspunkt.

Danish

Denne produkt er klassificeret som elektrisk og elektronisk udstyr. Hvis tiden er inde for at denne produkt skal kasseres, så sørg for at det ikke bliver blandet sammen med almindelig husholdningsaffald. Bring venligst produktet til et indsamlingssted til korrekt behandling, genindvinding og genbrug. Kontakt de lokale myndigheder for at få flere oplysninger om det nærmeste indsamlingssted.

Finnish

Tämä tuote luokitellaan sähkö- ja elektroniikkalaitteeksi. Jos sinun on hävitettävä tämä tuote, varmista, ettei sitä hävitetä lajittelemattomien kotitalousjätteiden mukana. Vie tämä tuote erityiseen jätteenkeruupisteeseen, joka hoitaa käytetyn laitteen asianmukaisen käsittelyn, talteenoton ja kierrätyksen. Voit pyytää lisätietoja lähimmästä virallisesta jätteenkeruupisteestä paikallisilta viranomaisilta.

Norwegian

Denne produktet klassifiseres som elektrisk og elektronisk utstyr. Dersom det skulle bli aktuelt for deg å avhende produktet ber vi deg forsikre deg om at det ikke kastes i husholdningsavfallet. For riktig avhending, gjenvinning og resirkulering, vennligst ta dette produktet med til et deril egnet returpunkt. Vennligst kontakt dine lokale myndigheter for ytterligere detaljer om ditt nærmeste innsamlingssted.

Polish

Ten produkt jest sklasyfikowany jako sprzęt elektryczny i elektroniczny. Przy jego utylizacji należy dopilnować, by nie został wyrzucony razem z odpadami domowymi. Należy dostarczyć go do odpowiedniego punktu zbiórki odpadów, gdzie zostanie poddany właściwemu przetworzeniu, odzyskowi i recyklingowi. Szczegółowe informacje na temat najbliższego punktu zbiórki odpadów można uzyskać, kontaktując się z lokalnymi władzami.

Russian

Данное изделие классифицировано как электрическое и электронное оборудование. По истечении срока эксплуатации изделия не утилизируйте его вместе с бытовыми отходами. Для обеспечения надлежащей обработки, вторичного использования и переработки изделие следует сдать в специализированный пункт приема. Для получения детальной информации касаемо ближайшего специализированного пункта приема утильсырья обратитесь в местные органы власти.

Greek

Αυτό το προϊόν είναι ταξινομημένο ως Ηλεκτρικός και Ηλεκτρονικός Εξοπλισμός. Όταν έρθει η ώρα για την απόρριψη του προϊόντος, βεβαιωθείτε ότι δεν θα απορριφθεί με τα γενικά οικιακά απορρίμματα. Για τη σωστή επεξεργασία, ανάκτηση και ανακύκλωση, παραδώστε το προϊόν σε ένα κατάλληλο κέντρο συλλογής. Παρακαλούμε επικοινωνήστε με την αρμόδια τοπική αρχή για περαιτέρω λεπτομέρειες σχετικά με το πλησιέστερο κέντρο συλλογής.

Turkish

Bu ürün, Elektriksel ve Elektronik Ekipman olarak sınıflandırılmıştır. Bu ürünün atılacağı an geldiğinde bu ürünün ev atığı ile karışmadığından emin olun. Uygun muamele, geri kazanım ve geri dönüşüm için lütfen bu ürünü belirlenmiş toplama noktasına götürün. Belirlenmiş en yakın toplama noktanızın ayrıntıları için yerel yetkililere danışın.

Czech

Tento výrobek je klasifikován jako elektrické a elektronické zařízení. Bude-li třeba tento výrobek již zlikvidovat, dbejte prosím na to, aby nebyl vyhozen do běžného domovního odpadu. Náležitě zpracování, využití a recyklaci tohoto výrobku zajistí určené sběrné místo. Pro další informace o nejbližším určeném sběrném místě se obraťte na příslušný místní úřad.

Slovak

Tento produkt je klasifikovaný ako elektrické a elektronické zariadenie. Ak dôjde k likvidácii tohto produktu, zaistite, aby nebol zlikvidovaný spolu so všeobecným odpadom z domácnosti. Na účely správneho spracovania, zhodnotenia a recyklácie zaneste tento produkt na určené zberné miesto. Ďalšie informácie o najbližšom určenom zbernom mieste vám poskytnie váš miestny úrad.

Hungarian

Ez a termék Elektromos és elektronikus berendezés besorolású. Ha elérkezett az idő a termék leselejtezésére, akkor ügyeljen rá, hogy a termék ne kerüljön az általános háztartási hulladékok közé. A megfelelő kezelés, feldolgozás és újrahasznosítás érdekében, kérjük, juttassa el a terméket egy kijelölt hulladékgyűjtő helyre. A legközelebbi kijelölt hulladékgyűjtő hellyel kapcsolatos információkért forduljon a helyi hatóságokhoz.

Portuguese

Este produto está classificado como Equipamento Elétrico e Eletrónico. Quando tiver que eliminar este produto, assegure-se de que não o mistura com o lixo doméstico geral. Para informação sobre tratamento adequado, recuperação e reciclagem, entregue este produto num ponto de recolha designado. Contacte a sua autoridade local para mais detalhes sobre o ponto de recolha mais próximo de si.